

CONTENT

A00~39

M8

M8

B00~91

M12

M12

C00~26

7/8"

7/8"

D00~15

M16

M16

E00~27

M23

M23

F00~21

Valve connectors

阀式连接器

G00~27

SPLITTERS & JUNCTION BOX

分支器&分线盒

H00~67

EtherNet & ProfiNet & EtherCat

E-Net & P-Net

I00~21

Profibus-DP

Profibus-DP

J00~38

DeviceNet

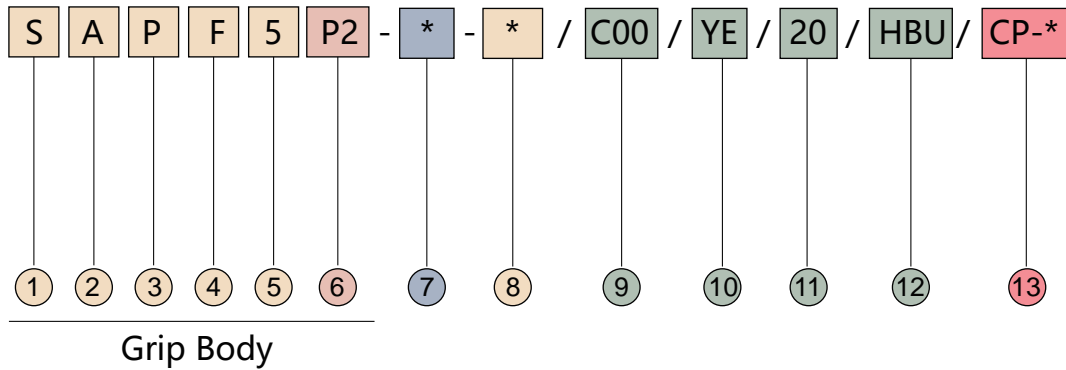
DeviceNet

K00~19

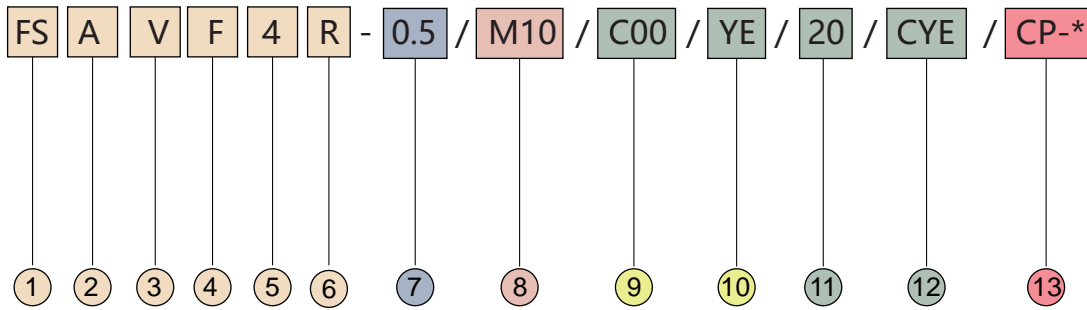
CC-LINK

CC-LINK

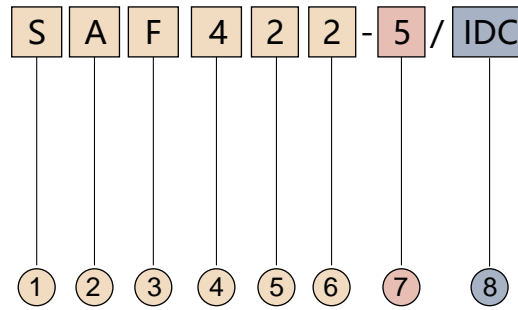
M8 CONNECTOR



- ① S = M8, Straight
SW = M8, Right angle
- ② A-code D-code
B-code P-code
- ③ Blank = Zinc die-cast, nickel-plated
V = Stainless steel nut
P = Plastic nut
- ④ M = Male
F = Female
- ⑤ Number of pins
Contact distribution
- ⑥ LED indicator
Blank = Without LED
P2 = PNP LED:
Pin1 (Power) =GN, Pin4=YE
NPN, LED, Number and Color refer to PNP
- ⑦ Length(M)
Can be customized
With 0.1M as increment
The shortest length is 0.2M.
- ⑧ Single-ended = Blank
Double-ended = part number key refer to "Grip Body"
- ⑨ Reference cable code
- ⑩ Color of cable
Blank = Standard color
Customized cable color
YE = Yellow
GY = Gray
- ⑪ Wire gauge
Blank = Standard wire gauge
Customized wire gauge
24 24AWG: 0.25 mm²
22 22AWG: 0.34 mm²
....
- ⑫ Color of plug body
Blank = Standard color (Yellow)
Customized plug body color
HBK Black
HBU Blue
- ⑬ Customized products
* = Customized code



- | | |
|---|---|
| <p>① M8 Receptacle connector</p> <p>② A-code B-code
P-code D-code</p> <p>③ Blank = Zinc die-cast, nickel-plated
V = Stainless steel nut
P = Plastic nut</p> <p>④ M = Male
F = Female</p> <p>⑤ Number of pins</p> <p>⑥ R = Rear mounting
F = Front mounting
M = Front mount, rotating coupling nut</p> <p>⑦ Cable Length(M)
0.5 = Cable length 0.5M
 Can be customized
L = Solder cup
C = Crimp connection
P = PCB mounting
PS = PCB mounting with shield
PW = PCB angled mounting with bracket
PWS = PCB angled mounting with bracket & shield
PT = PCB mounting with bracket
PTS = PCB mounting with bracket & shield</p> | <p>⑧ Mounting thread
Blank = M8×0.5
M10 = M10×1
M12 = M12×1</p> <p>⑨ Reference cable code
Blank = Non Pre-moulding connector</p> <p>⑩ Color of cable jacket
Blank = Standard color
Item 10 can only be defined when item 9 is selected</p> <p>⑪ Wire gauge
Blank = Standard wire gauge
Customized wire gauge
24 24AWG: 0.25 mm²
22 22AWG: 0.34 mm²
....</p> <p>⑫ Color of contact carrier
Blank = Standard color (Black)
CYE = Yellow contact carrier
CGN = Green contact carrier
CVT = Violet contact carrier</p> <p>⑬ Customized products
* = Customized code</p> |
|---|---|



- ① S = M8, Straight
SW = M8, Right angle
- ② A-code B-code
P-code D-code
- ③ M = Male
F = Female
- ④ Number of pins
Contact distribution
- ⑤ 1 = Ag plated brass
2 = Au plated brass
- ⑥ Housing material
1 = Plastic housing, plastic coupling nut
2 = Plastic housing, metal coupling nut
3 = Plastic housing, stainless steel coupling nut
4 = Transparent plastic housing, plastic coupling nut
8 = Metal housing
9 = Stainless steel housing
- ⑦ Cable Installation Dimensions
5 = 3.5~5 mm
(Acceptable cable diameter 3.5-5 mm)
5.5 = 3.5~5.5 mm
(Acceptable cable diameter 3.5-5.5 mm)
- ⑧ Connection cable
Blank = Screw connection
C = Crimp connection
L = Solder connection
P = Piercecon connection
S = Spring clamp connection
IDC = Insulation displacement contact

M8

M12

7/8"

M16

M23

阀式连接器

分支器&分线盒

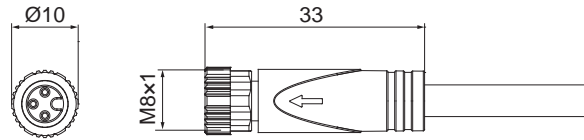
E-Net & P-Net

Profibus-DP

DeviceNet

CC-LINK

M8 Female, Pre-moulding connector, Anti-vibration



Technical data

- Plug body: TPU/Yellow
- Coupling nut: Zinc/Nickel-plated
- Contact carrier: TPU+GF/Black
- Pin: Brass/Gold-plated
- O-ring: FPM/FKM
- Insulation resistance: $\geq 100M\Omega$
- Forward resistance: $\leq 5m\Omega$
- Degree of pollution: 3
- Ambient temperature: $-25\sim +85^{\circ}C$
- Degree of protection: IP67
- Plug: M8x1
- Coding: A-CODE/B-CODE
- Insertion/withdrawal cycles: ≥ 100
- Standards: IEC 61076-2-104
- Torque : 0.2 Nm (M8 Plug connector)
- Cable: Refer to cable specification for detailed data

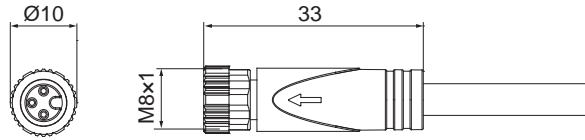
Key Commercial Data

- Weight: 3Pin/6g, 4Pin/6.3g (excluding cable)
- Packing unit: 2M/10PCS/Bag, 5M/5PCS/Bag, 10M/1PCS/Bag
- Small package (200×150×100) , Medium (330×250×150) , Large (400×300×230) mm

Type No.	ID No.	Length	Angle	Coding	Current	Voltage	Wire gauge	Pinout	Wire colors
SAF3-2/C00	10080007	2M	Straight	A-CODE	3A	60V	3×0.25 (3×24AWG) Black PVC, OD=4.4 No.: 19800048		1 = BN 3 = BU 4 = BK
SAF3-5/C00	10080008	5M							
SAF3-10/C00	10080009	10M							
SAF4-2/C00	10080010	2M	Straight	A-CODE	3A	60V	4×0.25 (4×24AWG) Black PVC, OD=4.4 No.: 19800049		1 = BN 2 = WH 3 = BU 4 = BK
SAF4-5/C00	10080011	5M							
SAF4-10/C00	10080012	10M							
SBF5-2/C00	10080350	2M	Straight	B-CODE	3A	30V	5×0.25 (5×24AWG) Black PVC, OD=4.7 No.: 19800136		1 = BN 2 = WH 3 = BU 4 = BK 5 = GY
SBF5-5/C00	10080351	5M							
SBF5-10/C00	10080352	10M							
SAF6-2/C00	10080353	2M	Straight	A-CODE	2A	30V	6×0.14 (6×26AWG) Black PVC, OD=5.0 No.: 19800137		1 = BN 2 = WH 3 = BU 4 = BK 5 = GY 6 = PK
SAF6-5/C00	10080354	5M							
SAF6-10/C00	10080355	10M							

* Standard cable lengths are 2/5/10M, Consult factory for other lengths. Optional cable C00: fixed installation of PVC, C10: fixed installation of oil-resistant PUR, C13: drag chain installation of PUR.

M8 Female, Pre-moulding connector, Anti-vibration



Technical data

- Plug body: TPU/Yellow
- Coupling nut: Zinc/Nickel-plated
- Contact carrier: TPU+GF/Black
- Pin: Brass/Gold-plated
- O-ring: FPM/FKM
- Insulation resistance: $\geq 100M\Omega$
- Forward resistance: $\leq 5m\Omega$
- Degree of pollution: 3
- Ambient temperature: $-25\sim +85^{\circ}C$
- Degree of protection: IP67
- Plug: M8x1
- Coding: A-CODE
- Insertion/withdrawal cycles: ≥ 100
- Standards: IEC 61076-2-104
- Torque: 0.2 Nm (M8 Plug connector)
- Cable: Refer to cable specification for detailed data

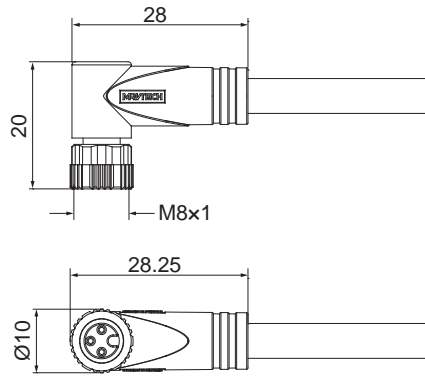
Key Commercial Data

- Packing unit: 2M/10PCS/Bag, 5M/5PCS/Bag, 10M/1PCS/Bag
- Small package (200×150×100), Medium (330×250×150), Large (400×300×230) mm

Type No.	ID No.	Length	Angle	Coding	Current	Voltage	Wire gauge	Pinout	Wire colors
SAF8-2/C00	10080356	2M	Straight	A-CODE	1.5A	30V	8×0.14 (8×26AWG) Black PVC, OD=5.0 No.: 19800138		1 = WH
SAF8-5/C00	10080357	5M							2 = BN
SAF8-10/C00	10080358	10M							3 = GN
									4 = YE
									5 = GY
									6 = PK
									7 = BU
									8 = RD

* Standard cable lengths are 2/5/10M, Consult factory for other lengths. Optional cable C00: fixed installation of PVC, C10: fixed installation of oil-resistant PUR, C13: drag chain installation of PUR.

M8 Right angle Female, Pre-moulding connector, Anti-vibration



Technical data

- Plug body: TPU/Yellow
- Coupling nut: Zinc/Nickel-plated
- Contact carrier: TPU+GF/Black
- Pin: Brass/Gold-plated
- O-ring: FPM/FKM
- Insulation resistance: $\geq 100M\Omega$
- Forward resistance: $\leq 5m\Omega$
- Degree of pollution: 3
- Ambient temperature: $-25\sim +85^{\circ}C$
- Degree of protection: IP67
- Plug: M8×1
- Coding: A-CODE/B-CODE
- Insertion/withdrawal cycles: ≥ 100
- Standards: IEC 61076-2-104
- Torque: 0.2 Nm (M8 Plug connector)
- Cable: Refer to cable specification for detailed data

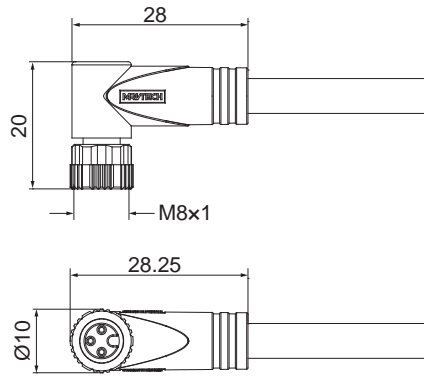
Key Commercial Data

- Weight: 3Pin/7g, 4Pin/7.3g (excluding cable)
- Packing unit: 2M/10PCS/Bag, 5M/5PCS/Bag, 10M/1PCS/Bag
- Small package (200×150×100), Medium (330×250×150), Large (400×300×230) mm

Type No.	ID No.	Length	Angle	Coding	Current	Voltage	Wire gauge	Pinout	Wire colors
SWAF3-2/C00	10080013	2M	Right angle	A-CODE	3A	60V	3×0.25 (3×24AWG) Black PVC, OD=4.4 No.: 19800048		1 = BN 3 = BU 4 = BK
SWAF3-5/C00	10080014	5M							
SWAF3-10/C00	10080015	10M							
SWAF4-2/C00	10080016	2M	Right angle	A-CODE	3A	60V	4×0.25 (4×24AWG) Black PVC, OD=4.4 No.: 19800049		1 = BN 2 = WH 3 = BU 4 = BK
SWAF4-5/C00	10080017	5M							
SWAF4-10/C00	10080018	10M							
SWBF5-2/C00	10080359	2M	Right angle	B-CODE	3A	30V	5×0.25 (5×24AWG) Black PVC, OD=4.7 No.: 19800136		1 = BN 2 = WH 3 = BU 4 = BK 5 = GY
SWBF5-5/C00	10080360	5M							
SWBF5-10/C00	10080361	10M							
SWAF6-2/C00	10080362	2M	Right angle	A-CODE	2A	30V	6×0.14 (6×26AWG) Black PVC, OD=5.0 No.: 19800137		1 = BN 2 = WH 3 = BU 4 = BK 5 = GY 6 = PK
SWAF6-5/C00	10080363	5M							
SWAF6-6/C00	10080364	10M							

* Standard cable lengths are 2/5/10M, Consult factory for other lengths. Optional cable C00: fixed installation of PVC, C10: fixed installation of oil-resistant PUR, C13: drag chain installation of PUR.

M8 Right angle Female, Pre-moulding connector, Anti-vibration



Technical data

- Plug body: TPU/Yellow
- Coupling nut: Zinc/Nickel-plated
- Contact carrier: TPU+GF/Black
- Pin: Brass/Gold-plated
- O-ring: FPM/FKM
- Insulation resistance: $\geq 100M\Omega$
- Forward resistance: $\leq 5m\Omega$
- Degree of pollution: 3
- Ambient temperature: $-25\sim +85^{\circ}C$
- Degree of protection: IP67
- Plug: M8x1
- Coding: A-CODE
- Insertion/withdrawal cycles: ≥ 100
- Standards: IEC 61076-2-104
- Torque: 0.2 Nm (M8 Plug connector)
- Cable: Refer to cable specification for detailed data

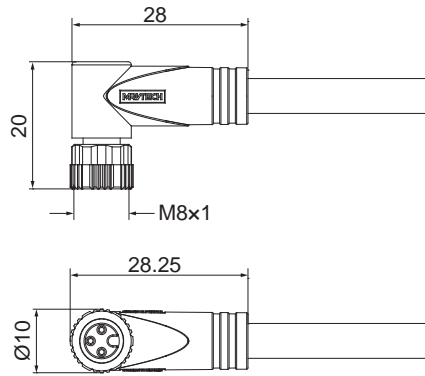
Key Commercial Data

- Packing unit: 2M/10PCS/Bag, 5M/5PCS/Bag, 10M/1PCS/Bag
- Small package (200×150×100), Medium (330×250×150), Large (400×300×230) mm

Type No.	ID No.	Length	Angle	Coding	Current	Voltage	Wire gauge	Pinout	Wire colors
SWAF8-2/C00	10080365	2M	Right angle	A-CODE	1.5A	30V	8×0.14 (8×26AWG) Black PVC, OD=5.0 No.: 19800138		1 = WH
SWAF8-5/C00	10080366	5M							2 = BN
SWAF8-10/C00	10080367	10M							3 = GN
									4 = YE
									5 = GY
									6 = PK
									7 = BU
									8 = RD

* Standard cable lengths are 2/5/10M, Consult factory for other lengths. Optional cable C00: fixed installation of PVC, C10: fixed installation of oil-resistant PUR, C13: drag chain installation of PUR.

M8 Right angle Female with LEDs, Pre-moulding connector, Anti-vibration



Technical data

- Plug body: TPU/Lucency
- Coupling nut: Zinc/Nickel-plated
- Contact carrier: TPU+GF/Black
- Pin: Brass/Gold-plated
- O-ring: FPM/FKM
- Insulation resistance: $\geq 100M\Omega$
- Forward resistance: $\leq 5m\Omega$
- Degree of pollution: 3
- Ambient temperature: $-25\sim +85^{\circ}C$
- Degree of protection: IP67
- Plug: M8x1
- Coding: A-CODE
- Insertion/withdrawal cycles: ≥ 100
- Standards: IEC 61076-2-104
- Torque: 0.2 Nm (M8 Plug connector)
- Cable: Refer to cable specification for detailed data

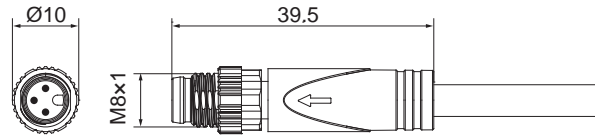
Key Commercial Data

- Packing unit: 2M/10PCS/Bag, 5M/5PCS/Bag, 10M/1PCS/Bag
- Small package (200×150×100), Medium (330×250×150), Large (400×300×230) mm

Type No.	ID No.	Length	Angle	Coding	Current	Voltage	Wire gauge	Pinout	Wire colors
SWAF3P2-2/C00	10080042	2M	Right angle	A-CODE	3A	60V	3×0.25 (3×24AWG) Black PVC, OD=4.4 No.: 19800050		
SWAF3P2-5/C00	10080043	5M							
SWAF3P2-10/C00	10080044	10M							
SWAF4P2-2/C00	10080045	2M	Right angle	A-CODE	3A	60V	4×0.25 (4×24AWG) Black PVC, OD=4.4 No.: 19800051		
SWAF4P2-5/C00	10080046	5M							
SWAF4P2-10/C00	10080047	10M							

* Standard cable lengths are 2/5/10M, Consult factory for other lengths. Optional cable C00: fixed installation of PVC, C10: fixed installation of oil-resistant PUR, C13: drag chain installation of PUR.

M8 Male, Pre-moulding connector, Anti-vibration



Technical data

- Plug body: TPU/Yellow
- Coupling nut: Zinc/Nickel-plated
- Contact carrier: TPU+GF/Black
- Pin: Brass/Gold-plated
- O-ring: FPM/FKM
- Insulation resistance: $\geq 100M\Omega$
- Forward resistance: $\leq 5m\Omega$
- Degree of pollution: 3
- Ambient temperature: $-25\sim +85^{\circ}C$
- Degree of protection: IP67
- Plug: M8x1
- Coding: A-CODE/B-CODE
- Insertion/withdrawal cycles: ≥ 100
- Standards: IEC 61076-2-104
- Torque: 0.2 Nm (M8 Plug connector)
- Cable: Refer to cable specification for detailed data

Key Commercial Data

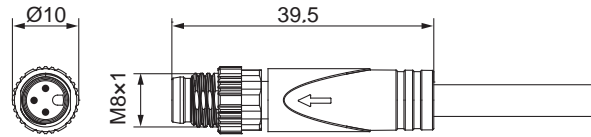
- Weight: 3Pin/7g, 4Pin/7.3g (excluding cable)
- Packing unit: 2M/10PCS/Bag, 5M/5PCS/Bag, 10M/1PCS/Bag
Small package (200×150×100), Medium (330×250×150), Large (400×300×230) mm

Type No.	ID No.	Length	Angle	Coding	Current	Voltage	Wire gauge	Pinout	Wire colors
SAM3-2/C00	10080019	2M	Straight	A-CODE	3A	60V	3×0.25 (3×24AWG) Black PVC, OD=4.4 No.: 19800048		1 = BN 3 = BU 4 = BK
SAM3-5/C00	10080020	5M							
SAM3-10/C00	10080021	10M							
SAM4-2/C00	10080022	2M	Straight	A-CODE	3A	60V	4×0.25 (4×24AWG) Black PVC, OD=4.4 No.: 19800049		1 = BN 2 = WH 3 = BU 4 = BK
SAM4-5/C00	10080023	5M							
SAM4-10/C00	10080024	10M							
SBM5-2/C00	10080368	2M	Straight	B-CODE	3A	30V	5×0.25 (5×24AWG) Black PVC, OD=4.7 No.: 19800136		1 = BN 2 = WH 3 = BU 4 = BK 5 = GY
SBM5-5/C00	10080369	5M							
SBM5-10/C00	10080370	10M							
SAM6-2/C00	10080371	2M	Straight	A-CODE	2A	30V	6×0.14 (6×26AWG) Black PVC, OD=5.0 No.: 19800137		1 = BN 2 = WH 3 = BU 4 = BK 5 = GY 6 = PK
SAM6-5/C00	10080372	5M							
SAM6-10/C00	10080373	10M							

* Standard cable lengths are 2/5/10M, Consult factory for other lengths. Optional cable C00: fixed installation of PVC, C10: fixed installation of oil-resistant PUR, C13: drag chain installation of PUR.

M8 M12 7/8" M16 M23 CC-LINK DeviceNet Profibus-DP E-Net & P-Net 分支器&分线盒 阀式连接器

M8 Male, Pre-moulding connector, Anti-vibration



Technical data

- Plug body: TPU/Yellow
- Coupling nut: Zinc/Nickel-plated
- Contact carrier: TPU+GF/Black
- Pin: Brass/Gold-plated
- O-ring: FPM/FKM
- Insulation resistance: $\geq 100M\Omega$
- Forward resistance: $\leq 5m\Omega$
- Degree of pollution: 3
- Ambient temperature: $-25\sim +85^{\circ}C$
- Degree of protection: IP67
- Plug: M8x1
- Coding: A-CODE
- Insertion/withdrawal cycles: ≥ 100
- Standards: IEC 61076-2-104
- Torque: 0.2 Nm (M8 Plug connector)
- Cable: Refer to cable specification for detailed data

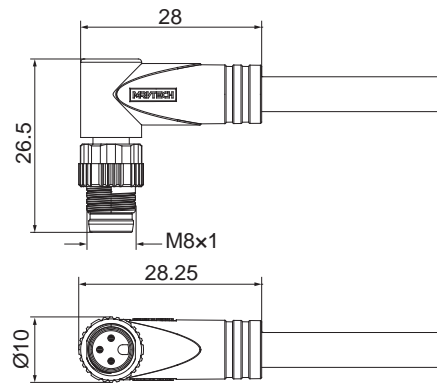
Key Commercial Data

- Packing unit: 2M/10PCS/Bag, 5M/5PCS/Bag, 10M/1PCS/Bag
- Small package (200×150×100) , Medium (330×250×150) , Large (400×300×230) mm

Type No.	ID No.	Length	Angle	Coding	Current	Voltage	Wire gauge	Pinout	Wire colors
SAM8-2/C00	10080374	2M	Straight	A-CODE	1.5A	30V	8×0.14 (8×26AWG) Black PVC, OD=5.0 No.: 19800138		1 = WH
SAM8-5/C00	10080375	5M							2 = BN
SAM8-10/C00	10080376	10M							3 = GN
									4 = YE
									5 = GY
									6 = PK
									7 = BU
									8 = RD

* Standard cable lengths are 2/5/10M, Consult factory for other lengths. Optional cable C00: fixed installation of PVC, C10: fixed installation of oil-resistant PUR, C13: drag chain installation of PUR.

M8 Right angle Male, Pre-moulding connector, Anti-vibration



Technical data

- Plug body: TPU/Yellow
- Coupling nut: Zinc/Nickel-plated
- Contact carrier: TPU+GF/Black
- Pin: Brass/Gold-plated
- O-ring: FPM/FKM
- Insulation resistance: $\geq 100M\Omega$
- Forward resistance: $\leq 5m\Omega$
- Degree of pollution: 3
- Ambient temperature: $-25\sim +85^{\circ}C$
- Degree of protection: IP67
- Plug: M8x1
- Coding: A-CODE/B-CODE
- Insertion/withdrawal cycles: ≥ 100
- Standards: IEC 61076-2-104
- Torque: 0.2 Nm (M8 Plug connector)
- Cable: Refer to cable specification for detailed data

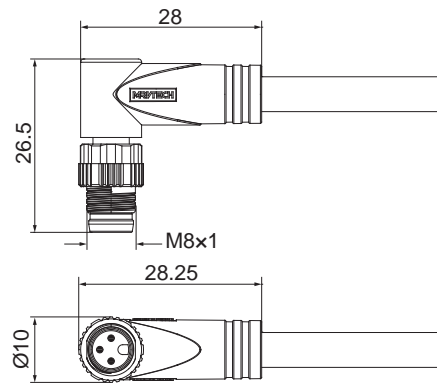
Key Commercial Data

- Weight: 3Pin/8g, 4Pin/8.3g (excluding cable)
- Packing unit: 2M/10PCS/Bag, 5M/5PCS/Bag, 10M/1PCS/Bag
Small package (200x150x100), Medium (330x250x150), Large (400x300x230) mm

Type No.	ID No.	Length	Angle	Coding	Current	Voltage	Wire gauge	Pinout	Wire colors
SWAM3-2/C00	10080025	2M	Right angle	A-CODE	3A	60V	3x0.25 (3x24AWG) Black PVC, OD=4.4 No.: 19800048		1 = BN 3 = BU 4 = BK
SWAM3-5/C00	10080026	5M							
SWAM3-10/C00	10080027	10M							
SWAM4-2/C00	10080028	2M	Right angle	A-CODE	3A	60V	4x0.25 (4x24AWG) Black PVC, OD=4.4 No.: 19800049		1 = BN 2 = WH 3 = BU 4 = BK
SWAM4-5/C00	10080029	5M							
SWAM4-10/C00	10080030	10M							
SWBM5-2/C00	10080377	2M	Right angle	B-CODE	3A	30V	5x0.25 (5x24AWG) Black PVC, OD=4.7 No.: 19800136		1 = BN 2 = WH 3 = BU 4 = BK 5 = GY
SWBM5-5/C00	10080378	5M							
SWBM5-10/C00	10080379	10M							
SWAM6-2/C00	10080380	2M	Right angle	A-CODE	2A	30V	6x0.14 (6x26AWG) Black PVC, OD=5.0 No.: 19800137		1 = BN 2 = WH 3 = BU 4 = BK 5 = GY 6 = PK
SWAM6-5/C00	10080381	5M							
SWAM6-10/C00	10080382	10M							

* Standard cable lengths are 2/5/10M, Consult factory for other lengths. Optional cable C00: fixed installation of PVC, C10: fixed installation of oil-resistant PUR, C13: drag chain installation of PUR.

M8 Right angle Male, Pre-moulding connector, Anti-vibration



Technical data

- Plug body: TPU/Yellow
- Coupling nut: Zinc/Nickel-plated
- Contact carrier: TPU+GF/Black
- Pin: Brass/Gold-plated
- O-ring: FPM/FKM
- Insulation resistance: $\geq 100M\Omega$
- Forward resistance: $\leq 5m\Omega$
- Degree of pollution: 3
- Ambient temperature: $-25\sim +85^{\circ}C$
- Degree of protection: IP67
- Plug: M8x1
- Coding: A-CODE
- Insertion/withdrawal cycles: ≥ 100
- Standards: IEC 61076-2-104
- Torque: 0.2 Nm (M8 Plug connector)
- Cable: Refer to cable specification for detailed data

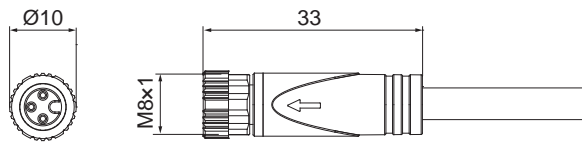
Key Commercial Data

- Packing unit: 2M/10PCS/Bag, 5M/5PCS/Bag, 10M/1PCS/Bag
- Small package (200×150×100) , Medium (330×250×150) , Large (400×300×230) mm

Type No.	ID No.	Length	Angle	Coding	Current	Voltage	Wire gauge	Pinout	Wire colors
SWAM8-2/C00	10080383	2M	Right angle	A-CODE	1.5A	30V	8×0.14 (8×26AWG) Black PVC, OD=5.0 No.: 19800138		1 = WH
SWAM8-5/C00	10080384	5M							2 = BN
SWAM8-10/C00	10080385	10M							3 = GN
									4 = YE
									5 = GY
									6 = PK
									7 = BU
									8 = RD

* Standard cable lengths are 2/5/10M, Consult factory for other lengths. Optional cable C00: fixed installation of PVC, C10: fixed installation of oil-resistant PUR, C13: drag chain installation of PUR.

M8 Female, Pre-moulding connector, Anti-vibration, shielded



Technical data

- Plug body: TPU/Yellow
- Coupling nut: Zinc/Nickel-plated
- Contact carrier: TPU+GF/Black
- Pin: Brass/Gold-plated
- O-ring: FPM/FKM
- Insulation resistance: $\geq 100M\Omega$
- Forward resistance: $\leq 5m\Omega$
- Degree of pollution: 3
- Ambient temperature: $-25\sim +85^{\circ}C$
- Degree of protection: IP67
- Plug: M8×1
- Coding: A-CODE/B-CODE
- Insertion/withdrawal cycles: ≥ 100
- Standards: IEC 61076-2-104
- Torque: 0.2 Nm (M8 Plug connector)
- Cable: Refer to cable specification for detailed data

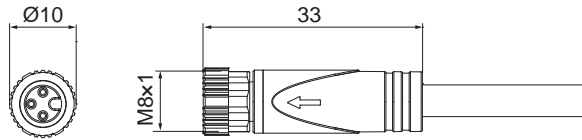
Key Commercial Data

- Weight: 3Pin/9g, 4Pin/9.3g (excluding cable)
- Packing unit: 2M/10PCS/Bag, 5M/5PCS/Bag, 10M/1PCS/Bag
Small package (200×150×100), Medium (330×250×150), Large (400×300×230) mm

Type No.	ID No.	Length	Angle	Coding	Current	Voltage	Wire gauge	Pinout	Wire colors
SAF3-2/S00	10080031	2M	Straight	A-CODE	3A	60V	3×0.25 (3×24AWG) Black shielded PVC,OD=4.4 No.: 19800050		1 = BN 3 = BU 4 = BK
SAF3-5/S00	10080032	5M							
SAF3-10/S00	10080033	10M							
SAF4-2/S00	10080034	2M	Straight	A-CODE	3A	60V	4×0.25 (4×24AWG) Black shielded PVC,OD=4.4 No.: 19800051		1 = BN 2 = WH 3 = BU 4 = BK
SAF4-5/S00	10080035	5M							
SAF4-10/S00	10080036	10M							
SBF5-2/S00	10080386	2M	Straight	B-CODE	3A	30V	5×0.25 (5×24AWG) Black shielded PVC,OD=5.2 No.: 19800139		1 = BN 2 = WH 3 = BU 4 = BK 5 = GY
SBF5-5/S00	10080387	5M							
SBF5-10/S00	10080388	10M							
SAF6-2/S00	10080389	2M	Straight	A-CODE	2A	30V	6×0.14 (6×26AWG) Black shielded PVC,OD=5.2 No.: 19800140		1 = BN 2 = WH 3 = BU 4 = BK 5 = GY 6 = PK
SAF6-5/S00	10080390	5M							
SAF6-10/S00	10080391	10M							

* Standard cable lengths are 2/5/10M, Consult factory for other lengths. Optional cable S00: fixed installation shielded of PVC, S13: drag chain installation shielded of PUR.

M8 Female, Pre-moulding connector, Anti-vibration, shielded



Technical data

- Plug body: TPU/Yellow
- Coupling nut: Zinc/Nickel-plated
- Contact carrier: TPU+GF/Black
- Pin: Brass/Gold-plated
- O-ring: FPM/FKM
- Insulation resistance: $\geq 100M\Omega$
- Forward resistance: $\leq 5m\Omega$
- Forward resistance: 3
- Ambient temperature: $-25\sim +85^{\circ}C$
- Degree of protection: IP67
- Plug: M8x1
- Coding: A-CODE
- Insertion/withdrawal cycles: ≥ 100
- Standards: IEC 61076-2-104
- Torque: 0.2 Nm (M8 Plug connector)
- Cable: Refer to cable specification for detailed data

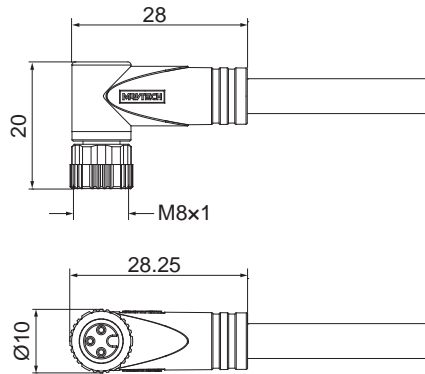
Key Commercial Data

- Packing unit: 2M/10PCS/Bag, 5M/5PCS/Bag, 10M/1PCS/Bag
- Small package (200×150×100) , Medium (330×250×150) , Large (400×300×230) mm

Type No.	ID No.	Length	Angle	Coding	Current	Voltage	Wire gauge	Pinout	Wire colors
SAF8-2/S00	10080392	2M	Straight	A-CODE	1.5A	30V	8×0.14 (8×26AWG) Black shielded PVC,OD=5.4 No.: 19800141		1 = WH
SAF8-5/S00	10080393	5M							2 = BN
SAF8-10/S00	10080394	10M							3 = GN
									4 = YE
									5 = GY
									6 = PK
									7 = BU
									8 = RD

* Standard cable lengths are 2/5/10M, Consult factory for other lengths. Optional cable S00: fixed installation shielded of PVC, S13: drag chain installation shielded of PUR.

M8 Right angle Female, Pre-moulding connector, Anti-vibration, shielded



Technical data

- Plug body: TPU/Yellow
- Coupling nut: Zinc/Nickel-plated
- Contact carrier: TPU+GF/Black
- Pin: Brass/Gold-plated
- O-ring: FPM/FKM
- Insulation resistance: $\geq 100M\Omega$
- Forward resistance: $\leq 5m\Omega$
- Degree of pollution: 3
- Ambient temperature: $-25\sim +85^{\circ}C$
- Degree of protection: IP67
- Plug: M8x1
- Coding: A-CODE/B-CODE
- Insertion/withdrawal cycles: ≥ 100
- Standards: IEC 61076-2-104
- Torque: 0.2 Nm (M8 Plug connector)
- Cable: Refer to cable specification for detailed data

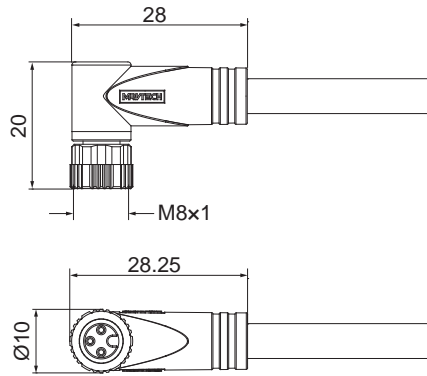
Key Commercial Data

- Weight: 3Pin/10g, 4Pin/10.3g (excluding cable)
- Packing unit: 2M/10PCS/Bag, 5M/5PCS/Bag, 10M/1PCS/Bag
Small package (200x150x100), Medium (330x250x150), Large (400x300x230) mm

Type No.	ID No.	Length	Angle	Coding	Current	Voltage	Wire gauge	Pinout	Wire colors
SWAF3-2/S00	10080037	2M	Right angle	A-CODE	3A	60V	3x0.25 (3x24AWG) Black shielded PVC,OD=4.4 No.: 19800050		1 = BN 3 = BU 4 = BK
SWAF3-5/S00	10080038	5M							
SWAF3-10/S00	10080039	10M							
SWAF4-2/S00	10080040	2M	Right angle	A-CODE	3A	60V	4x0.25 (4x24AWG) Black shielded PVC,OD=4.4 No.: 19800051		1 = BN 2 = WH 3 = BU 4 = BK
SWAF4-5/S00	10080041	5M							
SWAF4-10/S00	10080042	10M							
SWBF5-2/S00	10080395	2M	Right angle	B-CODE	3A	30V	5x0.25 (5x24AWG) Black shielded PVC,OD=5.2 No.: 19800139		1 = BN 2 = WH 3 = BU 4 = BK 5 = GY
SWBF5-5/S00	10080396	5M							
SWBF5-10/S00	10080397	10M							
SWAF6-2/S00	10080398	2M	Right angle	A-CODE	2A	30V	6x0.14 (6x26AWG) Black shielded PVC,OD=5.2 No.: 19800140		1 = BN 2 = WH 3 = BU 4 = BK 5 = GY 6 = PK
SWAF6-5/S00	10080399	5M							
SWAF6-10/S00	10080400	10M							

* Standard cable lengths are 2/5/10M, Consult factory for other lengths. Optional cable S00: fixed installation shielded of PVC, S13: drag chain installation shielded of PUR.

M8 Right angle Female, Pre-moulding connector, Anti-vibration, shielded



Technical data

- Plug body: TPU/Yellow
- Coupling nut: Zinc/Nickel-plated
- Contact carrier: TPU+GF/Black
- Pin: Brass/Gold-plated
- O-ring: FPM/FKM
- Insulation resistance: $\geq 100M\Omega$
- Forward resistance: $\leq 5m\Omega$
- Degree of pollution: 3
- Ambient temperature: $-25\sim +85^{\circ}C$
- Degree of protection: IP67
- Plug: M8x1
- Coding: A-CODE
- Insertion/withdrawal cycles: ≥ 100
- Standards: IEC 61076-2-104
- Torque: 0.2 Nm (M8 Plug connector)
- Cable: Refer to cable specification for detailed data

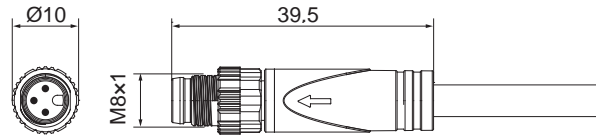
Key Commercial Data

- Packing unit: 2M/10PCS/Bag, 5M/5PCS/Bag, 10M/1PCS/Bag
Small package (200×150×100), Medium (330×250×150), Large (400×300×230) mm

Type No.	ID No.	Length	Angle	Coding	Current	Voltage	Wire gauge	Pinout	Wire colors
SWAF8-2/S00	10080401	2M	Right angle	A-CODE	1.5A	30V	8×0.14 (8×26AWG) Black shielded PVC,OD=5.4 No.: 19800141		1 = WH
SWAF8-5/S00	10080402	5M							2 = BN
SWAF8-10/S00	10080403	10M							3 = GN
									4 = YE
									5 = GY
									6 = PK
									7 = BU
									8 = RD

* Standard cable lengths are 2/5/10M, Consult factory for other lengths. Optional cable S00: fixed installation shielded of PVC, S13: drag chain installation shielded of PUR.

M8 Male, Pre-moulding connector, Anti-vibration, shielded



Technical data

- Plug body: TPU/Yellow
- Coupling nut: Zinc/Nickel-plated
- Contact carrier: TPU+GF/Black
- Pin: Brass/Gold-plated
- O-ring: FPM/FKM
- Insulation resistance: $\geq 100M\Omega$
- Forward resistance: $\leq 5m\Omega$
- Degree of pollution: 3
- Ambient temperature: $-25\sim +85^{\circ}C$
- Degree of protection: IP67
- Plug: M8x1
- Coding: A-CODE/B-CODE
- Insertion/withdrawal cycles: ≥ 100
- Standards: IEC 61076-2-104
- Torque: 0.2 Nm (M8 Plug connector)
- Cable: Refer to cable specification for detailed data

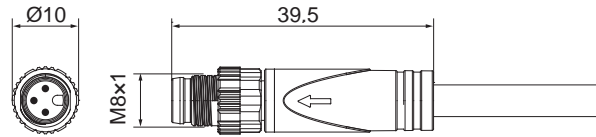
Key Commercial Data

- Weight: 3Pin/10g, 4Pin/10.3g (excluding cable)
- Packing unit: 2M/10PCS/Bag, 5M/5PCS/Bag, 10M/1PCS/Bag
Small package (200×150×100), Medium (330×250×150), Large (400×300×230) mm

Type No.	ID No.	Length	Angle	Coding	Current	Voltage	Wire gauge	Pinout	Wire colors
SAM3-2/S00	10080043	2M	Straight	A-CODE	3A	60V	3×0.25 (3×24AWG) Black shielded PVC,OD=4.4 No.: 19800050		1 = BN 3 = BU 4 = BK
SAM3-5/S00	10080044	5M							
SAM3-10/S00	10080045	10M							
SAM4-2/S00	10080046	2M	Straight	A-CODE	3A	60V	4×0.25 (4×24AWG) Black shielded PVC,OD=4.4 No.: 19800051		1 = BN 2 = WH 3 = BU 4 = BK
SAM4-5/S00	10080047	5M							
SAM4-10/S00	10080048	10M							
SBM5-2/S00	10080404	2M	Straight	B-CODE	3A	30V	5×0.25 (5×24AWG) Black shielded PVC,OD=5.2 No.: 19800139		1 = BN 2 = WH 3 = BU 4 = BK 5 = GY
SBM5-5/S00	10080405	5M							
SBM5-10/S00	10080406	10M							
SAM6-2/S00	10080407	2M	Straight	A-CODE	2A	30V	6×0.14 (6×26AWG) Black shielded PVC,OD=5.2 No.: 19800140		1 = BN 2 = WH 3 = BU 4 = BK 5 = GY 6 = PK
SAM6-5/S00	10080408	5M							
SAM6-10/S00	10080409	10M							

* Standard cable lengths are 2/5/10M, Consult factory for other lengths. Optional cable S00: fixed installation shielded of PVC, S13: drag chain installation shielded of PUR.

M8 Male, Pre-moulding connector, Anti-vibration, shielded



Technical data

- Plug body: TPU/Yellow
- Coupling nut: Zinc/Nickel-plated
- Contact carrier: TPU+GF/Black
- Pin: Brass/Gold-plated
- O-ring: FPM/FKM
- Insulation resistance: $\geq 100M\Omega$
- Forward resistance: $\leq 5m\Omega$
- Degree of pollution: 3
- Ambient temperature: $-25\sim +85^{\circ}C$
- Degree of protection: IP67
- Plug: M8x1
- Coding: A-CODE
- Insertion/withdrawal cycles: ≥ 100
- Standards: IEC 61076-2-104
- Torque: 0.2 Nm (M8 Plug connector)
- Cable: Refer to cable specification for detailed data

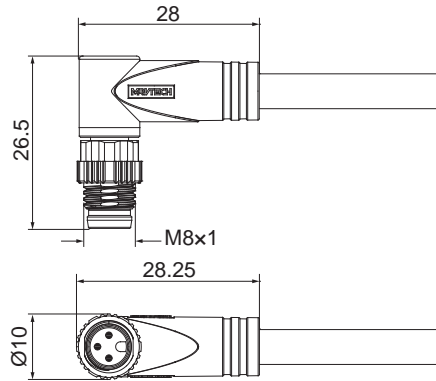
Key Commercial Data

- Packing unit: 2M/10PCS/Bag, 5M/5PCS/Bag, 10M/1PCS/Bag
Small package (200×150×100) , Medium (330×250×150) , Large (400×300×230) mm

Type No.	ID No.	Length	Angle	Coding	Current	Voltage	Wire gauge	Pinout	Wire colors
SAM8-2/S00	10080410	2M	Straight	A-CODE	1.5A	30V	8×0.14 (8×26AWG) Black shielded PVC,OD=5.4 No.: 19800141		1 = WH 2 = BN 3 = GN 4 = YE 5 = GY 6 = PK 7 = BU 8 = RD
SAM8-5/S00	10080411	5M							
SAM8-10/S00	10080412	10M							

* Standard cable lengths are 2/5/10M, Consult factory for other lengths. Optional cable S00: fixed installation shielded of PVC, S13: drag chain installation shielded of PUR

M8 Right angle Male, Pre-moulding connector, Anti-vibration, shielded



Technical data

- Plug body: TPU/Yellow
- Coupling nut: Zinc/Nickel-plated
- Contact carrier: TPU+GF/Black
- Pin: Brass/Gold-plated
- O-ring: FPM/FKM
- Insulation resistance: $\geq 100M\Omega$
- Forward resistance: $\leq 5m\Omega$
- Degree of pollution: 3
- Ambient temperature: $-25\sim +85^{\circ}C$
- Degree of protection: IP67
- Plug: M8x1
- Coding: A-CODE/B-CODE
- Insertion/withdrawal cycles: ≥ 100
- Standards: IEC 61076-2-104
- Torque: 0.2 Nm (M8 Plug connector)
- Cable: Refer to cable specification for detailed data

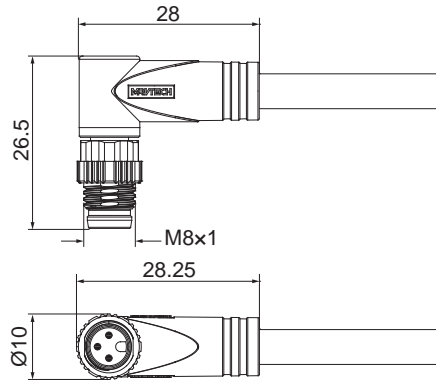
Key Commercial Data

- Weight: 3Pin/11g, 4Pin/11.3g (excluding cable)
- Packing unit: 2M/10PCS/Bag, 5M/5PCS/Bag, 10M/1PCS/Bag
- Small package (200x150x100), Medium (330x250x150), Large (400x300x230) mm

Type No.	ID No.	Length	Angle	Coding	Current	Voltage	Wire gauge	Pinout	Wire colors
SWAM3-2/S00	10080049	2M	Right angle	A-CODE	3A	60V	3x0.25 (3x24AWG) Black shielded PVC,OD=4.4 No.: 19800050		1 = BN 3 = BU 4 = BK
SWAM3-5/S00	10080050	5M							
SWAM3-10/S00	10080051	10M							
SWAM4-2/S00	10080052	2M	Right angle	A-CODE	3A	60V	4x0.25 (4x24AWG) Black shielded PVC,OD=4.4 No.: 19800051		1 = BN 2 = WH 3 = BU 4 = BK
SWAM4-5/S00	10080053	5M							
SWAM4-10/S00	10080054	10M							
SWBM5-2/S00	10080413	2M	Right angle	B-CODE	3A	30V	5x0.25 (5x24AWG) Black shielded PVC,OD=5.2 No.: 19800139		1 = BN 2 = WH 3 = BU 4 = BK 5 = GY
SWBM5-5/S00	10080414	5M							
SWBM5-10/S00	10080415	10M							
SWAM6-2/S00	10080416	2M	Right angle	A-CODE	2A	30V	6x0.14 (6x26AWG) Black shielded PVC,OD=5.2 No.: 19800140		1 = BN 2 = WH 3 = BU 4 = BK 5 = GY 6 = PK
SWAM6-5/S00	10080417	5M							
SWAM6-10/S00	10080418	10M							

* Standard cable lengths are 2/5/10M, Consult factory for other lengths. Optional cable S00: fixed installation shielded of PVC, S13: drag chain installation shielded of PUR.

M8 Right angle Male, Pre-moulding connector, Anti-vibration, shielded



Technical data

- Plug body: TPU/Yellow
- Coupling nut: Zinc/Nickel-plated
- Contact carrier: TPU+GF/Black
- Pin: Brass/Gold-plated
- O-ring: FPM/FKM
- Insulation resistance: $\geq 100M\Omega$
- Forward resistance: $\leq 5m\Omega$
- Degree of pollution: 3
- Ambient temperature: $-25\sim +85^{\circ}C$
- Degree of protection: IP67
- Plug: M8x1
- Coding: A-CODE
- Insertion/withdrawal cycles: ≥ 100
- Standards: IEC 61076-2-104
- Torque: 0.2 Nm (M8 Plug connector)
- Cable: Refer to cable specification for detailed data

Key Commercial Data

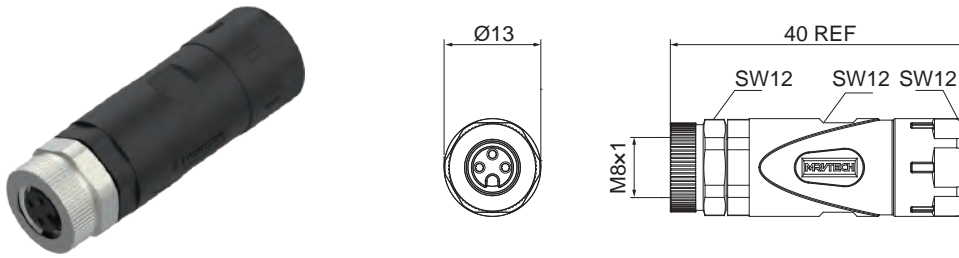
- Packing unit: 2M/10PCS/Bag, 5M/5PCS/Bag, 10M/1PCS/Bag
- Small package (200×150×100) , Medium (330×250×150) , Large (400×300×230) mm

Type No.	ID No.	Length	Angle	Coding	Current	Voltage	Wire gauge	Pinout	Wire colors
SWAM8-2/S00	10080419	2M	Right angle	A-CODE	1.5A	30V	8×0.14 (8×26AWG) Black shielded PVC,OD=5.4 No.: 19800141		1 = WH
SWAM8-5/S00	10080420	5M							2 = BN
SWAM8-10/S00	10080421	10M							3 = GN
									4 = YE
									5 = GY
									6 = PK
									7 = BU
									8 = RD

* Standard cable lengths are 2/5/10M, Consult factory for other lengths. Optional cable S00: fixed installation shielded of PVC, S13: drag chain installation shielded of PUR.

M8 A-code field wirable connector 3/4pins

M8 Female, Field wirable connector, Plastic housing, metal coupling nut



Technical data

- Housing material: PA66/Black
- Coupling nut: Zinc/Nickel-plated
- Contact carrier: PA66/Black
- Pin: Brass/Gold-plated
- O-ring: FPM/FKM
- Insulation resistance: $\geq 100M\Omega$
- Forward resistance: $\leq 5m\Omega$
- Degree of pollution: 3
- Ambient temperature: $-25\sim +85^{\circ}C$
- Degree of protection: IP67
- Plug: M8x1
- Coding: A-CODE
- Insertion/withdrawal cycles: ≥ 100
- Standards: IEC 61076-2-104
- Connection: Screw connection

Key Commercial Data

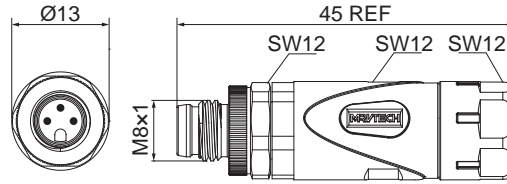
- Weight: 3Pin/17g; 4Pin/17.5g
- Packing unit: 1PCS/Bag
Small package (200x150x100) , Medium (330x250x150) , Large (400x300x230) mm

Type No.	ID No.	Connection	Coding	Current	Voltage	Wire gauge	Pinout
SAF322-5	11080003	Screw connection	A-CODE	4A	60V	0.14~0.5 mm ² Accept cable diameter: 3.5~5mm	
SAF422-5	11080002	Screw connection	A-CODE	4A	60V	0.14~0.5 mm ² Accept cable diameter: 3.5~5mm	

* M8 Field wirable connector *

M8
M12
7/8"
M16
M23
CC-LINK
DeviceNet
Profibus-DP
E-Net & P-Net
分支器&分线盒
阀式连接器

M8 Male, Field wirable connector, Plastic housing, metal coupling nut



Technical data

- Housing material: PA66/Black
- Coupling nut: Zinc/Nickel-plated
- Contact carrier: PA66/Black
- Pin: Brass/Gold-plated
- O-ring: FPM/FKM
- Insulation resistance: $\geq 100M\Omega$
- Forward resistance: $\leq 5m\Omega$
- Degree of pollution: 3
- Ambient temperature: $-25\sim +85^{\circ}C$
- Degree of protection: IP67
- Plug: M8x1
- Coding: A-CODE
- Insertion/withdrawal cycles: ≥ 100
- Standards: IEC 61076-2-104
- Connection: Screw connection

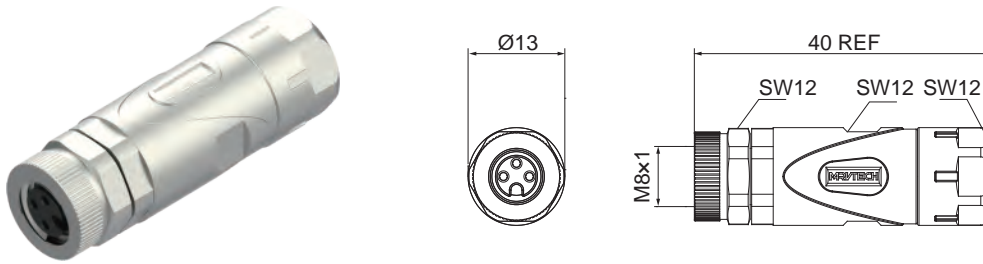
Key Commercial Data

- Weight: 3Pin/17g;4Pin/17.5g
- Packing unit: 1PCS/Bag
Small package (200x150x100) , Medium (330x250x150) , Large (400x300x230) mm

Type No.	ID No.	Connection	Coding	Current	Voltage	Wire gauge	Pinout
SAM322-5	11080000	Screw connection	A-CODE	4A	60V	0.14~0.5 mm ² Accept cable diameter: 3.5~5mm	
SAM422-5	11080001	Screw connection	A-CODE	4A	60V	0.14~0.5 mm ² Accept cable diameter: 3.5~5mm	

* M8 Field wirable connector *

M8 Female, Field wirable connector, Metal housing



Technical data

- Housing material: Zinc/Nickel-plated
- Coupling nut: Zinc/Nickel-plated
- Contact carrier: PA66/Black
- Pin: Brass/Gold-plated
- O-ring: FPM/FKM
- Insulation resistance: $\geq 100M\Omega$
- Forward resistance: $\leq 5m\Omega$
- Degree of pollution: 3
- Ambient temperature: $-25\sim +85^{\circ}C$
- Degree of protection: IP67
- Plug: M8x1
- Coding: A-CODE
- Insertion/withdrawal cycles: ≥ 100
- Standards: IEC 61076-2-104
- Connection: Screw connection

Key Commercial Data

- Weight: 3Pin/17g; 4Pin/17.5g
- Packing unit: 1PCS/Bag
Small package (200×150×100) , Medium (330×250×150) , Large (400×300×230) mm

Type No.	ID No.	Connection	Coding	Current	Voltage	Wire gauge	Pinout
SAF328-5.5	11080006	Screw connection	A-CODE	4A	60V	0.14~0.5 mm ² Accept cable diameter: 3.5~5.5mm	
SAF428-5.5	11080008	Screw connection	A-CODE	4A	60V	0.14~0.5 mm ² Accept cable diameter: 3.5~5.5mm	

* M8 Field wirable connector *

M8

M12

7/8"

M16

M23

CC-LINK

Profibus-DP

E-Net & P-Net

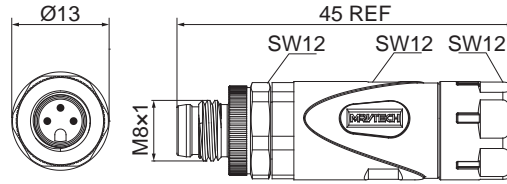
分支器 & 分线盒

阀式连接器

DeviceNet

CC-LINK

M8 Male, Field wirable connector, Metal housing



Technical data

- Housing material: Zinc/Nickel-plated
- Coupling nut: Zinc/Nickel-plated
- Contact carrier: PA66/Black
- Pin: Brass/Gold-plated
- O-ring: FPM/FKM
- Insulation resistance: $\geq 100M\Omega$
- Forward resistance: $\leq 5m\Omega$
- Degree of pollution: 3
- Ambient temperature: $-25\sim +85^{\circ}C$
- Degree of protection: IP67
- Plug: M8x1
- Coding: A-CODE
- Insertion/withdrawal cycles: ≥ 100
- Standards: IEC 61076-2-104
- Connection: Screw connection

Key Commercial Data

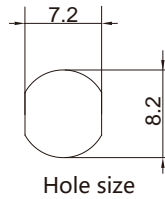
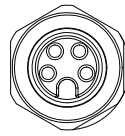
- Weight: 3Pin/17g; 4Pin/17.5g
- Packing unit: 1PCS/Bag
Small package (200x150x100) , Medium (330x250x150) , Large (400x300x230) mm

Type No.	ID No.	Connection	Coding	Current	Voltage	Wire gauge	Pinout
SAM328-5.5	11080005	Screw connection	A-CODE	4A	60V	0.14~0.5 mm ² Accept cable diameter: 3.5~5.5mm	
SAM428-5.5	11080007	Screw connection	A-CODE	4A	60V	0.14~0.5 mm ² Accept cable diameter: 3.5~5.5mm	

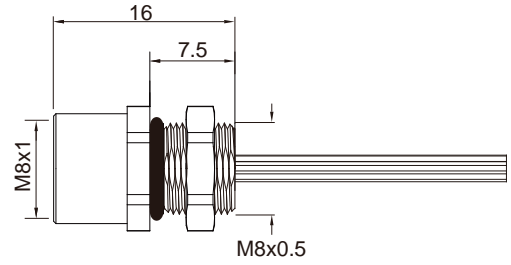
* M8 Field wirable connector *

M8 A/B-code receptacle connector 3/4/5/6/8pins

M8 Female, receptacle connector, front mounting



Hole size



Technical data

- Housing material: Zinc/Nickel-plated
- Coupling nut: Zinc/Nickel-plated
- Contact carrier: PA66/Black
- Pin: Brass/Gold-plated
- O-ring: FPM/FKM
- Insulation resistance: $\geq 100M\Omega$
- Forward resistance: $\leq 5m\Omega$
- Degree of pollution: 3
- Ambient temperature: $-25\sim +85^{\circ}C$
- Degree of protection: IP67
- Plug: M8x1
- Coding: A-CODE/B-CODE
- Insertion/withdrawal cycles: ≥ 100
- Standards: IEC 61076-2-104
- Torque: 1.5~2.5 Nm (mounting side)
- Connection mode: with wire

Key Commercial Data

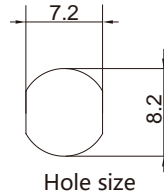
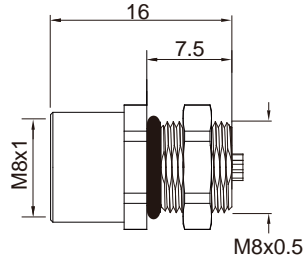
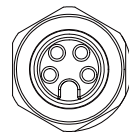
- Weight: 3Pin/6g, 4Pin/6.3g (excluding cable)
- Packing unit: 2M/10PCS/Bag, 5M/5PCS/Bag, 10M/1PCS/Bag
Small package (200×150×100), Medium (330×250×150), Large (400×300×230) mm

Type No.	ID No.	Length	Mode	Coding	Current	Voltage	Wire gauge	Pinout	Wire colors
FSAF3F-0.5	12080006	0.5M	with wire	A-CODE	3A	60V	3×0.25 (3×24AWG)		1 = BN 3 = BU 4 = BK
FSAF4F-0.5	12080007	0.5M	with wire	A-CODE	3A	60V	4×0.25 (4×24AWG)		1 = BN 2 = WH 3 = BU 4 = BK
FSBF5F-0.5	12080008	0.5M	with wire	B-CODE	3A	30V	5×0.25 (5×24AWG)		1 = BN 2 = WH 3 = BU 4 = BK 5 = GY
FSAF6F-0.5	12080009	0.5M	with wire	A-CODE	2A	30V	6×0.14 (6×26AWG)		1 = BN 2 = WH 3 = BU 4 = BK 5 = GY 6 = PK
FSAF8F-0.5	12080010	0.5M	with wire	A-CODE	1.5A	30V	8×0.14 (8×26AWG)		1 = WH 2 = BN 3 = GN 4 = YE 5 = GY 6 = PK 7 = BU 8 = RD

* M8 front mount receptacle connector *

M8
M12
7/8"
M16
M23
CC-LINK
DeviceNet
Profibus-DP
E-Net & P-Net
分支器 & 分线盒
阀式连接器

M8 Female, receptacle connector, front mounting, solder cup



Technical data

- Housing material: Zinc/Nickel-plated
- Coupling nut: Zinc/Nickel-plated
- Contact carrier: PA66/Black
- Pin: Brass/Gold-plated
- O-ring: FPM/FKM
- Insulation resistance: $\geq 100M\Omega$
- Forward resistance: $\leq 5m\Omega$
- Degree of pollution: 3
- Ambient temperature: $-25\sim +85^{\circ}C$
- Degree of protection: IP67
- Plug: M8x1
- Coding: A-CODE/B-CODE
- Insertion/withdrawal cycles: ≥ 100
- Standards: IEC 61076-2-104
- Torque: 1.5~2.5 Nm (mounting side)
- Connection mode: Solder cup

Key Commercial Data

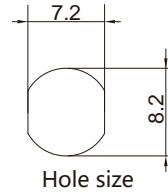
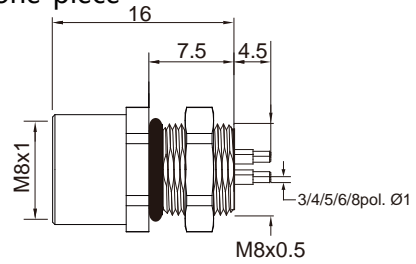
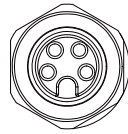
- Weight: 3Pin/6g, 4Pin/6.3g (excluding cable)
- Packing unit: 2M/10PCS/Bag, 5M/5PCS/Bag, 10M/1PCS/Bag
- Small package (200×150×100), Medium (330×250×150), Large (400×300×230) mm

Type No.	ID No.	Mode	Coding	Current	Voltage	Wire gauge	Pinout
FSAF3F-L	12080011	Solder cup	A-CODE	4A	60V	Accept 0.34mm ² (22AWG) max	
FSAF4F-L	12080012	Solder cup	A-CODE	4A	60V	Accept 0.34mm ² (22AWG) max	
FSBF5F-L	12080013	Solder cup	B-CODE	4A	30V	Accept 0.34mm ² (22AWG) max	
FSAF6F-L	12080014	Solder cup	A-CODE	2A	30V	Accept 0.25mm ² (24AWG) max	
FSAF8F-L	12080015	Solder cup	A-CODE	1.5A	30V	Accept 0.14mm ² (26AWG) max	

* M8 front mount receptacle connector *

M8 A/B-code receptacle connector 3/4/5/6/8pins

M8 Female, receptacle connector, front mounting, PCB pins one-piece



Technical data

- Housing material: Zinc/Nickel-plated
- Coupling nut: Zinc/Nickel-plated
- Contact carrier: PA66/Black
- Pin: Brass/Gold-plated
- O-ring: FPM/FKM
- Insulation resistance: $\geq 100M\Omega$
- Forward resistance: $\leq 5m\Omega$
- Degree of pollution: 3
- Ambient temperature: $-25\sim +85^{\circ}C$
- Degree of protection: IP67
- Plug: M8x1
- Coding: A-CODE/B-CODE
- Insertion/withdrawal cycles: ≥ 100
- Standards: IEC 61076-2-104
- Torque: 1.5~2.5 Nm (mounting side)
- Connection mode: PCB pins one-piece

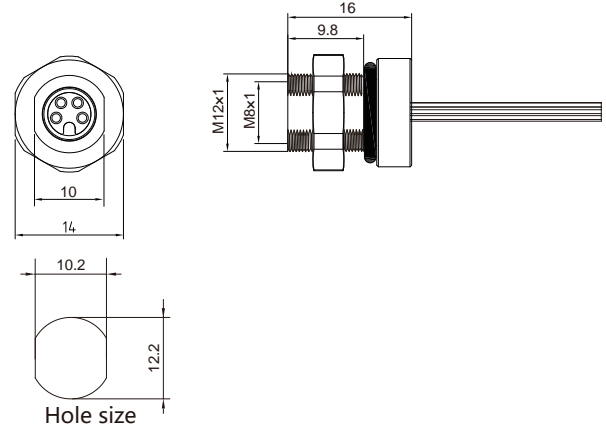
Key Commercial Data

- Weight: 3Pin/6g, 4Pin/6.3g (excluding cable)
- Packing unit: 2M/10PCS/Bag, 5M/5PCS/Bag, 10M/1PCS/Bag
- Small package (200×150×100), Medium (330×250×150), Large (400×300×230) mm

Type No.	ID No.	Mode	Coding	Current	Voltage	Pinout	PCB pin position																											
FSAF3F-P	12080016	PCB pins one-piece	A-CODE	4A	60V		<table border="1"> <thead> <tr> <th>Pin</th> <th>X</th> <th>Y</th> </tr> </thead> <tbody> <tr> <td>1</td> <td>1.75</td> <td>0.00</td> </tr> <tr> <td>2</td> <td>-</td> <td>-</td> </tr> <tr> <td>3</td> <td>-1.75</td> <td>0.00</td> </tr> <tr> <td>4</td> <td>0.00</td> <td>1.75</td> </tr> </tbody> </table>	Pin	X	Y	1	1.75	0.00	2	-	-	3	-1.75	0.00	4	0.00	1.75												
Pin	X	Y																																
1	1.75	0.00																																
2	-	-																																
3	-1.75	0.00																																
4	0.00	1.75																																
FSAF4F-P	12080017	PCB pins one-piece	A-CODE	4A	60V		<table border="1"> <thead> <tr> <th>Pin</th> <th>X</th> <th>Y</th> </tr> </thead> <tbody> <tr> <td>1</td> <td>1.70</td> <td>-0.50</td> </tr> <tr> <td>2</td> <td>1.08</td> <td>1.45</td> </tr> <tr> <td>3</td> <td>-1.70</td> <td>-0.50</td> </tr> <tr> <td>4</td> <td>-1.08</td> <td>1.45</td> </tr> </tbody> </table>	Pin	X	Y	1	1.70	-0.50	2	1.08	1.45	3	-1.70	-0.50	4	-1.08	1.45												
Pin	X	Y																																
1	1.70	-0.50																																
2	1.08	1.45																																
3	-1.70	-0.50																																
4	-1.08	1.45																																
FSBF5F-P	12080018	PCB pins one-piece	B-CODE	4A	30V		<table border="1"> <thead> <tr> <th>Pin</th> <th>X</th> <th>Y</th> </tr> </thead> <tbody> <tr> <td>1</td> <td>1.70</td> <td>-0.35</td> </tr> <tr> <td>2</td> <td>0.975</td> <td>1.45</td> </tr> <tr> <td>3</td> <td>-1.70</td> <td>-0.35</td> </tr> <tr> <td>4</td> <td>-0.975</td> <td>1.45</td> </tr> <tr> <td>5</td> <td>0.00</td> <td>-1.35</td> </tr> </tbody> </table>	Pin	X	Y	1	1.70	-0.35	2	0.975	1.45	3	-1.70	-0.35	4	-0.975	1.45	5	0.00	-1.35									
Pin	X	Y																																
1	1.70	-0.35																																
2	0.975	1.45																																
3	-1.70	-0.35																																
4	-0.975	1.45																																
5	0.00	-1.35																																
FSAF6F-P	12080019	PCB pins one-piece	A-CODE	2A	30V		<table border="1"> <thead> <tr> <th>Pin</th> <th>X</th> <th>Y</th> </tr> </thead> <tbody> <tr> <td>1</td> <td>1.37</td> <td>-1.32</td> </tr> <tr> <td>2</td> <td>-1.37</td> <td>-1.32</td> </tr> <tr> <td>3</td> <td>-1.75</td> <td>-0.74</td> </tr> <tr> <td>4</td> <td>0.00</td> <td>1.90</td> </tr> <tr> <td>5</td> <td>1.75</td> <td>0.74</td> </tr> <tr> <td>6</td> <td>0.00</td> <td>0.00</td> </tr> </tbody> </table>	Pin	X	Y	1	1.37	-1.32	2	-1.37	-1.32	3	-1.75	-0.74	4	0.00	1.90	5	1.75	0.74	6	0.00	0.00						
Pin	X	Y																																
1	1.37	-1.32																																
2	-1.37	-1.32																																
3	-1.75	-0.74																																
4	0.00	1.90																																
5	1.75	0.74																																
6	0.00	0.00																																
FSAF8F-P	12080020	PCB pins one-piece	A-CODE	1.5A	30V		<table border="1"> <thead> <tr> <th>Pin</th> <th>X</th> <th>Y</th> </tr> </thead> <tbody> <tr> <td>1</td> <td>0.90</td> <td>-1.65</td> </tr> <tr> <td>2</td> <td>-0.90</td> <td>-1.65</td> </tr> <tr> <td>3</td> <td>-1.85</td> <td>-0.35</td> </tr> <tr> <td>4</td> <td>-1.45</td> <td>1.20</td> </tr> <tr> <td>5</td> <td>0.00</td> <td>1.85</td> </tr> <tr> <td>6</td> <td>1.45</td> <td>1.20</td> </tr> <tr> <td>7</td> <td>1.85</td> <td>-0.35</td> </tr> <tr> <td>8</td> <td>0.00</td> <td>0.00</td> </tr> </tbody> </table>	Pin	X	Y	1	0.90	-1.65	2	-0.90	-1.65	3	-1.85	-0.35	4	-1.45	1.20	5	0.00	1.85	6	1.45	1.20	7	1.85	-0.35	8	0.00	0.00
Pin	X	Y																																
1	0.90	-1.65																																
2	-0.90	-1.65																																
3	-1.85	-0.35																																
4	-1.45	1.20																																
5	0.00	1.85																																
6	1.45	1.20																																
7	1.85	-0.35																																
8	0.00	0.00																																

* M8 front mount receptacle connector *

M8 Female, receptacle connector, rear mounting, with wire



Technical data

- Housing material: Zinc/Nickel-plated
- Coupling nut: Zinc/Nickel-plated
- Contact carrier: PA66/Black
- Pin: Brass/Gold-plated
- O-ring: FPM/FKM
- Insulation resistance: $\geq 100M\Omega$
- Forward resistance: $\leq 5m\Omega$
- Degree of pollution: 3
- Ambient temperature: $-25\sim +85^{\circ}C$
- Degree of protection: IP67
- Plug: M8x1
- Coding: A-CODE/B-CODE
- Insertion/withdrawal cycles: ≥ 100
- Standards: IEC 61076-2-104
- Torque: 1.5~2.5 Nm (mounting side)
- Connection mode: with wire

Key Commercial Data

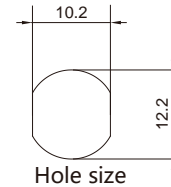
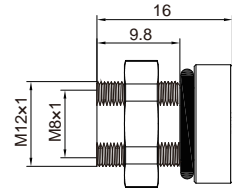
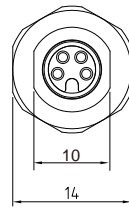
- Weight: 3Pin/6g, 4Pin/6.3g (excluding cable)
- Packing unit: 2M/10PCS/Bag, 5M/5PCS/Bag, 10M/1PCS/Bag
- Small package (200×150×100), Medium (330×250×150), Large (400×300×230) mm

Type No.	ID No.	Length	Mode	Coding	Current	Voltage	Wire gauge	Pinout	Wire colors
FSAF3R-0.5/M12	12080021	0.5M	with wire	A-CODE	3A	60V	3×0.25 (3×24AWG)		1 = BN 3 = BU 4 = BK
FSAF4R-0.5/M12	12080022	0.5M	with wire	A-CODE	3A	60V	4×0.25 (4×24AWG)		1 = BN 2 = WH 3 = BU 4 = BK
FSBF5R-0.5/M12	12080023	0.5M	with wire	B-CODE	3A	30V	5×0.25 (5×24AWG)		1 = BN 2 = WH 3 = BU 4 = BK 5 = GY
FSAF6R-0.5/M12	12080024	0.5M	with wire	A-CODE	2A	30V	6×0.14 (6×26AWG)		1 = BN 2 = WH 3 = BU 4 = BK 5 = GY 6 = PK
FSAF8R-0.5/M12	12080025	0.5M	with wire	A-CODE	1.5A	30V	8×0.14 (8×26AWG)		1 = WH 2 = BN 3 = GN 4 = YE 5 = GY 6 = PK 7 = BU 8 = RD

* M8 rear mount receptacle connector *

M8 A/B-code receptacle connector 3/4/5/6/8pins

M8 Female, receptacle connector, rear mounting, solder cup



Technical data

- Housing material: Zinc/Nickel-plated
- Coupling nut: Zinc/Nickel-plated
- Contact carrier: PA66/Black
- Pin: Brass/Gold-plated
- O-ring: FPM/FKM
- Insulation resistance: $\geq 100M\Omega$
- Forward resistance: $\leq 5m\Omega$
- Degree of pollution: 3
- Ambient temperature: $-25\sim +85^{\circ}C$
- Degree of protection: IP67
- Plug: M8x1
- Coding: A-CODE/B-CODE
- Insertion/withdrawal cycles: ≥ 100
- Standards: IEC 61076-2-104
- Torque: 1.5~2.5 Nm (mounting side)
- Connection mode: Solder cup

Key Commercial Data

- Weight: 3Pin/6g, 4Pin/6.3g (excluding cable)
- Packing unit: 2M/10PCS/Bag, 5M/5PCS/Bag, 10M/1PCS/Bag
Small package (200×150×100), Medium (330×250×150), Large (400×300×230) mm

Type No.	ID No.	Mode	Coding	Current	Voltage	Wire gauge	Pinout
FSAF3R-L/M12	12080026	Solder cup	A-CODE	4A	60V	Accept 0.34mm ² (22AWG) max	
FSAF4R-L/M12	12080027	Solder cup	A-CODE	4A	60V	Accept 0.34mm ² (22AWG) max	
FSBF5R-L/M12	12080028	Solder cup	B-CODE	4A	30V	Accept 0.34mm ² (22AWG) max	
FSAF6R-L/M12	12080029	Solder cup	A-CODE	2A	30V	Accept 0.25mm ² (24AWG) max	
FSAF8R-L/M12	12080030	Solder cup	A-CODE	1.5A	30V	Accept 0.14mm ² (26AWG) max	

* M8 rear mount receptacle connector *

M8

M12

7/8"

M16

M23

CC-LINK

DeviceNet

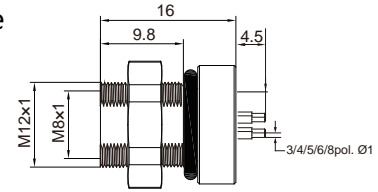
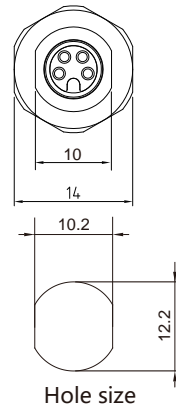
Profibus-DP

E-Net & P-Net

分支器及分线盒

阀式连接器

M8 Female, receptacle connector, rear mounting, PCB pins one-piece



Technical data

- Housing material: Zinc/Nickel-plated
- Coupling nut: Zinc/Nickel-plated
- Contact carrier: PA66/Black
- Pin: Brass/Gold-plated
- O-ring: FPM/FKM
- Insulation resistance: $\geq 100M\Omega$
- Forward resistance: $\leq 5m\Omega$
- Degree of pollution: 3
- Ambient temperature: $-25\sim +85^{\circ}C$
- Degree of protection: IP67
- Plug: M8×1
- Coding: A-CODE/B-CODE
- Insertion/withdrawal cycles: ≥ 100
- Standards: IEC 61076-2-104
- Torque: 1.5~2.5 Nm (mounting side)
- Connection mode: PCB pins one-piece

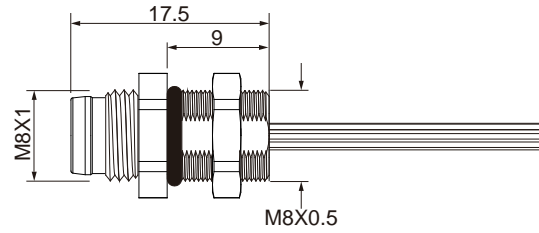
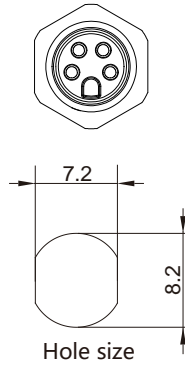
Key Commercial Data

- Weight: 3Pin/6g, 4Pin/6.3g (excluding cable)
- Packing unit: 2M/10PCS/Bag, 5M/5PCS/Bag, 10M/1PCS/Bag
- Small package (200×150×100), Medium (330×250×150), Large (400×300×230) mm

Type No.	ID No.	Mode	Coding	Current	Voltage	Pinout	PCB pin position																											
FSAF3R-P/M12	12080031	PCB pins one-piece	A-CODE	4A	60V		<table border="1"> <thead> <tr> <th>Pin</th> <th>X</th> <th>Y</th> </tr> </thead> <tbody> <tr> <td>1</td> <td>1.75</td> <td>0.00</td> </tr> <tr> <td>2</td> <td>-</td> <td>-</td> </tr> <tr> <td>3</td> <td>-1.75</td> <td>0.00</td> </tr> <tr> <td>4</td> <td>0.00</td> <td>1.75</td> </tr> </tbody> </table>	Pin	X	Y	1	1.75	0.00	2	-	-	3	-1.75	0.00	4	0.00	1.75												
Pin	X	Y																																
1	1.75	0.00																																
2	-	-																																
3	-1.75	0.00																																
4	0.00	1.75																																
FSAF4R-P/M12	12080032	PCB pins one-piece	A-CODE	4A	60V		<table border="1"> <thead> <tr> <th>Pin</th> <th>X</th> <th>Y</th> </tr> </thead> <tbody> <tr> <td>1</td> <td>1.70</td> <td>-0.50</td> </tr> <tr> <td>2</td> <td>1.08</td> <td>1.45</td> </tr> <tr> <td>3</td> <td>-1.70</td> <td>-0.50</td> </tr> <tr> <td>4</td> <td>-1.08</td> <td>1.45</td> </tr> </tbody> </table>	Pin	X	Y	1	1.70	-0.50	2	1.08	1.45	3	-1.70	-0.50	4	-1.08	1.45												
Pin	X	Y																																
1	1.70	-0.50																																
2	1.08	1.45																																
3	-1.70	-0.50																																
4	-1.08	1.45																																
FSBF5R-P/M12	12080033	PCB pins one-piece	B-CODE	4A	30V		<table border="1"> <thead> <tr> <th>Pin</th> <th>X</th> <th>Y</th> </tr> </thead> <tbody> <tr> <td>1</td> <td>1.70</td> <td>-0.35</td> </tr> <tr> <td>2</td> <td>0.975</td> <td>1.45</td> </tr> <tr> <td>3</td> <td>-1.70</td> <td>-0.35</td> </tr> <tr> <td>4</td> <td>-0.975</td> <td>1.45</td> </tr> <tr> <td>5</td> <td>0.00</td> <td>-1.35</td> </tr> </tbody> </table>	Pin	X	Y	1	1.70	-0.35	2	0.975	1.45	3	-1.70	-0.35	4	-0.975	1.45	5	0.00	-1.35									
Pin	X	Y																																
1	1.70	-0.35																																
2	0.975	1.45																																
3	-1.70	-0.35																																
4	-0.975	1.45																																
5	0.00	-1.35																																
FSAF6R-P/M12	12080034	PCB pins one-piece	A-CODE	2A	30V		<table border="1"> <thead> <tr> <th>Pin</th> <th>X</th> <th>Y</th> </tr> </thead> <tbody> <tr> <td>1</td> <td>1.37</td> <td>-1.32</td> </tr> <tr> <td>2</td> <td>-1.37</td> <td>-1.32</td> </tr> <tr> <td>3</td> <td>-1.75</td> <td>-0.74</td> </tr> <tr> <td>4</td> <td>0.00</td> <td>1.90</td> </tr> <tr> <td>5</td> <td>1.75</td> <td>0.74</td> </tr> <tr> <td>6</td> <td>0.00</td> <td>0.00</td> </tr> </tbody> </table>	Pin	X	Y	1	1.37	-1.32	2	-1.37	-1.32	3	-1.75	-0.74	4	0.00	1.90	5	1.75	0.74	6	0.00	0.00						
Pin	X	Y																																
1	1.37	-1.32																																
2	-1.37	-1.32																																
3	-1.75	-0.74																																
4	0.00	1.90																																
5	1.75	0.74																																
6	0.00	0.00																																
FSAF8R-P/M12	12080035	PCB pins one-piece	A-CODE	1.5A	30V		<table border="1"> <thead> <tr> <th>Pin</th> <th>X</th> <th>Y</th> </tr> </thead> <tbody> <tr> <td>1</td> <td>0.90</td> <td>-1.65</td> </tr> <tr> <td>2</td> <td>-0.90</td> <td>-1.65</td> </tr> <tr> <td>3</td> <td>-1.85</td> <td>-0.35</td> </tr> <tr> <td>4</td> <td>-1.45</td> <td>1.20</td> </tr> <tr> <td>5</td> <td>0.00</td> <td>1.85</td> </tr> <tr> <td>6</td> <td>1.45</td> <td>1.20</td> </tr> <tr> <td>7</td> <td>1.85</td> <td>-0.35</td> </tr> <tr> <td>8</td> <td>0.00</td> <td>0.00</td> </tr> </tbody> </table>	Pin	X	Y	1	0.90	-1.65	2	-0.90	-1.65	3	-1.85	-0.35	4	-1.45	1.20	5	0.00	1.85	6	1.45	1.20	7	1.85	-0.35	8	0.00	0.00
Pin	X	Y																																
1	0.90	-1.65																																
2	-0.90	-1.65																																
3	-1.85	-0.35																																
4	-1.45	1.20																																
5	0.00	1.85																																
6	1.45	1.20																																
7	1.85	-0.35																																
8	0.00	0.00																																

* M8 rear mount receptacle connector *

M8 Male, receptacle connector, front mounting



Technical data

- Housing material: Zinc/Nickel-plated
- Coupling nut: Zinc/Nickel-plated
- Contact carrier: PA66/Black
- Pin: Brass/Gold-plated
- O-ring: FPM/FKM
- Insulation resistance: $\geq 100M\Omega$
- Forward resistance: $\leq 5m\Omega$
- Degree of pollution: 3
- Ambient temperature: $-25\sim +85^{\circ}C$
- Degree of protection: IP67
- Plug: M8×1
- Coding: A-CODE/B-CODE
- Insertion/withdrawal cycles: ≥ 100
- Standards: IEC 61076-2-104
- Torque: 1.5~2.5 Nm (mounting side)
- Connection mode: with wire

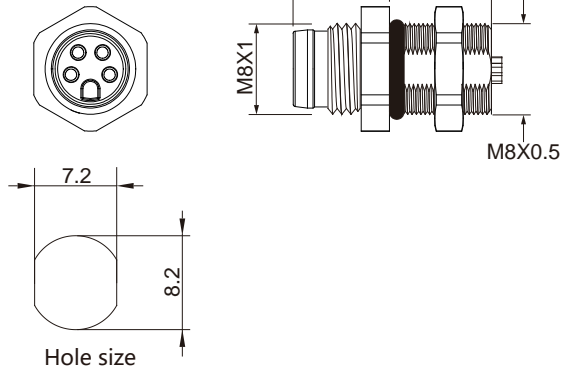
Key Commercial Data

- Weight: 3Pin/6g, 4Pin/6.3g (excluding cable)
- Packing unit: 2M/10PCS/Bag, 5M/5PCS/Bag, 10M/1PCS/Bag
Small package (200×150×100), Medium (330×250×150), Large (400×300×230) mm

Type No.	ID No.	Length	Mode	Coding	Current	Voltage	Wire gauge	Pinout	Wire colors
FSAM3F-0.5	12080036	0.5M	with wire	A-CODE	3A	60V	3×0.25 (3×24AWG)		1 = BN 3 = BU 4 = BK
FSAM4F-0.5	12080037	0.5M	with wire	A-CODE	3A	60V	4×0.25 (4×24AWG)		1 = BN 2 = WH 3 = BU 4 = BK
FSBM5F-0.5	12080038	0.5M	with wire	B-CODE	3A	30V	5×0.25 (5×24AWG)		1 = BN 2 = WH 3 = BU 4 = BK 5 = GY
FSAM6F-0.5	12080039	0.5M	with wire	A-CODE	2A	30V	6×0.14 (6×26AWG)		1 = BN 2 = WH 3 = BU 4 = BK 5 = GY 6 = PK
FSAM8F-0.5	12080040	0.5M	with wire	A-CODE	1.5A	30V	8×0.14 (8×26AWG)		1 = WH 2 = BN 3 = GN 4 = YE 5 = GY 6 = PK 7 = BU 8 = RD

* M8 front mount receptacle connector *

M8 Male, receptacle connector, front mounting, solder cup



Technical data

- Housing material: Zinc/Nickel-plated
- Coupling nut: Zinc/Nickel-plated
- Contact carrier: PA66/Black
- Pin: Brass/Gold-plated
- O-ring: FPM/FKM
- Insulation resistance: $\geq 100M\Omega$
- Forward resistance: $\leq 5m\Omega$
- Degree of pollution: 3
- Ambient temperature: $-25\sim +85^{\circ}C$
- Degree of protection: IP67
- Plug: M8×1
- Coding: A-CODE/B-CODE
- Insertion/withdrawal cycles: ≥ 100
- Standards: IEC 61076-2-104
- Torque: 1.5~2.5 Nm (mounting side)
- Connection mode: Solder cup

Key Commercial Data

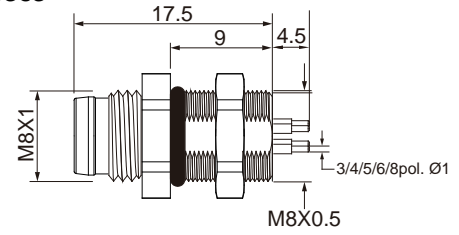
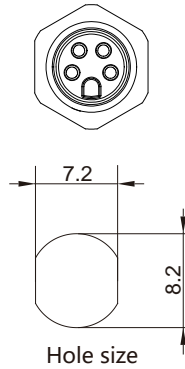
- Weight: 3Pin/6g, 4Pin/6.3g (excluding cable)
- Packing unit: 2M/10PCS/Bag, 5M/5PCS/Bag, 10M/1PCS/Bag
- Small package (200×150×100), Medium (330×250×150), Large (400×300×230) mm

Type No.	ID No.	Mode	Coding	Current	Voltage	Wire gauge	Pinout
FSAM3F-L	12080041	Solder cup	A-CODE	4A	60V	Accept 0.34mm ² (22AWG) max	
FSAM4F-L	12080042	Solder cup	A-CODE	4A	60V	Accept 0.34mm ² (22AWG) max	
FSBM5F-L	12080043	Solder cup	B-CODE	4A	30V	Accept 0.34mm ² (22AWG) max	
FSAM6F-L	12080044	Solder cup	A-CODE	2A	30V	Accept 0.25mm ² (24AWG) max	
FSAM8F-L	12080045	Solder cup	A-CODE	1.5A	30V	Accept 0.14mm ² (26AWG) max	

* M8 front mount receptacle connector *

M8 A/B-code receptacle connector 3/4/5/6/8pins

M8 Male, receptacle connector, front mounting, PCB pins one-piece



Technical data

- Housing material: Zinc/Nickel-plated
- Coupling nut: Zinc/Nickel-plated
- Contact carrier: PA66/Black
- Pin: Brass/Gold-plated
- O-ring: FPM/FKM
- Insulation resistance: $\geq 100M\Omega$
- Forward resistance: $\leq 5m\Omega$
- Degree of pollution: 3
- Ambient temperature: $-25\sim +85^{\circ}C$
- Degree of protection: IP67
- Plug: M8×1
- Coding: A-CODE/B-CODE
- Insertion/withdrawal cycles: ≥ 100
- Standards: IEC 61076-2-104
- Torque: 1.5~2.5 Nm (mounting side)
- Connection mode: PCB pins one-piece

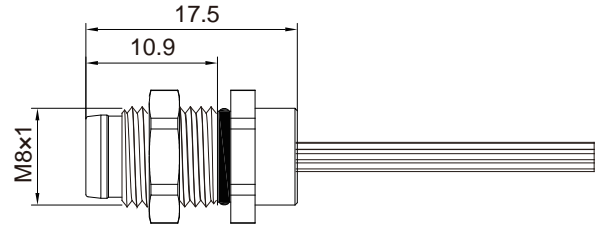
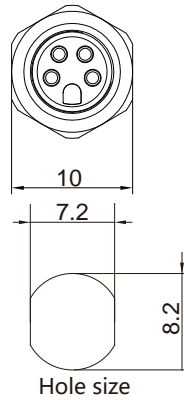
Key Commercial Data

- Weight: 3Pin/6g, 4Pin/6.3g (excluding cable)
- Packing unit: 2M/10PCS/Bag, 5M/5PCS/Bag, 10M/1PCS/Bag
Small package (200×150×100), Medium (330×250×150), Large (400×300×230) mm

Type No.	ID No.	Mode	Coding	Current	Voltage	Pinout	PCB pin position																											
FSAM3F-P	12080046	PCB pins one-piece	A-CODE	4A	60V		<table border="1"> <thead> <tr> <th>Pin</th> <th>X</th> <th>Y</th> </tr> </thead> <tbody> <tr> <td>1</td> <td>-1.75</td> <td>0.00</td> </tr> <tr> <td>2</td> <td>-</td> <td>-</td> </tr> <tr> <td>3</td> <td>1.75</td> <td>0.00</td> </tr> <tr> <td>4</td> <td>0.00</td> <td>1.75</td> </tr> </tbody> </table>	Pin	X	Y	1	-1.75	0.00	2	-	-	3	1.75	0.00	4	0.00	1.75												
Pin	X	Y																																
1	-1.75	0.00																																
2	-	-																																
3	1.75	0.00																																
4	0.00	1.75																																
FSAM4F-P	12080047	PCB pins one-piece	A-CODE	4A	60V		<table border="1"> <thead> <tr> <th>Pin</th> <th>X</th> <th>Y</th> </tr> </thead> <tbody> <tr> <td>1</td> <td>-1.75</td> <td>-0.50</td> </tr> <tr> <td>2</td> <td>-1.08</td> <td>1.45</td> </tr> <tr> <td>3</td> <td>1.70</td> <td>-0.50</td> </tr> <tr> <td>4</td> <td>1.08</td> <td>1.45</td> </tr> </tbody> </table>	Pin	X	Y	1	-1.75	-0.50	2	-1.08	1.45	3	1.70	-0.50	4	1.08	1.45												
Pin	X	Y																																
1	-1.75	-0.50																																
2	-1.08	1.45																																
3	1.70	-0.50																																
4	1.08	1.45																																
FSBM5F-P	12080048	PCB pins one-piece	B-CODE	4A	30V		<table border="1"> <thead> <tr> <th>Pin</th> <th>X</th> <th>Y</th> </tr> </thead> <tbody> <tr> <td>1</td> <td>-1.70</td> <td>-0.35</td> </tr> <tr> <td>2</td> <td>-0.975</td> <td>1.45</td> </tr> <tr> <td>3</td> <td>1.70</td> <td>-0.35</td> </tr> <tr> <td>4</td> <td>0.975</td> <td>1.45</td> </tr> <tr> <td>5</td> <td>0</td> <td>-1.35</td> </tr> </tbody> </table>	Pin	X	Y	1	-1.70	-0.35	2	-0.975	1.45	3	1.70	-0.35	4	0.975	1.45	5	0	-1.35									
Pin	X	Y																																
1	-1.70	-0.35																																
2	-0.975	1.45																																
3	1.70	-0.35																																
4	0.975	1.45																																
5	0	-1.35																																
FSAM6F-P	12080049	PCB pins one-piece	A-CODE	2A	30V		<table border="1"> <thead> <tr> <th>Pin</th> <th>X</th> <th>Y</th> </tr> </thead> <tbody> <tr> <td>1</td> <td>-1.37</td> <td>-1.32</td> </tr> <tr> <td>2</td> <td>1.37</td> <td>-1.32</td> </tr> <tr> <td>3</td> <td>1.75</td> <td>0.74</td> </tr> <tr> <td>4</td> <td>0.00</td> <td>1.90</td> </tr> <tr> <td>5</td> <td>-1.75</td> <td>0.74</td> </tr> <tr> <td>6</td> <td>0.00</td> <td>0.00</td> </tr> </tbody> </table>	Pin	X	Y	1	-1.37	-1.32	2	1.37	-1.32	3	1.75	0.74	4	0.00	1.90	5	-1.75	0.74	6	0.00	0.00						
Pin	X	Y																																
1	-1.37	-1.32																																
2	1.37	-1.32																																
3	1.75	0.74																																
4	0.00	1.90																																
5	-1.75	0.74																																
6	0.00	0.00																																
FSAM8F-P	12080050	PCB pins one-piece	A-CODE	1.5A	30V		<table border="1"> <thead> <tr> <th>Pin</th> <th>X</th> <th>Y</th> </tr> </thead> <tbody> <tr> <td>1</td> <td>-0.90</td> <td>-1.65</td> </tr> <tr> <td>2</td> <td>0.90</td> <td>-1.65</td> </tr> <tr> <td>3</td> <td>1.85</td> <td>-0.35</td> </tr> <tr> <td>4</td> <td>1.45</td> <td>1.20</td> </tr> <tr> <td>5</td> <td>0.00</td> <td>1.85</td> </tr> <tr> <td>6</td> <td>-1.45</td> <td>1.20</td> </tr> <tr> <td>7</td> <td>-1.85</td> <td>-0.35</td> </tr> <tr> <td>8</td> <td>0.00</td> <td>0.00</td> </tr> </tbody> </table>	Pin	X	Y	1	-0.90	-1.65	2	0.90	-1.65	3	1.85	-0.35	4	1.45	1.20	5	0.00	1.85	6	-1.45	1.20	7	-1.85	-0.35	8	0.00	0.00
Pin	X	Y																																
1	-0.90	-1.65																																
2	0.90	-1.65																																
3	1.85	-0.35																																
4	1.45	1.20																																
5	0.00	1.85																																
6	-1.45	1.20																																
7	-1.85	-0.35																																
8	0.00	0.00																																

* M8 front mount receptacle connector *

M8 Male, receptacle connector, rear mounting, with wire



Technical data

- Housing material: Zinc/Nickel-plated
- Coupling nut: Zinc/Nickel-plated
- Contact carrier: PA66/Black
- Pin: Brass/Gold-plated
- O-ring: FPM/FKM
- Insulation resistance: $\geq 100M\Omega$
- Forward resistance: $\leq 5m\Omega$
- Degree of pollution: 3
- Ambient temperature: $-25\sim +85^{\circ}C$
- Degree of protection: IP67
- Plug: M8x1
- Coding: A-CODE/B-CODE
- Insertion/withdrawal cycles: ≥ 100
- Standards: IEC 61076-2-104
- Torque: 1.5~2.5 Nm (mounting side)
- Connection mode: with wire

Key Commercial Data

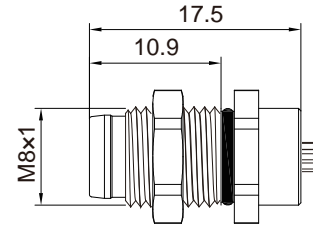
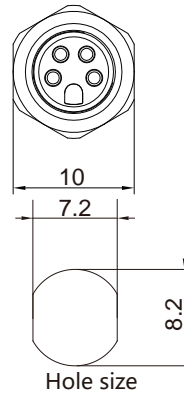
- Weight: 3Pin/6g, 4Pin/6.3g (excluding cable)
- Packing unit: 2M/10PCS/Bag, 5M/5PCS/Bag, 10M/1PCS/Bag
Small package (200×150×100), Medium (330×250×150), Large (400×300×230) mm

Type No.	ID No.	Length	Mode	Coding	Current	Voltage	Wire gauge	Pinout	Wire colors
FSAM3R-0.5	12080050	0.5M	with wire	A-CODE	3A	60V	3×0.25 (3×24AWG)		1 = BN 3 = BU 4 = BK
FSAM4R-0.5	12080051	0.5M	with wire	A-CODE	3A	60V	4×0.25 (4×24AWG)		1 = BN 2 = WH 3 = BU 4 = BK
FSBM5R-0.5	12080052	0.5M	with wire	B-CODE	3A	30V	5×0.25 (5×24AWG)		1 = BN 2 = WH 3 = BU 4 = BK 5 = GY
FSAM6R-0.5	12080004	0.5M	with wire	A-CODE	2A	30V	6×0.14 (6×26AWG)		1 = BN 2 = WH 3 = BU 4 = BK 5 = GY 6 = PK
FSAM8R-0.5	12080054	0.5M	with wire	A-CODE	1.5A	30V	8×0.14 (8×26AWG)		1 = WH 2 = BN 3 = GN 4 = YE 5 = GY 6 = PK 7 = BU 8 = RD

* M8 rear mount receptacle connector *

M8 A/B-code receptacle connector 3/4/5/6/8pins

M8 Male, receptacle connector, rear mounting, solder cup



Technical data

- Housing material: Zinc/Nickel-plated
- Coupling nut: Zinc/Nickel-plated
- Contact carrier: PA66/Black
- Pin: Brass/Gold-plated
- O-ring: FPM/FKM
- Insulation resistance: $\geq 100M\Omega$
- Forward resistance: $\leq 5m\Omega$
- Degree of pollution: 3
- Ambient temperature: $-25\sim +85^{\circ}C$
- Degree of protection: IP67
- Plug: M8x1
- Coding: A-CODE/B-CODE
- Insertion/withdrawal cycles: ≥ 100
- Standards: IEC 61076-2-104
- Torque: 1.5~2.5 Nm (mounting side)
- Connection mode: Solder cup

Key Commercial Data

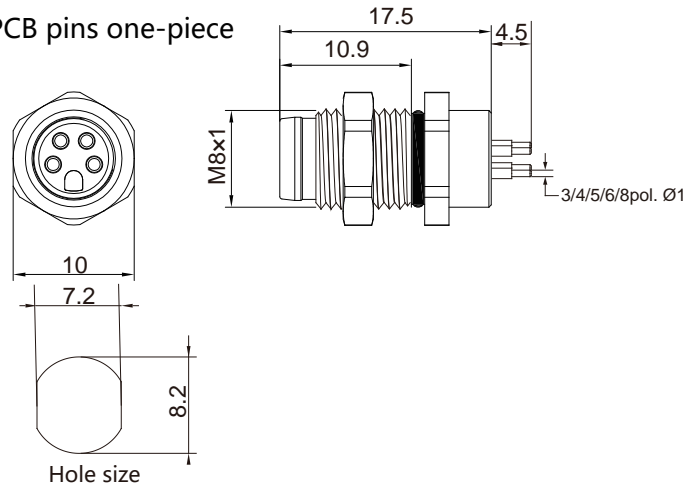
- Weight: 3Pin/6g, 4Pin/6.3g (excluding cable)
- Packing unit: 2M/10PCS/Bag, 5M/5PCS/Bag, 10M/1PCS/Bag
Small package (200×150×100), Medium (330×250×150), Large (400×300×230) mm

Type No.	ID No.	Mode	Coding	Current	Voltage	Wire gauge	Pinout
FSAM3R-L	12080069	Solder cup	A-CODE	4A	60V	Accept 0.34mm ² (22AWG) max	
FSAM4R-L	12080070	Solder cup	A-CODE	4A	60V	Accept 0.34mm ² (22AWG) max	
FSBM5R-L	12080071	Solder cup	B-CODE	4A	30V	Accept 0.34mm ² (22AWG) max	
FSAM6R-L	12080072	Solder cup	A-CODE	2A	30V	Accept 0.25mm ² (24AWG) max	
FSAM8R-L	12080073	Solder cup	A-CODE	1.5A	30V	Accept 0.14mm ² (26AWG) max	

* M8 rear mount receptacle connector *

M8 M12 7/8" M16 M23 CC-LINK DeviceNet Profibus-DP E-Net & P-Net 分支器&分线盒 阀式连接器

M8 Male, receptacle connector, rear mounting, PCB pins one-piece



Technical data

- Housing material: Zinc/Nickel-plated
- Coupling nut: Zinc/Nickel-plated
- Contact carrier: PA66/Black
- Pin: Brass/Gold-plated
- O-ring: FPM/FKM
- Insulation resistance: $\geq 100M\Omega$
- Forward resistance: $\leq 5m\Omega$
- Degree of pollution: 3
- Ambient temperature: $-25\sim +85^{\circ}C$
- Degree of protection: IP67
- Plug: M8x1
- Coding: A-CODE/B-CODE
- Insertion/withdrawal cycles: ≥ 100
- Standards: IEC 61076-2-104
- Torque: 1.5~2.5 Nm (mounting side)
- Connection mode: PCB pins one-piece

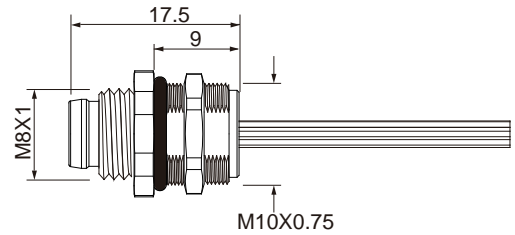
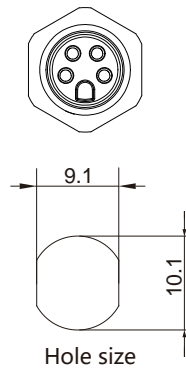
Key Commercial Data

- Weight: 3Pin/6g, 4Pin/6.3g (excluding cable)
- Packing unit: 2M/10PCS/Bag, 5M/5PCS/Bag, 10M/1PCS/Bag
- Small package (200×150×100), Medium (330×250×150), Large (400×300×230) mm

Type No.	ID No.	Mode	Coding	Current	Voltage	Pinout	PCB pin position																											
FSAM3R-P	12080059	PCB pins one-piece	A-CODE	4A	60V		<table border="1"> <thead> <tr> <th>Pin</th> <th>X</th> <th>Y</th> </tr> </thead> <tbody> <tr> <td>1</td> <td>-1.75</td> <td>0.00</td> </tr> <tr> <td>2</td> <td>-</td> <td>-</td> </tr> <tr> <td>3</td> <td>1.75</td> <td>0.00</td> </tr> <tr> <td>4</td> <td>0.00</td> <td>1.75</td> </tr> </tbody> </table>	Pin	X	Y	1	-1.75	0.00	2	-	-	3	1.75	0.00	4	0.00	1.75												
Pin	X	Y																																
1	-1.75	0.00																																
2	-	-																																
3	1.75	0.00																																
4	0.00	1.75																																
FSAM4R-P	12080060	PCB pins one-piece	A-CODE	4A	60V		<table border="1"> <thead> <tr> <th>Pin</th> <th>X</th> <th>Y</th> </tr> </thead> <tbody> <tr> <td>1</td> <td>-1.75</td> <td>-0.50</td> </tr> <tr> <td>2</td> <td>-1.08</td> <td>1.45</td> </tr> <tr> <td>3</td> <td>1.70</td> <td>-0.50</td> </tr> <tr> <td>4</td> <td>1.08</td> <td>1.45</td> </tr> </tbody> </table>	Pin	X	Y	1	-1.75	-0.50	2	-1.08	1.45	3	1.70	-0.50	4	1.08	1.45												
Pin	X	Y																																
1	-1.75	-0.50																																
2	-1.08	1.45																																
3	1.70	-0.50																																
4	1.08	1.45																																
FSBM5R-P	12080061	PCB pins one-piece	B-CODE	4A	30V		<table border="1"> <thead> <tr> <th>Pin</th> <th>X</th> <th>Y</th> </tr> </thead> <tbody> <tr> <td>1</td> <td>-1.70</td> <td>-0.35</td> </tr> <tr> <td>2</td> <td>-0.975</td> <td>1.45</td> </tr> <tr> <td>3</td> <td>1.70</td> <td>-0.35</td> </tr> <tr> <td>4</td> <td>0.975</td> <td>1.45</td> </tr> <tr> <td>5</td> <td>0</td> <td>-1.35</td> </tr> </tbody> </table>	Pin	X	Y	1	-1.70	-0.35	2	-0.975	1.45	3	1.70	-0.35	4	0.975	1.45	5	0	-1.35									
Pin	X	Y																																
1	-1.70	-0.35																																
2	-0.975	1.45																																
3	1.70	-0.35																																
4	0.975	1.45																																
5	0	-1.35																																
FSAM6F-P	12080062	PCB pins one-piece	A-CODE	2A	30V		<table border="1"> <thead> <tr> <th>Pin</th> <th>X</th> <th>Y</th> </tr> </thead> <tbody> <tr> <td>1</td> <td>-1.37</td> <td>-1.32</td> </tr> <tr> <td>2</td> <td>1.37</td> <td>-1.32</td> </tr> <tr> <td>3</td> <td>1.75</td> <td>0.74</td> </tr> <tr> <td>4</td> <td>0.00</td> <td>1.90</td> </tr> <tr> <td>5</td> <td>-1.75</td> <td>0.74</td> </tr> <tr> <td>6</td> <td>0.00</td> <td>0.00</td> </tr> </tbody> </table>	Pin	X	Y	1	-1.37	-1.32	2	1.37	-1.32	3	1.75	0.74	4	0.00	1.90	5	-1.75	0.74	6	0.00	0.00						
Pin	X	Y																																
1	-1.37	-1.32																																
2	1.37	-1.32																																
3	1.75	0.74																																
4	0.00	1.90																																
5	-1.75	0.74																																
6	0.00	0.00																																
FSAM8R-P	12080063	PCB pins one-piece	A-CODE	1.5A	30V		<table border="1"> <thead> <tr> <th>Pin</th> <th>X</th> <th>Y</th> </tr> </thead> <tbody> <tr> <td>1</td> <td>-0.90</td> <td>-1.65</td> </tr> <tr> <td>2</td> <td>0.90</td> <td>-1.65</td> </tr> <tr> <td>3</td> <td>1.85</td> <td>-0.35</td> </tr> <tr> <td>4</td> <td>1.45</td> <td>1.20</td> </tr> <tr> <td>5</td> <td>0.00</td> <td>1.85</td> </tr> <tr> <td>6</td> <td>-1.45</td> <td>1.20</td> </tr> <tr> <td>7</td> <td>-1.85</td> <td>-0.35</td> </tr> <tr> <td>8</td> <td>0.00</td> <td>0.00</td> </tr> </tbody> </table>	Pin	X	Y	1	-0.90	-1.65	2	0.90	-1.65	3	1.85	-0.35	4	1.45	1.20	5	0.00	1.85	6	-1.45	1.20	7	-1.85	-0.35	8	0.00	0.00
Pin	X	Y																																
1	-0.90	-1.65																																
2	0.90	-1.65																																
3	1.85	-0.35																																
4	1.45	1.20																																
5	0.00	1.85																																
6	-1.45	1.20																																
7	-1.85	-0.35																																
8	0.00	0.00																																

* M8 rear mount receptacle connector *

M8 Male, receptacle connector, front mounting



Technical data

- Housing material: Zinc/Nickel-plated
- Coupling nut: Zinc/Nickel-plated
- Contact carrier: PA66/Black
- Pin: Brass/Gold-plated
- O-ring: FPM/FKM
- Insulation resistance: $\geq 100M\Omega$
- Forward resistance: $\leq 5m\Omega$
- Degree of pollution: 3
- Ambient temperature: $-25\sim +85^{\circ}C$
- Degree of protection: IP67
- Plug: M8×1
- Coding: A-CODE/B-CODE
- Insertion/withdrawal cycles: ≥ 100
- Standards: IEC 61076-2-104
- Torque: 1.5~2.5 Nm (mounting side)
- Connection mode: with wire

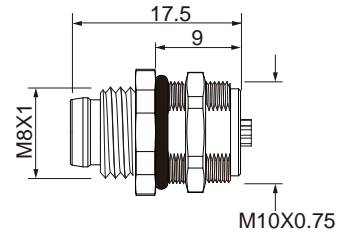
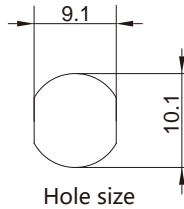
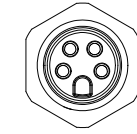
Key Commercial Data

- Weight: 3Pin/6g, 4Pin/6.3g (excluding cable)
- Packing unit: 2M/10PCS/Bag, 5M/5PCS/Bag, 10M/1PCS/Bag
Small package (200×150×100), Medium (330×250×150), Large (400×300×230) mm

Type No.	ID No.	Length	Mode	Coding	Current	Voltage	Wire gauge	Pinout	Wire colors
FSAM3F-0.5/M10	12080064	0.5M	with wire	A-CODE	3A	60V	3×0.25 (3×24AWG)		1 = BN 3 = BU 4 = BK
FSAM4F-0.5/M10	12080065	0.5M	with wire	A-CODE	3A	60V	4×0.25 (4×24AWG)		1 = BN 2 = WH 3 = BU 4 = BK
FSBM5F-0.5/M10	12080066	0.5M	with wire	B-CODE	3A	30V	5×0.25 (5×24AWG)		1 = BN 2 = WH 3 = BU 4 = BK 5 = GY
FSAM6F-0.5/M10	12080067	0.5M	with wire	A-CODE	2A	30V	6×0.14 (6×26AWG)		1 = BN 2 = WH 3 = BU 4 = BK 5 = GY 6 = PK
FSAM8F-0.5/M10	12080068	0.5M	with wire	A-CODE	1.5A	30V	8×0.14 (8×26AWG)		1 = WH 2 = BN 3 = GN 4 = YE 5 = GY 6 = PK 7 = BU 8 = RD

* M8 front mount receptacle connector *

M8 Male, receptacle connector, front mounting, solder cup



Technical data

- Housing material: Zinc/Nickel-plated
- Coupling nut: Zinc/Nickel-plated
- Contact carrier: PA66/Black
- Pin: Brass/Gold-plated
- O-ring: FPM/FKM
- Insulation resistance: $\geq 100M\Omega$
- Forward resistance: $\leq 5m\Omega$
- Degree of pollution: 3
- Ambient temperature: $-25\sim +85^{\circ}C$
- Degree of protection: IP67
- Plug: M8×1
- Coding: A-CODE/B-CODE
- Insertion/withdrawal cycles: ≥ 100
- Standards: IEC 61076-2-104
- Torque: 1.5~2.5 Nm (mounting side)
- Connection mode: Solder cup

Key Commercial Data

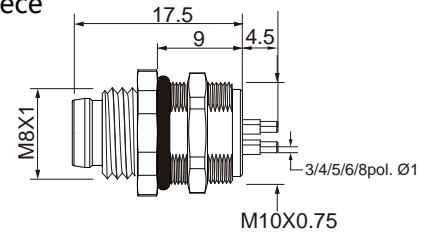
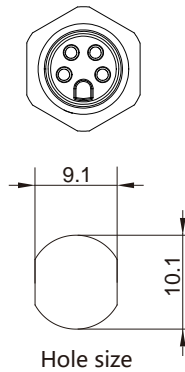
- Weight: 3Pin/6g, 4Pin/6.3g (excluding cable)
- Packing unit: 2M/10PCS/Bag, 5M/5PCS/Bag, 10M/1PCS/Bag
- Small package (200×150×100), Medium (330×250×150), Large (400×300×230) mm

Type No.	ID No.	Mode	Coding	Current	Voltage	Wire gauge	Pinout
FSAM3F-L/M10	12080069	Solder cup	A-CODE	4A	60V	Accept 0.34mm ² (22AWG) max	
FSAM4F-L/M10	12080070	Solder cup	A-CODE	4A	60V	Accept 0.34mm ² (22AWG) max	
FSBM5F-L/M10	12080071	Solder cup	B-CODE	4A	30V	Accept 0.34mm ² (22AWG) max	
FSAM6F-L/M10	12080072	Solder cup	A-CODE	2A	30V	Accept 0.25mm ² (24AWG) max	
FSAM8F-L/M10	12080073	Solder cup	A-CODE	1.5A	30V	Accept 0.14mm ² (26AWG) max	

* M8 front mount receptacle connector *

M8 A/B-code receptacle connector 3/4/5/6/8pins

M8 Male, receptacle connector, front mounting, PCB pins one-piece



Technical data

- Housing material: Zinc/Nickel-plated
- Coupling nut: Zinc/Nickel-plated
- Contact carrier: PA66/Black
- Pin: Brass/Gold-plated
- O-ring: FPM/FKM
- Insulation resistance: $\geq 100M\Omega$
- Forward resistance: $\leq 5m\Omega$
- Degree of pollution: 3
- Ambient temperature: $-25\sim +85^{\circ}C$
- Degree of protection: IP67
- Plug: M8×1
- Coding: A-CODE/B-CODE
- Insertion/withdrawal cycles: ≥ 100
- Standards: IEC 61076-2-104
- Torque: 1.5~2.5 Nm (mounting side)
- Connection mode: PCB pins one-piece

Key Commercial Data

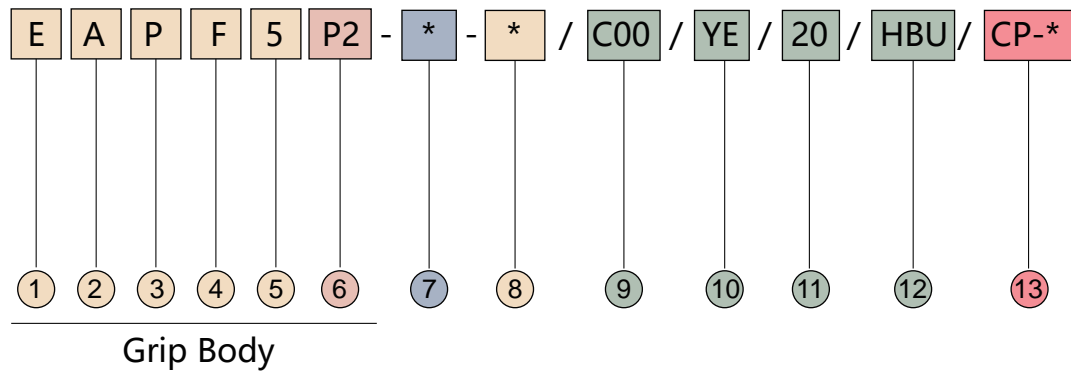
- Weight: 3Pin/6g, 4Pin/6.3g (excluding cable)
- Packing unit: 2M/10PCS/Bag, 5M/5PCS/Bag, 10M/1PCS/Bag
Small package (200×150×100), Medium (330×250×150), Large (400×300×230) mm

Type No.	ID No.	Mode	Coding	Current	Voltage	Pinout	PCB pin position																											
FSAM3F-P/M10	12080074	PCB pins one-piece	A-CODE	4A	60V		<table border="1"> <thead> <tr> <th>Pin</th> <th>X</th> <th>Y</th> </tr> </thead> <tbody> <tr> <td>1</td> <td>-1.75</td> <td>0.00</td> </tr> <tr> <td>2</td> <td>-</td> <td>-</td> </tr> <tr> <td>3</td> <td>1.75</td> <td>0.00</td> </tr> <tr> <td>4</td> <td>0.00</td> <td>1.75</td> </tr> </tbody> </table>	Pin	X	Y	1	-1.75	0.00	2	-	-	3	1.75	0.00	4	0.00	1.75												
Pin	X	Y																																
1	-1.75	0.00																																
2	-	-																																
3	1.75	0.00																																
4	0.00	1.75																																
FSAM4F-P/M10	12080075	PCB pins one-piece	A-CODE	4A	60V		<table border="1"> <thead> <tr> <th>Pin</th> <th>X</th> <th>Y</th> </tr> </thead> <tbody> <tr> <td>1</td> <td>-1.75</td> <td>-0.50</td> </tr> <tr> <td>2</td> <td>-1.08</td> <td>1.45</td> </tr> <tr> <td>3</td> <td>1.70</td> <td>-0.50</td> </tr> <tr> <td>4</td> <td>1.08</td> <td>1.45</td> </tr> </tbody> </table>	Pin	X	Y	1	-1.75	-0.50	2	-1.08	1.45	3	1.70	-0.50	4	1.08	1.45												
Pin	X	Y																																
1	-1.75	-0.50																																
2	-1.08	1.45																																
3	1.70	-0.50																																
4	1.08	1.45																																
FSBM5F-P/M10	12080076	PCB pins one-piece	B-CODE	4A	30V		<table border="1"> <thead> <tr> <th>Pin</th> <th>X</th> <th>Y</th> </tr> </thead> <tbody> <tr> <td>1</td> <td>-1.70</td> <td>-0.35</td> </tr> <tr> <td>2</td> <td>-0.975</td> <td>1.45</td> </tr> <tr> <td>3</td> <td>1.70</td> <td>-0.35</td> </tr> <tr> <td>4</td> <td>0.975</td> <td>1.45</td> </tr> <tr> <td>5</td> <td>0</td> <td>-1.35</td> </tr> </tbody> </table>	Pin	X	Y	1	-1.70	-0.35	2	-0.975	1.45	3	1.70	-0.35	4	0.975	1.45	5	0	-1.35									
Pin	X	Y																																
1	-1.70	-0.35																																
2	-0.975	1.45																																
3	1.70	-0.35																																
4	0.975	1.45																																
5	0	-1.35																																
FSAM6F-P/M10	12080077	PCB pins one-piece	A-CODE	2A	30V		<table border="1"> <thead> <tr> <th>Pin</th> <th>X</th> <th>Y</th> </tr> </thead> <tbody> <tr> <td>1</td> <td>-1.37</td> <td>-1.32</td> </tr> <tr> <td>2</td> <td>1.37</td> <td>-1.32</td> </tr> <tr> <td>3</td> <td>1.75</td> <td>0.74</td> </tr> <tr> <td>4</td> <td>0.00</td> <td>1.90</td> </tr> <tr> <td>5</td> <td>-1.75</td> <td>0.74</td> </tr> <tr> <td>6</td> <td>0.00</td> <td>0.00</td> </tr> </tbody> </table>	Pin	X	Y	1	-1.37	-1.32	2	1.37	-1.32	3	1.75	0.74	4	0.00	1.90	5	-1.75	0.74	6	0.00	0.00						
Pin	X	Y																																
1	-1.37	-1.32																																
2	1.37	-1.32																																
3	1.75	0.74																																
4	0.00	1.90																																
5	-1.75	0.74																																
6	0.00	0.00																																
FSAM8F-P/M10	12080078	PCB pins one-piece	A-CODE	1.5A	30V		<table border="1"> <thead> <tr> <th>Pin</th> <th>X</th> <th>Y</th> </tr> </thead> <tbody> <tr> <td>1</td> <td>-0.90</td> <td>-1.65</td> </tr> <tr> <td>2</td> <td>0.90</td> <td>-1.65</td> </tr> <tr> <td>3</td> <td>1.85</td> <td>-0.35</td> </tr> <tr> <td>4</td> <td>1.45</td> <td>1.20</td> </tr> <tr> <td>5</td> <td>0.00</td> <td>1.85</td> </tr> <tr> <td>6</td> <td>-1.45</td> <td>1.20</td> </tr> <tr> <td>7</td> <td>-1.85</td> <td>-0.35</td> </tr> <tr> <td>8</td> <td>0.00</td> <td>0.00</td> </tr> </tbody> </table>	Pin	X	Y	1	-0.90	-1.65	2	0.90	-1.65	3	1.85	-0.35	4	1.45	1.20	5	0.00	1.85	6	-1.45	1.20	7	-1.85	-0.35	8	0.00	0.00
Pin	X	Y																																
1	-0.90	-1.65																																
2	0.90	-1.65																																
3	1.85	-0.35																																
4	1.45	1.20																																
5	0.00	1.85																																
6	-1.45	1.20																																
7	-1.85	-0.35																																
8	0.00	0.00																																

* M8 front mount receptacle connector *

M8 M12 7/8" M16 M23 CC-LINK DeviceNet Profibus-DP E-Net & P-Net 分支器及分线盒 阀式连接器

M12 CONNECTOR



- ① E = M12, Straight
EW = M12, Right angle
- ② A-code B-code S-code Y-code
C-code D-code T-code M-code
P-code X-code K-code
 L-code
- ③ Blank = Zinc die-cast, nickel-plated
V = Stainless steel nut
P = Plastic nut
- ④ M = Male
F = Female
- ⑤ Number of pins
Contact distribution
- ⑥ LED indicator
Blank = Without LED
P2 = PNP LED:
Pin1 (Power) =GN, Pin4=YE
P3 = PNP LED:
Pin1 (Power) =GN, Pin2=YE, Pin4=YE
P3.1 = PNP LED:
Pin1 (Power) =GN, Pin2=RD, Pin4=YE
NPN, LED, Number and Color refer to PNP, N2,N3,N3.1
- ⑦ Length(M)
Can be customized
With 0.1M as increment
The shortest length is 0.2M
- ⑧ Blank = Single-ended
Double-ended = part number key refer to "Grip Body"
- ⑨ Reference cable code
- ⑩ Color of cable
Blank = Standard color
Customized cable color
YE = Yellow
GY = Gray
- ⑪ Wire gauge
Blank = Standard wire gauge
Customized wire gauge
24 24AWG: 0.25 mm²
22 22AWG: 0.34 mm²
....
- ⑫ Color of plug body
Blank = Standard color (Yellow)
Customized plug body color
HBK Black
HBU Blue
- ⑬ Customized products
* = Customized code

M8

M12

7/8"

M16

M23

阀式连接器

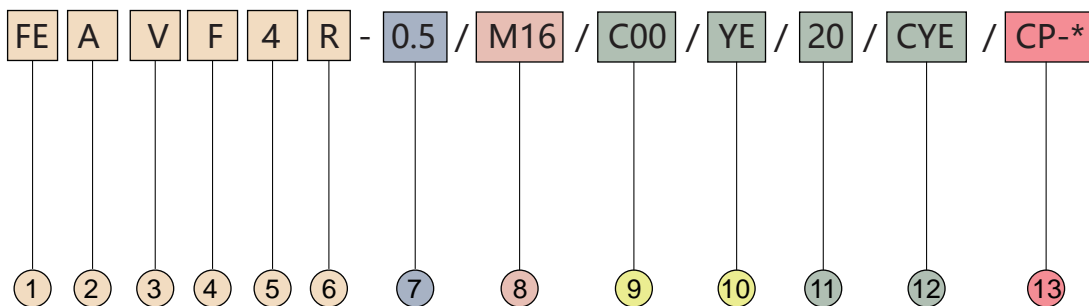
分支器&分线盒

E-Net & P-Net

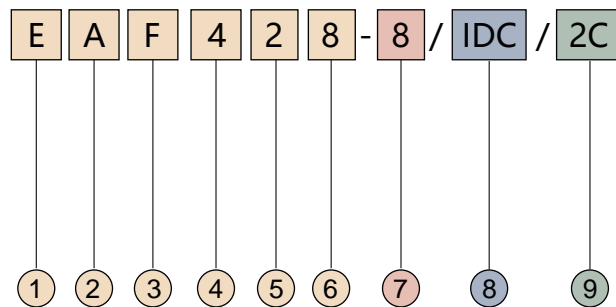
Profibus-DP

DeviceNet

CC-LINK

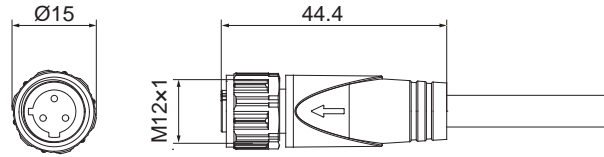


- ① M12 Receptacle connector
- ② A-code B-code S-code Y-code
C-code D-code T-code M-code
P-code X-code K-code
L-code
- ③ Blank = Zinc die-cast, nickel-plated
V = Stainless steel nut
P = Plastic nut
- ④ M = Male
F = Female
- ⑤ Number of pins
- ⑥ R = Rear mounting
F = Front mounting
A = Adjustable length and socket angle
M = Front mount, rotating coupling nut
- ⑦ Cable Length(M)
0.5 = Cable length 0.5M
Can be customized
L = Solder cup
C = Crimp connection
P = PCB pins one-piece
PS = PCB pins with shield contact one-piece
PW = PCB pins Angled wave soldering two-piece
PWS = PCB pins Angled shielded wave soldering two-piece
PT = PCB pins Straight wave soldering two-piece
PTS = PCB pins Straight shielded wave soldering two-piece
- ⑧ Mounting thread
Blank = PG9
M16 = M16×1.5
M20 = M20×1.5
PG13.5 = PG13.5
14.5NPT = 1/2-14NPT
14.5NPSM = 1/2-14NPSM
RS14 = Rectangular screw connection 14mm
- ⑨ Connection Type
Blank = Threaded connection
PP = Push-Pull connection
- ⑩ Reference cable code
Blank = Non Pre-moulding connector
- ⑪ Color of cable jacket
Blank = Standard color
Item 10 can only be defined when item 9 is selected
- ⑫ Wire gauge
Blank = Standard wire gauge
Customized wire gauge
24 24AWG: 0.25 mm²
22 22AWG: 0.34 mm²
....
- ⑬ Color of contact carrier
Blank = Standard color (Black)
CYE = Yellow contact carrier
CGN = Green contact carrier
CVT = Violet contact carrier
- ⑭ Customized products
* = Customized code



- ① E = M12, Straight
EW = M12, Right angle
- ② A-code B-code S-code Y-code
C-code D-code T-code M-code
P-code X-code K-code
 L-code
- ③ M = Male
F = Female
- ④ Number of pins
Contact distribution
- ⑤ 1 = Ag plated brass
2 = Au plated brass
- ⑥ Housing material
1 = Plastic housing, plastic coupling nut
2 = Plastic housing, metal coupling nut
3 = Plastic housing, stainless steel coupling nut
4 = Transparent plastic housing, plastic coupling nut
8 = Metal housing
9 = Stainless steel housing
- ⑦ Cable Installation Dimensions
8 = 4~8 mm
(Acceptable cable diameter 4-8 mm)
- ⑧ Connection cable
Blank = Screw connection
C = Crimp connection
L = Solder connection
P = Piercecon connection
S = Spring clamp connection
IDC = Insulation displacement contact
- ⑨ Number of connectable cables
Blank = One cables
2C = Two cables

M12 Female, Pre-moulding connector, Anti-vibration



Technical data

- Plug body: TPU/Yellow
- Coupling nut: Zinc/Nickel-plated
- Contact carrier: TPU+GF/Black
- Pin: Brass/Gold-plated
- O-ring: FPM/FKM
- Insulation resistance: $\geq 100M\Omega$
- Forward resistance: $\leq 5m\Omega$
- Degree of pollution: 3
- Ambient temperature: $-25\sim +85^{\circ}C$
- Degree of protection: IP67
- Plug: M12x1
- Coding: C-CODE
- Insertion/withdrawal cycles: ≥ 100
- Standards: IEC 61076-2-101
- Torque: 0.4 Nm (M12 Plug connector)
- Cable: Refer to cable specification for detailed data

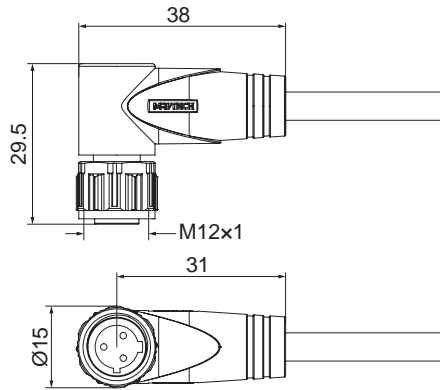
Key Commercial Data

- Weight: 4Pin/10g, 5Pin/10.3g (excluding cable)
- Packing unit: 2M/10PCS/Bag, 5M/5PCS/Bag, 10M/1PCS/Bag
Small package (200x150x100), Medium (330x250x150), Large (400x300x230) mm

Type No.	ID No.	Length	Angle	Coding	Current	Voltage	Wire gauge	Pinout	Wire colors
ECF3-2/C00	10120999	2M	Straight	C-CODE	4A	250V	3x0.34 (3x22AWG) Black PVC, OD=5.2 No.: 19800142		1 = GN 3 = RD/BK 4 = RD/WH
ECF3-5/C00	10121000	5M							
ECF3-10/C00	10121001	10M							
ECF4-2/C00	10121002	2M	Straight	C-CODE	4A	250V	4x0.34 (4x22AWG) Black PVC, OD=5.2 No.: 19800143		1 = RD/BK 2 = RD/WH 3 = RD 4 = GN
ECF4-5/C00	10121003	5M							
ECF4-10/C00	10121004	10M							

* Standard cable lengths are 2/5/10M, Consult factory for other lengths. Optional cable C00: fixed installation of PVC, C10: fixed installation of oil-resistant PUR, C13: drag chain installation of PUR.

M12 Right angle Female, Pre-moulding connector, Anti-vibration



Technical data

- Plug body: TPU/Yellow
- Coupling nut: Zinc/Nickel-plated
- Contact carrier: TPU+GF/Black
- Pin: Brass/Gold-plated
- O-ring: FPM/FKM
- Insulation resistance: $\geq 100M\Omega$
- Forward resistance: $\leq 5m\Omega$
- Degree of pollution: 3
- Ambient temperature: $-25\sim +85^{\circ}C$
- Degree of protection: IP67
- Plug: M12x1
- Coding: C-CODE
- Insertion/withdrawal cycles: ≥ 100
- Standards: IEC 61076-2-101
- Torque: 0.4 Nm (M12 Plug connector)
- Cable: Refer to cable specification for detailed data

Key Commercial Data

- Weight: 4Pin/10g, 5Pin/10.3g (excluding cable)
- Packing unit: 2M/10PCS/Bag, 5M/5PCS/Bag, 10M/1PCS/Bag
Small package (200x150x100), Medium (330x250x150), Large (400x300x230) mm

Type No.	ID No.	Length	Angle	Coding	Current	Voltage	Wire gauge	Pinout	Wire colors
EWCF3-2/C00	10121005	2M	Right angle	C-CODE	4A	250V	3x0.34 (3x22AWG) Black PVC, OD=5.2 No.: 19800142		1 = GN 3 = RD/BK 4 = RD/WH
EWCF3-5/C00	10121006	5M							
EWCF3-10/C00	10121007	10M							
EWCF4-2/C00	10121008	2M	Right angle	C-CODE	4A	250V	4x0.34 (4x22AWG) Black PVC, OD=5.2 No.: 19800143		1 = RD/BK 2 = RD/WH 3 = RD 4 = GN
EWCF4-5/C00	10121009	5M							
EWCF4-10/C00	10121010	10M							

* Standard cable lengths are 2/5/10M, Consult factory for other lengths. Optional cable C00: fixed installation of PVC, C10: fixed installation of oil-resistant PUR, C13: drag chain installation of PUR.

M8

M12

7/8"

M16

M23

M23 阀式连接器

分支器及分线盒

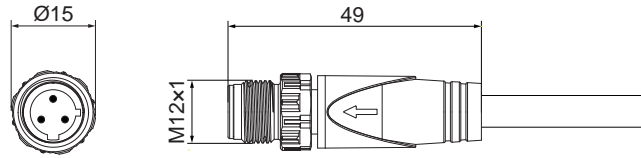
E-Net & P-Net

Profibus-DP

DeviceNet

CC-LINK

M12 Male, Pre-moulding connector, Anti-vibration



Technical data

- Plug body: TPU/Yellow
- Coupling nut: Zinc/Nickel-plated
- Contact carrier: TPU+GF/Black
- Pin: Brass/Gold-plated
- O-ring: FPM/FKM
- Insulation resistance: $\geq 100M\Omega$
- Forward resistance: $\leq 5m\Omega$
- Degree of pollution: 3
- Ambient temperature: $-25\sim +85^{\circ}C$
- Degree of protection: IP67
- Plug: M12x1
- Coding: C-CODE
- Insertion/withdrawal cycles: ≥ 100
- Standards: IEC 61076-2-101
- Torque: 0.4 Nm (M12 Plug connector)
- Cable: Refer to cable specification for detailed data

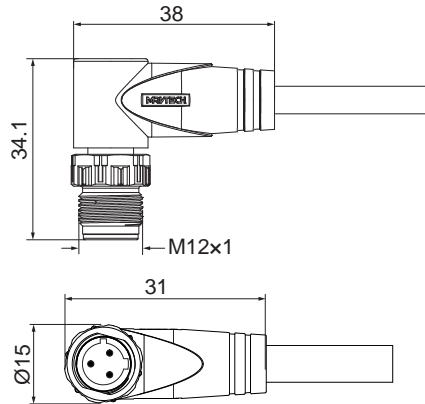
Key Commercial Data

- Weight: 4Pin/10g, 5Pin/10.3g (excluding cable)
- Packing unit: 2M/10PCS/Bag, 5M/5PCS/Bag, 10M/1PCS/Bag
Small package (200x150x100) , Medium (330x250x150) , Large (400x300x230) mm

Type No.	ID No.	Length	Angle	Coding	Current	Voltage	Wire gauge	Pinout	Wire colors
ECM3-2/C00	10121011	2M	Straight	C-CODE	4A	250V	3x0.34 (3x22AWG) Black PVC, OD=5.2 No.: 19800142		1 = GN 3 = RD/BK 4 = RD/WH
ECM3-5/C00	10121012	5M							
ECM3-10/C00	10121013	10M							
ECM4-2/C00	10121014	2M	Straight	C-CODE	4A	250V	4x0.34 (4x22AWG) Black PVC, OD=5.2 No.: 19800143		1 = RD/BK 2 = RD/WH 3 = RD 4 = GN
ECM4-5/C00	10121015	5M							
ECM4-10/C00	10121016	10M							

* Standard cable lengths are 2/5/10M, Consult factory for other lengths. Optional cable C00: fixed installation of PVC, C10: fixed installation of oil-resistant PUR, C13: drag chain installation of PUR.

M12 Right angle Male, Pre-moulding connector, Anti-vibration



Technical data

- Plug body: TPU/Yellow
- Coupling nut: Zinc/Nickel-plated
- Contact carrier: TPU+GF/Black
- Pin: Brass/Gold-plated
- O-ring: FPM/FKM
- Insulation resistance: $\geq 100M\Omega$
- Forward resistance: $\leq 5m\Omega$
- Degree of pollution: 3
- Ambient temperature: $-25\sim +85^{\circ}C$
- Degree of protection: IP67
- Plug: M12x1
- Coding: C-CODE
- Insertion/withdrawal cycles: ≥ 100
- Standards: IEC 61076-2-101
- Torque: 0.4 Nm (M12 Plug connector)
- Cable: Refer to cable specification for detailed data

Key Commercial Data

- Weight: 4Pin/10g, 5Pin/10.3g (excluding cable)
- Packing unit: 2M/10PCS/Bag, 5M/5PCS/Bag, 10M/1PCS/Bag
Small package (200x150x100), Medium (330x250x150), Large (400x300x230) mm

Type No.	ID No.	Length	Angle	Coding	Current	Voltage	Wire gauge	Pinout	Wire colors
EWCM3-2/C00	10121017	2M	Right angle	C-CODE	4A	250V	3x0.34 (3x22AWG) Black PVC, OD=5.2 No.: 19800142		1 = GN 3 = RD/BK 4 = RD/WH
EWCM3-5/C00	10121018	5M							
EWCM3-10/C00	10121019	10M							
EWCM4-2/C00	10121020	2M	Right angle	C-CODE	4A	250V	4x0.34 (4x22AWG) Black PVC, OD=5.2 No.: 19800143		1 = RD/BK 2 = RD/WH 3 = RD 4 = GN
EWCM4-5/C00	10121021	5M							
EWCM4-10/C00	10121022	10M							

* Standard cable lengths are 2/5/10M, Consult factory for other lengths. Optional cable C00: fixed installation of PVC, C10: fixed installation of oil-resistant PUR, C13: drag chain installation of PUR.

M8

M12

7/8"

M16

M23

M23 阀式连接器

分支器&分线盒

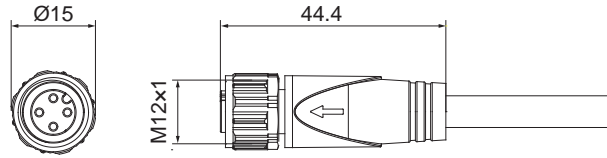
E-Net & P-Net

Profibus-DP

DeviceNet

CC-LINK

M12 Female, Pre-moulding connector, Anti-vibration



Technical data

- Plug body: TPU/Yellow
- Coupling nut: Zinc/Nickel-plated
- Contact carrier: TPU+GF/Black
- Pin: Brass/Gold-plated
- O-ring: FPM/FKM
- Insulation resistance: $\geq 100M\Omega$
- Forward resistance: $\leq 5m\Omega$
- Degree of pollution: 3
- Ambient temperature: $-25\sim +85^{\circ}C$
- Degree of protection: IP67
- Plug: M12×1
- Coding: A-CODE
- Insertion/withdrawal cycles: ≥ 100
- Standards: IEC 61076-2-101
- Torque: 0.4 Nm (M12 Plug connector)
- Cable: Refer to cable specification for detailed data

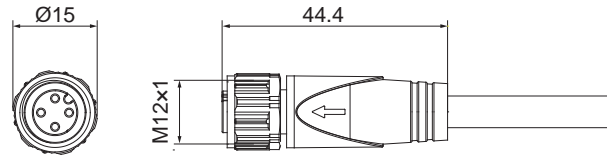
Key Commercial Data

- Weight: 4Pin/10g, 5Pin/10.3g (excluding cable)
- Packing unit: 2M/10PCS/Bag, 5M/5PCS/Bag, 10M/1PCS/Bag
Small package (200×150×100), Medium (330×250×150), Large (400×300×230) mm

Type No.	ID No.	Length	Angle	Coding	Current	Voltage	Wire gauge	Pinout	Wire colors
EAF4.2-2/C00	10120030	2M	Straight	A-CODE	4A	250V	2×0.34 (2×22AWG) Black PVC, OD=5.2 No.: 19800012		1 = N/C 2 = N/C 3 = BN 4 = BU
EAF4.2-5/C00	10120031	5M							
EAF4.2-10/C00	10120032	10M							
EAF3-2/C00	10120011	2M	Straight	A-CODE	4A	250V	3×0.34 (3×22AWG) Black PVC, OD=5.2 No.: 19800013		1 = BN 2 = N/C 3 = BU 4 = BK
EAF3-5/C00	10120036	5M							
EAF3-10/C00	10120037	10M							
EAF4-2/C00	10120014	2M	Straight	A-CODE	4A	250V	4×0.34 (4×22AWG) Black PVC, OD=5.2 No.: 19800014		1 = BN 2 = WH 3 = BU 4 = BK
EAF4-5/C00	10120041	5M							
EAF4-10/C00	10120021	10M							
EAF4.5-2/C00	10120045	2M	Straight	A-CODE	4A	250V	5×0.34 (5×22AWG) Black PVC, OD=5.2 No.: 19800015		1 = BN 2 = WH 3 = BU 4 = BK 5 = GY
EAF4.5-5/C00	10120046	5M							
EAF4.5-10/C00	10120047	10M							
EAF5-2/C00	10120016	2M	Straight	A-CODE	4A	250V	4×0.34+1×0.5 (4×22+1×20AWG) Black PVC, OD=5.2 No.: 19800016		1 = BN 2 = WH 3 = BU 4 = BK 5 = GN/YE
EAF5-5/C00	10120051	5M							
EAF5-10/C00	10120052	10M							

* Standard cable lengths are 2/5/10M, Consult factory for other lengths. Optional cable C00: fixed installation of PVC, C10: fixed installation of oil-resistant PUR, C13: drag chain installation of PUR.

M12 Female, Pre-moulding connector, Anti-vibration



Technical data

- Plug body: TPU/Yellow
- Coupling nut: Zinc/Nickel-plated
- Contact carrier: TPU+GF/Black
- Pin: Brass/Gold-plated
- O-ring: FPM/FKM
- Insulation resistance: $\geq 100M\Omega$
- Forward resistance: $\leq 5m\Omega$
- Degree of pollution: 3
- Ambient temperature: $-25\sim +85^{\circ}C$
- Degree of protection: IP67
- Plug: M12x1
- Coding: A-CODE
- Insertion/withdrawal cycles: ≥ 100
- Standards: IEC 61076-2-101
- Torque: 0.4 Nm (M12 Plug connector)
- Cable: Refer to cable specification for detailed data

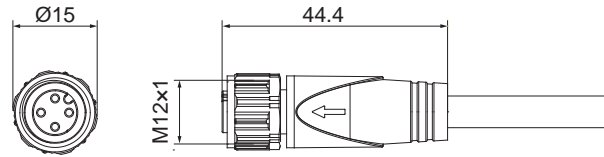
Key Commercial Data

- Weight: 8Pin/11.2g (excluding cable)
- Packing unit: 2M/10PCS/Bag, 5M/5PCS/Bag, 10M/1PCS/Bag
Small package (200x150x100), Medium (330x250x150), Large (400x300x230) mm

Type No.	ID No.	Length	Angle	Coding	Current	Voltage	Wire gauge	Pinout	Wire colors
EAF6-2/C00	10121023	2M	Straight	A-CODE	4A	250V	6x0.25 (6x24AWG) Black PVC, OD=5.6 No.: 19800018		1 = BN
EAF6-5/C00	10121024	5M							2 = WH
EAF6-10/C00	10121025	10M							3 = BU 4 = BK 5 = GY 6 = PK
EAF6B-2/C00	10121026	2M	Straight	A-CODE	4A	30V		1 = BN	
EAF6B-5/C00	10121027	5M						2 = WH	
EAF6B-10/C00	10121028	10M						3 = BU 4 = PK 5 = GY 6 = BK	
EAF8-2/C00	10120056	2M	Straight	A-CODE	2A	60V		1 = WH	
EAF8-5/C00	10120057	5M						2 = BN	
EAF8-10/C00	10120058	10M						3 = GN 4 = YE 5 = GY 6 = PK 7 = BU 8 = RD	

* Standard cable lengths are 2/5/10M, Consult factory for other lengths. Optional cable C00: fixed installation of PVC, C10: fixed installation of oil-resistant PUR, C13: drag chain installation of PUR.

M12 Female, Pre-moulding connector, Anti-vibration



Technical data

- Plug body: TPU/Yellow
- Coupling nut: Zinc/Nickel-plated
- Contact carrier: TPU+GF/Black
- Pin: Brass/Gold-plated
- O-ring: FPM/FKM
- Insulation resistance: $\geq 100M\Omega$
- Forward resistance: $\leq 5m\Omega$
- Degree of pollution: 3
- Ambient temperature: $-25\sim +85^{\circ}C$
- Degree of protection: IP67
- Plug: M12x1
- Coding: A-CODE
- Insertion/withdrawal cycles: ≥ 100
- Standards: IEC 61076-2-101
- Torque: 0.4 Nm (M12 Plug connector)
- Cable: Refer to cable specification for detailed data

Key Commercial Data

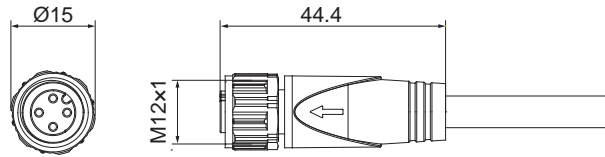
- Weight: 12Pin/15g (excluding cable)
- Packing unit: 2M/10PCS/Bag, 5M/5PCS/Bag, 10M/1PCS/Bag
Small package (200x150x100), Medium (330x250x150), Large (400x300x230) mm

Type No.	ID No.	Length	Angle	Coding	Current	Voltage	Wire gauge	Pinout	Wire colors
EAF12-2/C00	10121029	2M	Straight	A-CODE	2A	60V	12x0.25 (12x24AWG) Black PVC, OD=7.3 No.: 19800019		1 = BN 2 = BU 3 = WH 4 = GN 5 = PK 6 = YE 7 = BK 8 = GY 9 = RD 10 = VT 11 = GY/PK 12 = RD/BU
EAF12-5/C00	10121030	5M							
EAF12-10/C00	10120935	10M							

* Standard cable lengths are 2/5/10M, Consult factory for other lengths. Optional cable C00: fixed installation of PVC, C10: fixed installation of oil-resistant PUR, C13: drag chain installation of PUR.

M12 A-code pre-moulding connector 17pins

M12 Female, Pre-moulding connector, Anti-vibration



Technical data

- Plug body: TPU/Yellow
- Coupling nut: Zinc/Nickel-plated
- Contact carrier: TPU+GF/Black
- Pin: Brass/Gold-plated
- O-ring: FPM/FKM
- Insulation resistance: $\geq 100M\Omega$
- Forward resistance: $\leq 5m\Omega$
- Degree of pollution: 3
- Ambient temperature: $-25\sim +85^{\circ}C$
- Degree of protection: IP67
- Plug: M12x1
- Coding: A-CODE
- Insertion/withdrawal cycles: ≥ 100
- Standards: IEC 61076-2-101
- Torque: 0.4 Nm (M12 Plug connector)
- Cable: Refer to cable specification for detailed data

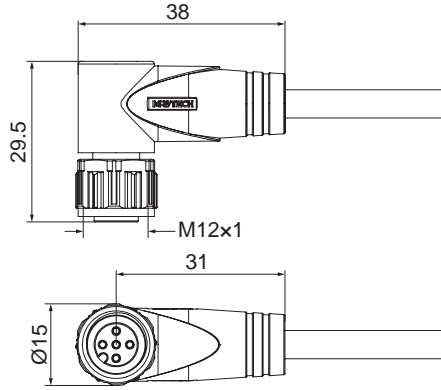
Key Commercial Data

- Weight: 17Pin/11.2g (excluding cable)
- Packing unit: 2M/10PCS/Bag, 5M/5PCS/Bag, 10M/1PCS/Bag
Small package (200x150x100), Medium (330x250x150), Large (400x300x230) mm

Type No.	ID No.	Length	Angle	Coding	Current	Voltage	Wire gauge	Pinout	Wire colors
EAF17-2/C00	10120984	2M	Straight	A-CODE	1.5A	30V	7P×0.14+3×0.14 7P×26+3×26AWG Black PVC, OD=8.2 No.: 19800168		1 = BN
EAF17-5/C00	10121031	5M							2 = BU
EAF17-10/C00	10121032	10M							3 = WH
									4 = GN
									5 = PK
									6 = YE
									7 = BK
									8 = GY
									9 = RD
									10 = VT
									11 = GY/PK
									12 = RD/BU
									13 = WH/GN
									14 = BN/GN
									15 = WH/YE
									16 = YE/BN
									17 = WH/GY

* Standard cable lengths are 2/5/10M, Consult factory for other lengths. Optional cable C00: fixed installation of PVC, C10: fixed installation of oil-resistant PUR, C13: drag chain installation of PUR.

M12 Angled Female, Pre-moulding connector, Anti-vibration



Technical data

- Plug body: TPU/Yellow
- Coupling nut: Zinc/Nickel-plated
- Contact carrier: TPU+GF/Black
- Pin: Brass/Gold-plated
- O-ring: FPM/FKM
- Insulation resistance: $\geq 100M\Omega$
- Forward resistance: $\leq 5m\Omega$
- Degree of pollution: 3
- Ambient temperature: $-25\sim +85^{\circ}C$
- Degree of protection: IP67
- Plug: M12x1
- Coding: A-CODE
- Insertion/withdrawal cycles: ≥ 100
- Standards: IEC 61076-2-101
- Torque: 0.4 Nm (M12 Plug connector)
- Cable: Refer to cable specification for detailed data

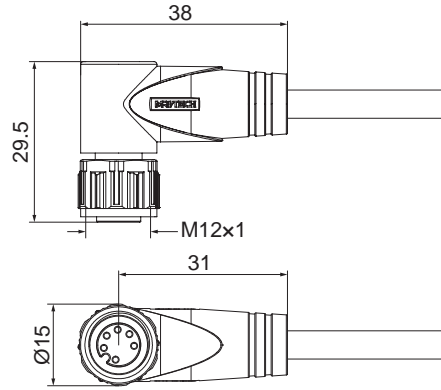
Key Commercial Data

- Weight: 4Pin/10g, 5Pin/10.3g (excluding cable)
- Packing unit: 2M/10PCS/Bag, 5M/5PCS/Bag, 10M/1PCS/Bag
- Small package (200×150×100), Medium (330×250×150), Large (400×300×230) mm

Type No.	ID No.	Length	Angle	Coding	Current	Voltage	Wire gauge	Pinout	Wire colors
EWAF4.2-2/C00	10120033	2M	Right angle	A-CODE	4A	250V	2×0.34 (2×22AWG) Black PVC, OD=5.2 No.: 19800012		1 = N/C 2 = N/C 3 = BN 4 = BU
EWAF4.2-5/C00	10120034	5M							
EWAF4.2-10/C00	10120035	10M							
EWAF3-2/C00	10120038	2M	Right angle	A-CODE	4A	250V	3×0.34 (3×22AWG) Black PVC, OD=5.2 No.: 19800013		1 = BN 2 = N/C 3 = BU 4 = BK
EWAF3-5/C00	10120039	5M							
EWAF3-10/C00	10120040	10M							
EWAF4-2/C00	10120042	2M	Right angle	A-CODE	4A	250V	4×0.34 (4×22AWG) Black PVC, OD=5.2 No.: 19800014		1 = BN 2 = WH 3 = BU 4 = BK
EWAF4-5/C00	10120043	5M							
EWAF4-10/C00	10120044	10M							
EWAF4.5-2/C00	10120048	2M	Right angle	A-CODE	4A	250V	5×0.34 (5×22AWG) Black PVC, OD=5.2 No.: 19800015		1 = BN 2 = WH 3 = BU 4 = BK 5 = GY
EWAF4.5-5/C00	10120049	5M							
EWAF4.5-10/C00	10120050	10M							
EWAF5-2/C00	10120053	2M	Right angle	A-CODE	4A	250V	4×0.34+1×0.5 (4×22+1×20AWG) Black PVC, OD=5.2 No.: 19800016		1 = BN 2 = WH 3 = BU 4 = BK 5 = GN/YE
EWAF5-5/C00	10120054	5M							
EWAF5-10/C00	10120055	10M							

* Standard cable lengths are 2/5/10M, Consult factory for other lengths. Optional cable C00: fixed installation of PVC, C10: fixed installation of oil-resistant PUR, C13: drag chain installation of PUR.

M12 Right angle Female, Pre-moulding connector, Anti-vibration



Technical data

- Plug body: TPU/Yellow
- Coupling nut: Zinc/Nickel-plated
- Contact carrier: TPU+GF/Black
- Pin: Brass/Gold-plated
- O-ring: FPM/FKM
- Insulation resistance: $\geq 100M\Omega$
- Forward resistance: $\leq 5m\Omega$
- Degree of pollution: 3
- Ambient temperature: $-25\sim +85^{\circ}C$
- Degree of protection: IP67
- Plug: M12x1
- Coding: A-CODE
- Insertion/withdrawal cycles: ≥ 100
- Standards: IEC 61076-2-101
- Torque: 0.4 Nm (M12 Plug connector)
- Cable: Refer to cable specification for detailed data

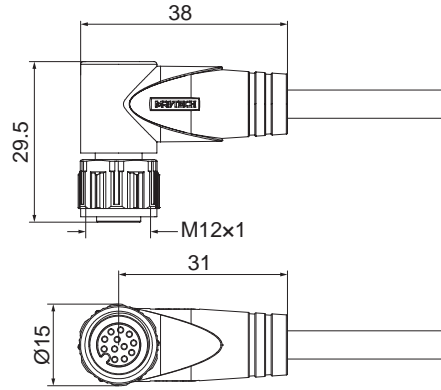
Key Commercial Data

- Weight: 8Pin/11.2g (excluding cable)
- Packing unit: 2M/10PCS/Bag, 5M/5PCS/Bag, 10M/1PCS/Bag
Small package (200x150x100), Medium (330x250x150), Large (400x300x230) mm

Type No.	ID No.	Length	Angle	Coding	Current	Voltage	Wire gauge	Pinout	Wire colors
EWAF6-2/C00	10121033	2M	Right angle	A-CODE	2A	60V	6x0.25 (6x24AWG) Black PVC, OD=5.6 No.: 19800144		1 = BN
EWAF6-5/C00	10121034	5M							2 = WH
EWAF6-10/C00	10121035	10M							3 = BU
EWAF6B-2/C00	10121036	2M	Right angle	A-CODE	4A	30V	4x0.5+2x0.25 (4x20+2x24AWG) Black PVC, OD=7.9 No.: 19800144		4 = BK
EWAF6B-5/C00	10121037	5M							5 = GY
EWAF6B-10/C00	10121038	10M							6 = BK
EWAF8-2/C00	10120059	2M	Right angle	A-CODE	2A	60V	8x0.25 (8x24AWG) Black PVC, OD=6.2 No.: 19800017		1 = WH
EWAF8-5/C00	10120060	5M							2 = BN
EWAF8-10/C00	10120061	10M							3 = GN

* Standard cable lengths are 2/5/10M, Consult factory for other lengths. Optional cable C00: fixed installation of PVC, C10: fixed installation of oil-resistant PUR, C13: drag chain installation of PUR.

M12 Right angle Female, Pre-moulding connector, Anti-vibration



Technical data

- Plug body: TPU/Yellow
- Coupling nut: Zinc/Nickel-plated
- Contact carrier: TPU+GF/Black
- Pin: Brass/Gold-plated
- O-ring: FPM/FKM
- Insulation resistance: $\geq 100M\Omega$
- Forward resistance: $\leq 5m\Omega$
- Degree of pollution: 3
- Ambient temperature: $-25\sim +85^{\circ}C$
- Degree of protection: IP67
- Plug: M12x1
- Coding: A-CODE
- Insertion/withdrawal cycles: ≥ 100
- Standards: IEC 61076-2-101
- Torque: 0.4 Nm (M12 Plug connector)
- Cable: Refer to cable specification for detailed data

Key Commercial Data

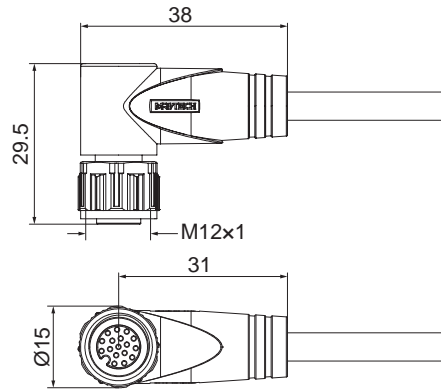
- Packing unit: 2M/10PCS/Bag, 5M/5PCS/Bag, 10M/1PCS/Bag
- Small package (200x150x100), Medium (330x250x150), Large (400x300x230) mm

Type No.	ID No.	Length	Angle	Coding	Current	Voltage	Wire gauge	Pinout	Wire colors
EWAF12-2/C00	10121039	2M	Right angle	A-CODE	2A	60V	12x0.25 (12x24AWG) Black PVC, OD=7.3 No.: 19800019		1 = BN
EWAF12-5/C00	10121040	5M							2 = BU
EWAF12-10/C00	10121041	10M							3 = WH
									4 = GN
									5 = PK
									6 = YE
									7 = BK
									8 = GY
									9 = RD
									10 = VT
									11 = GY/PK
									12 = RD/BU

* Standard cable lengths are 2/5/10M, Consult factory for other lengths. Optional cable C00: fixed installation of PVC, C10: fixed installation of oil-resistant PUR, C13: drag chain installation of PUR.

M12 A-code pre-moulding connector 17pins

M12 Right angle Female, Pre-moulding connector, Anti-vibration



Technical data

- Plug body: TPU/Yellow
- Coupling nut: Zinc/Nickel-plated
- Contact carrier: TPU+GF/Black
- Pin: Brass/Gold-plated
- O-ring: FPM/FKM
- Insulation resistance: $\geq 100M\Omega$
- Forward resistance: $\leq 5m\Omega$
- Degree of pollution: 3
- Ambient temperature: $-25\sim +85^{\circ}C$
- Degree of protection: IP67
- Plug: M12x1
- Coding: A-CODE
- Insertion/withdrawal cycles: ≥ 100
- Standards: IEC 61076-2-101
- Torque: 0.4 Nm (M12 Plug connector)
- Cable: Refer to cable specification for detailed data

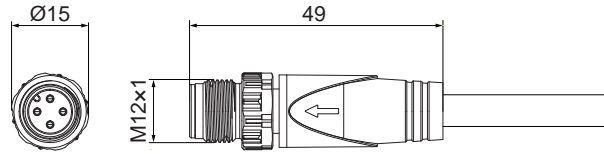
Key Commercial Data

- Packing unit: 2M/10PCS/Bag, 5M/5PCS/Bag, 10M/1PCS/Bag
- Small package (200x150x100), Medium (330x250x150), Large (400x300x230) mm

Type No.	ID No.	Length	Angle	Coding	Current	Voltage	Wire gauge	Pinout	Wire colors
EWAF17-2/C00	10121042	2M	Right angle	A-CODE	1.5A	30V	7Px0.14+3x0.14 7Px26+3x26AWG Black PVC, OD=8.2 No.: 19800168		1 = BN
EWAF17-5/C00	10121043	5M							2 = BU
EWAF17-10/C00	10121044	10M							3 = WH
									4 = GN
									5 = PK
									6 = YE
									7 = BK
									8 = GY
									9 = RD
									10 = VT
									11 = GY/PK
									12 = RD/BU
									13 = WH/GN
									14 = BN/GN
									15 = WH/YE
									16 = YE/BN
									17 = WH/GY

* Standard cable lengths are 2/5/10M, Consult factory for other lengths. Optional cable C00: fixed installation of PVC, C10: fixed installation of oil-resistant PUR, C13: drag chain installation of PUR.

M12 Male, Pre-moulding connector, Anti-vibration



Technical data

- Plug body: TPU/Yellow
- Coupling nut: Zinc/Nickel-plated
- Contact carrier: TPU+GF/Black
- Pin: Brass/Gold-plated
- O-ring: FPM/FKM
- Insulation resistance: $\geq 100M\Omega$
- Forward resistance: $\leq 5m\Omega$
- Degree of pollution: 3
- Ambient temperature: $-25\sim +85^{\circ}C$
- Degree of protection: IP67
- Plug: M12×1
- Coding: A-CODE
- Insertion/withdrawal cycles: ≥ 100
- Standards: IEC 61076-2-101
- Torque: 0.4 Nm (M12 Plug connector)
- Cable: Refer to cable specification for detailed data

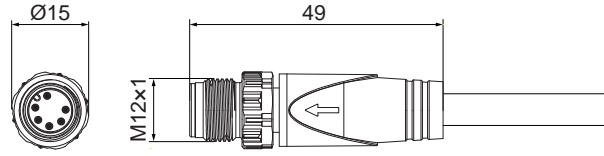
Key Commercial Data

- Weight: 4Pin/11.5g; 5Pin/11.8g (excluding cable)
- Packing unit: 2M/10PCS/Bag, 5M/5PCS/Bag, 10M/1PCS/Bag
- Small package (200×150×100), Medium (330×250×150), Large (400×300×230) mm

Type No.	ID No.	Length	Angle	Coding	Current	Voltage	Wire gauge	Pinout	Wire colors
EAM4.2-2/C00	10120062	2M	Straight	A-CODE	4A	250V	2×0.34 (2×22AWG) Black PVC, OD=5.2 No.: 19800012		1 = N/C 2 = N/C 3 = BN 4 = BU
EAM4.2-5/C00	10120063	5M							
EAM4.2-10/C00	10120064	10M							
EAM3-2/C00	10120010	2M	Straight	A-CODE	4A	250V	3×0.34 (3×22AWG) Black PVC, OD=5.2 No.: 19800013		1 = BN 2 = N/C 3 = BU 4 = BK
EAM3-5/C00	10120068	5M							
EAM3-10/C00	10120069	10M							
EAM4-2/C00	10120013	2M	Straight	A-CODE	4A	250V	4×0.34 (4×22AWG) Black PVC, OD=5.2 No.: 19800014		1 = BN 2 = WH 3 = BU 4 = BK
EAM4-5/C00	10120073	5M							
EAM4-10/C00	10120074	10M							
EAM4.5-2/C00	10120078	2M	Straight	A-CODE	4A	250V	5×0.34 (5×22AWG) Black PVC, OD=5.2 No.: 19800015		1 = BN 2 = WH 3 = BU 4 = BK 5 = GY
EAM4.5-5/C00	10120079	5M							
EAM4.5-10/C00	10120080	10M							
EAM5-2/C00	10120015	2M	Straight	A-CODE	4A	250V	4×0.34+1×0.5 (4×22+1×20AWG) Black PVC, OD=5.2 No.: 19800016		1 = BN 2 = WH 3 = BU 4 = BK 5 = GN/YE
EAM5-5/C00	10120084	5M							
EAM5-10/C00	10120085	10M							

* Standard cable lengths are 2/5/10M, Consult factory for other lengths. Optional cable C00: fixed installation of PVC, C10: fixed installation of oil-resistant PUR, C13: drag chain installation of PUR.

M12 Male, Pre-moulding connector, Anti-vibration



Technical data

- Plug body: TPU/Yellow
- Coupling nut: Zinc/Nickel-plated
- Contact carrier: TPU+GF/Black
- Pin: Brass/Gold-plated
- O-ring: FPM/FKM
- Insulation resistance: $\geq 100M\Omega$
- Forward resistance: $\leq 5m\Omega$
- Degree of pollution: 3
- Ambient temperature: $-25\sim +85^{\circ}C$
- Degree of protection: IP67
- Plug: M12x1
- Coding: A-CODE
- Insertion/withdrawal cycles: ≥ 100
- Standards: IEC 61076-2-101
- Torque: 0.4 Nm (M12 Plug connector)
- Cable: Refer to cable specification for detailed data

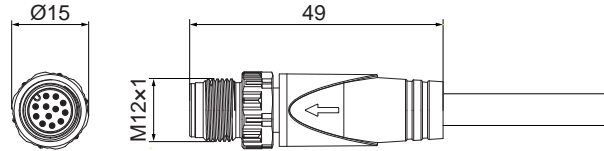
Key Commercial Data

- Weight: 8Pin/12.5g (excluding cable)
- Packing unit: 2M/10PCS/Bag, 5M/5PCS/Bag, 10M/1PCS/Bag
- Small package (200x150x100), Medium (330x250x150), Large (400x300x230) mm

Type No.	ID No.	Length	Angle	Coding	Current	Voltage	Wire gauge	Pinout	Wire colors
EAM6-2/C00	10121045	2M	Straight	A-CODE	2A	60V	6x0.25 (6x24AWG) Black PVC, OD=5.6 No.: 19800144		1 = BN
EAM6-5/C00	10121046	5M							2 = WH
EAM6-10/C00	10121047	10M							3 = BU 4 = BK 5 = GY 6 = PK
EAM6B-2/C00	10121048	2M	Straight	A-CODE	4A	30V	4x0.5+2x0.25 (4x20+2x24AWG) Black PVC, OD=7.9 No.: 19800144		1 = BN
EAM6B-5/C00	10121049	5M							2 = WH
EAM6B-10/C00	10121050	10M							3 = BU 4 = PK 5 = GY 6 = BK
EAM8-2/C00	10120089	2M	Straight	A-CODE	2A	60V	8x0.25 (8x24AWG) Black PVC, OD=6.2 No.: 19800017		1 = WH
EAM8-5/C00	10120090	5M							2 = BN
EAM8-10/C00	10120091	10M							3 = GN 4 = YE 5 = GY 6 = PK 7 = BU 8 = RD

* Standard cable lengths are 2/5/10M, Consult factory for other lengths. Optional cable C00: fixed installation of PVC, C10: fixed installation of oil-resistant PUR, C13: drag chain installation of PUR.

M12 Male, Pre-moulding connector, Anti-vibration



Technical data

- Plug body: TPU/Yellow
- Coupling nut: Zinc/Nickel-plated
- Contact carrier: TPU+GF/Black
- Pin: Brass/Gold-plated
- O-ring: FPM/FKM
- Insulation resistance: $\geq 100M\Omega$
- Forward resistance: $\leq 5m\Omega$
- Degree of pollution: 3
- Ambient temperature: $-25\sim +85^{\circ}C$
- Degree of protection: IP67
- Plug: M12×1
- Coding: A-CODE
- Insertion/withdrawal cycles: ≥ 100
- Standards: IEC 61076-2-101
- Torque: 0.4 Nm (M12 Plug connector)
- Cable: Refer to cable specification for detailed data

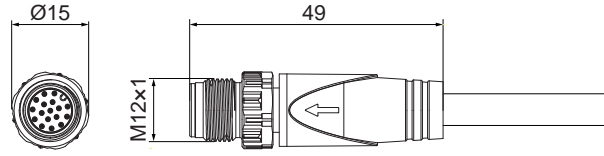
Key Commercial Data

- Packing unit: 2M/10PCS/Bag, 5M/5PCS/Bag, 10M/1PCS/Bag
- Small package (200×150×100), Medium (330×250×150), Large (400×300×230) mm

Type No.	ID No.	Length	Angle	Coding	Current	Voltage	Wire gauge	Pinout	Wire colors
EAM12-2/C00	10121051	2M	Straight	A-CODE	2A	60V	12×0.25 (12×24AWG) Black PVC, OD=7.3 No.: 19800019		1 = BN 2 = BU 3 = WH 4 = GN 5 = PK 6 = YE 7 = BK 8 = GY 9 = RD 10 = VT 11 = GY/PK 12 = RD/BU
EAM12-5/C00	10121052	5M							
EAM12-10/C00	10121053	10M							

* Standard cable lengths are 2/5/10M, Consult factory for other lengths. Optional cable C00: fixed installation of PVC, C10: fixed installation of oil-resistant PUR, C13: drag chain installation of PUR.

M12 Male, Pre-moulding connector, Anti-vibration



Technical data

- Plug body: TPU/Yellow
- Coupling nut: Zinc/Nickel-plated
- Contact carrier: TPU+GF/Black
- Pin: Brass/Gold-plated
- O-ring: FPM/FKM
- Insulation resistance: $\geq 100M\Omega$
- Forward resistance: $\leq 5m\Omega$
- Degree of pollution: 3
- Ambient temperature: $-25\sim +85^{\circ}C$
- Degree of protection: IP67
- Plug: M12x1
- Coding: A-CODE
- Insertion/withdrawal cycles: ≥ 100
- Standards: IEC 61076-2-101
- Torque: 0.4 Nm (M12 Plug connector)
- Cable: Refer to cable specification for detailed data

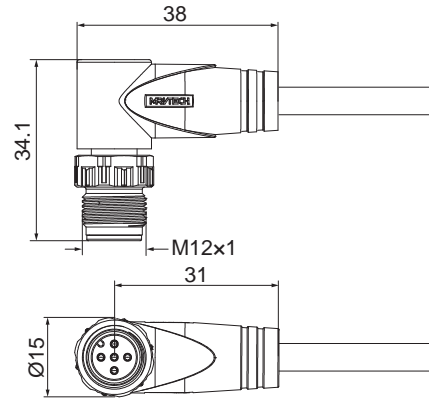
Key Commercial Data

- Packing unit: 2M/10PCS/Bag, 5M/5PCS/Bag, 10M/1PCS/Bag
- Small package (200x150x100), Medium (330x250x150), Large (400x300x230) mm

Type No.	ID No.	Length	Angle	Coding	Current	Voltage	Wire gauge	Pinout	Wire colors
EAM17-2/C00	10121054	2M	Straight	A-CODE	1.5A	30V	7P×0.14+3×0.14 7P×26+3×26AWG Black PVC, OD=8.2 No.: 19800168		1 = BN
EAM17-5/C00	10121055	5M							2 = BU
EAM17-10/C00	10121056	10M							3 = WH
									4 = GN
									5 = PK
									6 = YE
									7 = BK
									8 = GY
									9 = RD
									10 = VT
									11 = GY/PK
									12 = RD/BU
									13 = WH/GN
									14 = BN/GN
									15 = WH/YE
									16 = YE/BN
									17 = WH/GY

* Standard cable lengths are 2/5/10M, Consult factory for other lengths. Optional cable C00: fixed installation of PVC, C10: fixed installation of oil-resistant PUR, C13: drag chain installation of PUR.

M12 Right angle Male, Pre-moulding connector, Anti-vibration



Technical data

- Plug body: TPU/Yellow
- Coupling nut: Zinc/Nickel-plated
- Contact carrier: TPU+GF/Black
- Pin: Brass/Gold-plated
- O-ring: FPM/FKM
- Insulation resistance: $\geq 100M\Omega$
- Forward resistance: $\leq 5m\Omega$
- Degree of pollution: 3
- Ambient temperature: $-25\sim +85^{\circ}C$
- Degree of protection: IP67
- Plug: M12x1
- Coding: A-CODE
- Insertion/withdrawal cycles: ≥ 100
- Standards: IEC 61076-2-101
- Torque: 0.4 Nm (M12 Plug connector)
- Cable: Refer to cable specification for detailed data

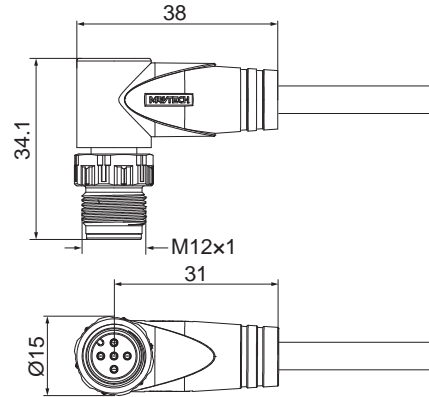
Key Commercial Data

- Weight: 4Pin/11.5g; 5Pin/11.8g (excluding cable)
- Packing unit: 2M/10PCS/Bag, 5M/5PCS/Bag, 10M/1PCS/Bag
- Small package (200x150x100), Medium (330x250x150), Large (400x300x230) mm

Type No.	ID No.	Length	Angle	Coding	Current	Voltage	Wire gauge	Pinout	Wire colors
EWAM4.2-2/C00	10120065	2M	Right angle	A-CODE	4A	250V	2x0.34 (2x22AWG) Black PVC, OD=5.2 No.: 19800012		1 = N/C 2 = N/C 3 = BN 4 = BU
EWAM4.2-5/C00	10120066	5M							
EWAM4.2-10/C00	10120067	10M							
EWAM3-2/C00	10120070	2M	Right angle	A-CODE	4A	250V	3x0.34 (3x22AWG) Black PVC, OD=5.2 No.: 19800013		1 = BN 2 = N/C 3 = BU 4 = BK
EWAM3-5/C00	10120071	5M							
EWAM3-10/C00	10120072	10M							
EWAM4-2/C00	10120075	2M	Right angle	A-CODE	4A	250V	4x0.34 (4x22AWG) Black PVC, OD=5.2 No.: 19800014		1 = BN 2 = WH 3 = BU 4 = BK
EWAM4-5/C00	10120076	5M							
EWAM4-10/C00	10120077	10M							
EWAM4.5-2/C00	10120081	2M	Right angle	A-CODE	4A	250V	5x0.34 (5x22AWG) Black PVC, OD=5.2 No.: 19800015		1 = BN 2 = WH 3 = BU 4 = BK 5 = GY
EWAM4.5-5/C00	10120082	5M							
EWAM4.5-10/C00	10120083	10M							
EWAM5-2/C00	10120086	2M	Right angle	A-CODE	4A	250V	4x0.34+1x0.5 (4x22+1x20AWG) Black PVC, OD=5.2 No.: 19800016		1 = BN 2 = WH 3 = BU 4 = BK 5 = GN/YE
EWAM5-5/C00	10120087	5M							
EWAM5-10/C00	10120088	10M							

* Standard cable lengths are 2/5/10M, Consult factory for other lengths. Optional cable C00: fixed installation of PVC, C10: fixed installation of oil-resistant PUR, C13: drag chain installation of PUR.

M12 Right angle Male, Pre-moulding connector, Anti-vibration



Technical data

- Plug body: TPU/Yellow
- Coupling nut: Zinc/Nickel-plated
- Contact carrier: TPU+GF/Black
- Pin: Brass/Gold-plated
- O-ring: FPM/FKM
- Insulation resistance: $\geq 100M\Omega$
- Forward resistance: $\leq 5m\Omega$
- Degree of pollution: 3
- Ambient temperature: $-25\sim +85^{\circ}C$
- Degree of protection: IP67
- Plug: M12x1
- Coding: A-CODE
- Insertion/withdrawal cycles: ≥ 100
- Standards: IEC 61076-2-101
- Torque: 0.4 Nm (M12 Plug connector)
- Cable: Refer to cable specification for detailed data

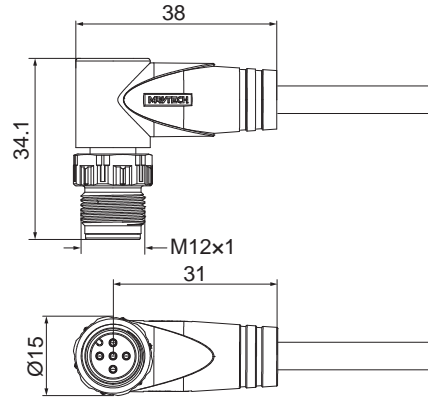
Key Commercial Data

- Weight: 8Pin/12.5g (excluding cable)
- Packing unit: 2M/10PCS/Bag, 5M/5PCS/Bag, 10M/1PCS/Bag
Small package (200x150x100), Medium (330x250x150), Large (400x300x230) mm

Type No.	ID No.	Length	Angle	Coding	Current	Voltage	Wire gauge	Pinout	Wire colors
EWAM6-2/C00	10121057	2M	Right angle	A-CODE	2A	60V	6x0.25 (6x24AWG) Black PVC, OD=5.6 No.: 19800144		1 = BN 2 = WH 3 = BU 4 = BK 5 = GY 6 = PK
EWAM6-5/C00	10121058	5M							
EWAM6-10/C00	10121059	10M							
EWAM6B-2/C00	10121060	2M	Right angle	A-CODE	4A	30V	4x0.5+2x0.25 (4x20+2x24AWG) Black PVC, OD=7.9 No.: 19800144		1 = BN 2 = WH 3 = BU 4 = PK 5 = GY 6 = BK
EWAM6B-5/C00	10121061	5M							
EWAM6B-10/C00	10121062	10M							
EWAM8-2/C00	10120092	2M	Right angle	A-CODE	2A	60V	8x0.25 (8x24AWG) Black PVC, OD=6.2 No.: 19800017		1 = WH 2 = BN 3 = GN 4 = YE 5 = GY 6 = PK 7 = BU 8 = RD
EWAM8-5/C00	10120093	5M							
EWAM8-10/C00	10120094	10M							

* Standard cable lengths are 2/5/10M, Consult factory for other lengths. Optional cable C00: fixed installation of PVC, C10: fixed installation of oil-resistant PUR, C13: drag chain installation of PUR.

M12 Right angle Male, Pre-moulding connector, Anti-vibration



Technical data

- Plug body: TPU/Yellow
- Coupling nut: Zinc/Nickel-plated
- Contact carrier: TPU+GF/Black
- Pin: Brass/Gold-plated
- O-ring: FPM/FKM
- Insulation resistance: $\geq 100M\Omega$
- Forward resistance: $\leq 5m\Omega$
- Degree of pollution: 3
- Ambient temperature: $-25\sim +85^{\circ}C$
- Degree of protection: IP67
- Plug: M12x1
- Coding: A-CODE
- Insertion/withdrawal cycles: ≥ 100
- Standards: IEC 61076-2-101
- Torque: 0.4 Nm (M12 Plug connector)
- Cable: Refer to cable specification for detailed data

Key Commercial Data

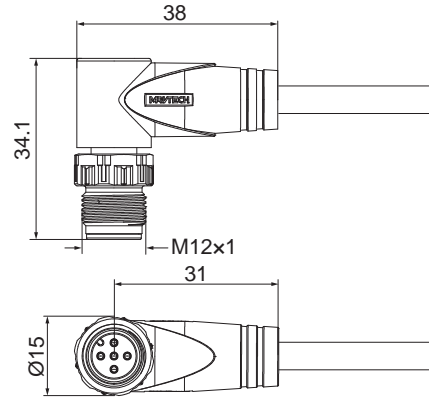
- Packing unit: 2M/10PCS/Bag, 5M/5PCS/Bag, 10M/1PCS/Bag
- Small package (200x150x100), Medium (330x250x150), Large (400x300x230) mm

Type No.	ID No.	Length	Angle	Coding	Current	Voltage	Wire gauge	Pinout	Wire colors
EWAM12-2/C00	10121063	2M	Right angle	A-CODE	2A	60V	12x0.25 (12x24AWG) Black PVC, OD=7.3 No.: 19800019		1 = BN
EWAM12-5/C00	10121064	5M							2 = BU
EWAM12-10/C00	10121065	10M							3 = WH
									4 = GN
									5 = PK
									6 = YE
									7 = BK
									8 = GY
									9 = RD
									10 = VT
									11 = GY/PK
									12 = RD/BU

* Standard cable lengths are 2/5/10M, Consult factory for other lengths. Optional cable C00: fixed installation of PVC, C10: fixed installation of oil-resistant PUR, C13: drag chain installation of PUR.

M12 A-code pre-moulding connector 17pins

M12 Right angle Male, Pre-moulding connector, Anti-vibration



Technical data

- Plug body: TPU/Yellow
- Coupling nut: Zinc/Nickel-plated
- Contact carrier: TPU+GF/Black
- Pin: Brass/Gold-plated
- O-ring: FPM/FKM
- Insulation resistance: $\geq 100M\Omega$
- Forward resistance: $\leq 5m\Omega$
- Degree of pollution: 3
- Ambient temperature: $-25\sim +85^{\circ}C$
- Degree of protection: IP67
- Plug: M12x1
- Coding: A-CODE
- Insertion/withdrawal cycles: ≥ 100
- Standards: IEC 61076-2-101
- Torque: 0.4 Nm (M12 Plug connector)
- Cable: Refer to cable specification for detailed data

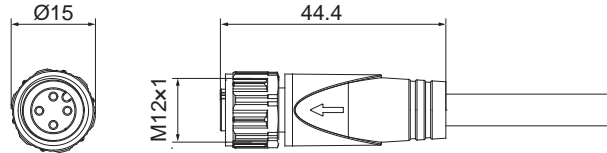
Key Commercial Data

- Packing unit: 2M/10PCS/Bag, 5M/5PCS/Bag, 10M/1PCS/Bag
- Small package (200×150×100), Medium (330×250×150), Large (400×300×230) mm

Type No.	ID No.	Length	Angle	Coding	Current	Voltage	Wire gauge	Pinout	Wire colors
EWAM17-2/C00	10121066	2M	Right angle	A-CODE	1.5A	30V	7P×0.14+3×0.14 7P×26+3×26AWG Black PVC, OD=8.2 No.: 19800168		1 = BN
EWAM17-5/C00	10121067	5M							2 = BU
EWAM17-10/C00	10121068	10M							3 = WH
									4 = GN
									5 = PK
									6 = YE
									7 = BK
									8 = GY
									9 = RD
									10 = VT
									11 = GY/PK
									12 = RD/BU
									13 = WH/GN
									14 = BN/GN
									15 = WH/YE
									16 = YE/BN
									17 = WH/GY

* Standard cable lengths are 2/5/10M, Consult factory for other lengths. Optional cable C00: fixed installation of PVC, C10: fixed installation of oil-resistant PUR, C13: drag chain installation of PUR.

M12 Female, Pre-moulding connector, Anti-vibration, shielded



Technical data

- Plug body: TPU/Yellow
- Coupling nut: Zinc/Nickel-plated
- Contact carrier: TPU+GF/Black
- Pin: Brass/Gold-plated
- O-ring: FPM/FKM
- Insulation resistance: $\geq 100M\Omega$
- Forward resistance: $\leq 5m\Omega$
- Degree of pollution: 3
- Ambient temperature: $-25\sim +85^{\circ}C$
- Degree of protection: IP67
- Plug: M12×1
- Coding: A-CODE
- Insertion/withdrawal cycles: ≥ 100
- Standards: IEC 61076-2-101
- Torque: 0.4 Nm (M12 Plug connector)
- Cable: Refer to cable specification for detailed data

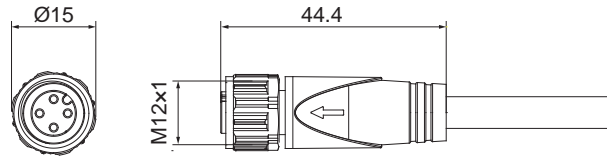
Key Commercial Data

- Weight: 4Pin/14g, 5Pin/14.3g (excluding cable)
- Packing unit: 2M/10PCS/Bag, 5M/5PCS/Bag, 10M/1PCS/Bag
- Small package (200×150×100), Medium (330×250×150), Large (400×300×230) mm

Type No.	ID No.	Length	Angle	Coding	Current	Voltage	Wire gauge	Pinout	Wire colors
EAF4.2-2/S00	10120120	2M	Straight	A-CODE	4A	250V	2×0.34 (2×22AWG) Black shielded PVC,OD=5.2 No.: 19800052		1 = N/C
EAF4.2-5/S00	10120121	5M							2 = N/C
EAF4.2-10/S00	10120122	10M							3 = BN
EAF3-2/S00	10120123	2M	Straight	A-CODE	4A	250V	3×0.34 (3×22AWG) Black shielded PVC,OD=5.2 No.: 19800053		4 = BU
EAF3-5/S00	10120124	5M							1 = BN
EAF3-10/S00	10120125	10M							2 = N/C
EAF4-2/S00	10120126	2M	Straight	A-CODE	4A	250V	4×0.34 (4×22AWG) Black shielded PVC,OD=5.2 No.: 19800054		3 = BU
EAF4-5/S00	10120127	5M							1 = BN
EAF4-10/S00	10120128	10M							2 = WH
EAF4.5-2/S00	10120129	2M	Straight	A-CODE	4A	250V	5×0.34 (5×22AWG) Black shielded PVC,OD=5.2 No.: 19800055		4 = BK
EAF4.5-5/S00	10120130	5M							1 = BN
EAF4.5-10/S00	10120131	10M							2 = WH
EAF5-2/S00	10120132	2M	Straight	A-CODE	4A	250V	4×0.34+1×0.5 (4×22+1×20AWG) Black shielded PVC,OD=5.2 No.: 19800056		3 = BU
EAF5-5/S00	10120133	5M							4 = BK
EAF5-10/S00	10120134	10M							5 = GN/YE

* Standard cable lengths are 2/5/10M, Consult factory for other lengths. Optional cable S00: fixed installation shielded of PVC, S13: drag chain installation shielded of PUR.

M12 Female, Pre-moulding connector, Anti-vibration, shielded



Technical data

- Plug body: TPU/Yellow
- Coupling nut: Zinc/Nickel-plated
- Contact carrier: TPU+GF/Black
- Pin: Brass/Gold-plated
- O-ring: FPM/FKM
- Insulation resistance: $\geq 100M\Omega$
- Forward resistance: $\leq 5m\Omega$
- Degree of pollution: 3
- Ambient temperature: $-25\sim +85^{\circ}C$
- Degree of protection: IP67
- Plug: M12x1
- Coding: A-CODE
- Insertion/withdrawal cycles: ≥ 100
- Standards: IEC 61076-2-101
- Torque: 0.4 Nm (M12 Plug connector)
- Cable: Refer to cable specification for detailed data

Key Commercial Data

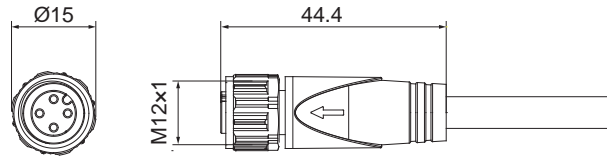
- Weight: 8Pin/15.2g (excluding cable)
- Packing unit: 2M/10PCS/Bag, 5M/5PCS/Bag, 10M/1PCS/Bag
Small package (200x150x100), Medium (330x250x150), Large (400x300x230) mm

Type No.	ID No.	Length	Angle	Coding	Current	Voltage	Wire gauge	Pinout	Wire colors
EAF6-2/S00	10121075	2M	Straight	A-CODE	2A	60V	6x0.25 (6x24AWG) Black shielded PVC,OD=5.6 No.: 19800058		1 = BN
EAF6-5/S00	10121076	5M							2 = WH
EAF6-10/S00	10121077	10M							3 = BU
EAF6B-2/S00	10121078	2M	Straight	A-CODE	4A	30V	4x0.5+2x0.25 (4x20+2x24AWG) Black shielded PVC,OD=7.9 No.: 19800145		4 = BK
EAF6B-5/S00	10121079	5M							5 = GY
EAF6B-10/S00	10121080	10M							6 = BK
EAF8-2/S00	10120135	2M	Straight	A-CODE	2A	60V	8x0.25 (8x24AWG) Black shielded PVC,OD=6.2 No.: 19800057		1 = WH
EAF8-5/S00	10120136	5M							2 = BN
EAF8-10/S00	10120137	10M							3 = GN
									4 = YE
									5 = GY
									6 = PK
									7 = BU
									8 = RD

* Standard cable lengths are 2/5/10M, Consult factory for other lengths. Optional cable S00: fixed installation shielded of PVC, S13: drag chain installation shielded of PUR.

M12 7/8" M16 M23 CC-LINK DeviceNet Profibus-DP E-Net & P-Net 分支器&分线盒 阀式连接器

M12 Female, Pre-moulding connector, Anti-vibration, shielded



Technical data

- Plug body: TPU/Yellow
- Coupling nut: Zinc/Nickel-plated
- Contact carrier: TPU+GF/Black
- Pin: Brass/Gold-plated
- O-ring: FPM/FKM
- Insulation resistance: $\geq 100M\Omega$
- Forward resistance: $\leq 5m\Omega$
- Degree of pollution: 3
- Ambient temperature: $-25\sim +85^{\circ}C$
- Degree of protection: IP67
- Plug: M12x1
- Coding: A-CODE
- Insertion/withdrawal cycles: ≥ 100
- Standards: IEC 61076-2-101
- Torque: 0.4 Nm (M12 Plug connector)
- Cable: Refer to cable specification for detailed data

Key Commercial Data

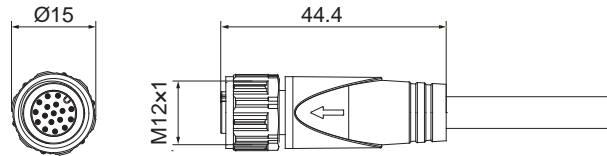
- Packing unit: 2M/10PCS/Bag, 5M/5PCS/Bag, 10M/1PCS/Bag
- Small package (200x150x100), Medium (330x250x150), Large (400x300x230) mm

Type No.	ID No.	Length	Angle	Coding	Current	Voltage	Wire gauge	Pinout	Wire colors
EAF12-2/S00	10121069	2M	Straight	A-CODE	2A	60V	12x0.25 (12x24AWG) Black shielded PVC,OD=7.3 No.: 19800147		1 = BN 2 = BU 3 = WH 4 = GN 5 = PK 6 = YE 7 = BK 8 = GY 9 = RD 10 = VT 11 = GY/PK 12 = RD/BU
EAF12-5/S00	10121070	5M							
EAF12-10/S00	10121071	10M							

* Standard cable lengths are 2/5/10M, Consult factory for other lengths. Optional cable S00: fixed installation shielded of PVC, S13: drag chain installation shielded of PUR.

M12 A-code shielded pre-moulding connector 17pins

M12 Female, Pre-moulding connector, Anti-vibration, shielded



Technical data

- Plug body: TPU/Yellow
- Coupling nut: Zinc/Nickel-plated
- Contact carrier: TPU+GF/Black
- Pin: Brass/Gold-plated
- O-ring: FPM/FKM
- Insulation resistance: $\geq 100M\Omega$
- Forward resistance: $\leq 5m\Omega$
- Degree of pollution: 3
- Ambient temperature: $-25\sim +85^{\circ}C$
- Degree of protection: IP67
- Plug: M12×1
- Coding: A-CODE
- Insertion/withdrawal cycles: ≥ 100
- Standards: IEC 61076-2-101
- Torque: 0.4 Nm (M12 Plug connector)
- Cable: Refer to cable specification for detailed data

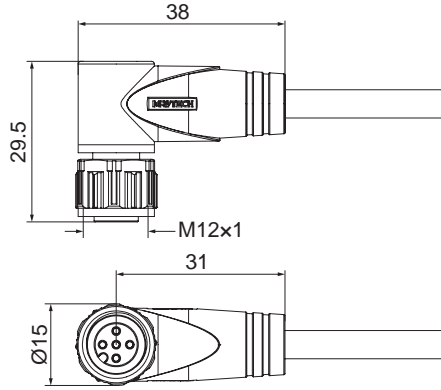
Key Commercial Data

- Packing unit: 2M/10PCS/Bag, 5M/5PCS/Bag, 10M/1PCS/Bag
- Small package (200×150×100), Medium (330×250×150), Large (400×300×230) mm

Type No.	ID No.	Length	Angle	Coding	Current	Voltage	Wire gauge	Pinout	Wire colors
EAF17-2/S00	10121072	2M	Straight	A-CODE	1.5A	30V	7P×0.14+3×0.14 7P×26+3×26AWG Black shielded PVC,OD=8.2 No.: 19800088		1 = BN
EAF17-5/S00	10121073	5M							2 = BU
EAF17-10/S00	10121074	10M							3 = WH
									4 = GN
									5 = PK
									6 = YE
									7 = BK
									8 = GY
									9 = RD
									10 = VT
									11 = GY/PK
									12 = RD/BU
									13 = WH/GN
									14 = BN/GN
									15 = WH/YE
									16 = YE/BN
									17 = WH/GY

* Standard cable lengths are 2/5/10M, Consult factory for other lengths. Optional cable S00: fixed installation shielded of PVC, S13: drag chain installation shielded of PUR.

M12 Right angle Female, Pre-moulding connector, Anti-vibration, shielded



Technical data

- Plug body: TPU/Yellow
- Coupling nut: Zinc/Nickel-plated
- Contact carrier: TPU+GF/Black
- Pin: Brass/Gold-plated
- O-ring: FPM/FKM
- Insulation resistance: $\geq 100M\Omega$
- Forward resistance: $\leq 5m\Omega$
- Degree of pollution: 3
- Ambient temperature: $-25\sim +85^{\circ}C$
- Degree of protection: IP67
- Plug: M12x1
- Coding: A-CODE
- Insertion/withdrawal cycles: ≥ 100
- Standards: IEC 61076-2-101
- Torque: 0.4 Nm (M12 Plug connector)
- Cable: Refer to cable specification for detailed data

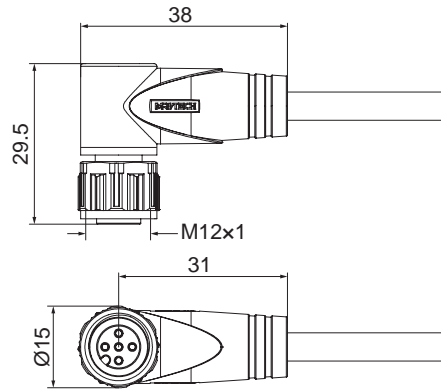
Key Commercial Data

- Weight: 4Pin/15g, 5Pin/15.3g (excluding cable)
- Packing unit: 2M/10PCS/Bag, 5M/5PCS/Bag, 10M/1PCS/Bag
- Small package (200x150x100), Medium (330x250x150), Large (400x300x230) mm

Type No.	ID No.	Length	Angle	Coding	Current	Voltage	Wire gauge	Pinout	Wire colors
EWAF4.2-2/S00	10120138	2M	Right angle	A-CODE	4A	250V	2x0.34 (2x22AWG) Black shielded PVC,OD=5.2 No.: 19800052		1 = N/C
EWAF4.2-5/S00	10120139	5M							2 = N/C
EWAF4.2-10/S00	10120140	10M							3 = BN
EWAF3-2/S00	10120141	2M	Right angle	A-CODE	4A	250V	3x0.34 (3x22AWG) Black shielded PVC,OD=5.2 No.: 19800053		4 = BU
EWAF3-5/S00	10120142	5M							1 = BN
EWAF3-10/S00	10120143	10M							2 = N/C
EWAF4-2/S00	10120144	2M	Right angle	A-CODE	4A	250V	4x0.34 (4x22AWG) Black shielded PVC,OD=5.2 No.: 19800054		3 = BU
EWAF4-5/S00	10120145	5M							4 = BK
EWAF4-10/S00	10120146	10M							1 = BN
EWAF4.5-2/S00	10120147	2M	Right angle	A-CODE	4A	250V	5x0.34 (5x22AWG) Black shielded PVC,OD=5.2 No.: 19800055		2 = WH
EWAF4.5-5/S00	10120148	5M							3 = BU
EWAF4.5-10/S00	10120149	10M							4 = BK
EWAF5-2/S00	10120150	2M	Right angle	A-CODE	4A	250V	4x0.34+1x0.5 (4x22+1x20AWG) Black shielded PVC,OD=5.2 No.: 19800056		5 = GY
EWAF5-5/S00	10120151	5M							1 = BN
EWAF5-10/S00	10120152	10M							2 = WH

* Standard cable lengths are 2/5/10M, Consult factory for other lengths. Optional cable S00: fixed installation shielded of PVC, S13: drag chain installation shielded of PUR.

M12 Right angle Female, Pre-moulding connector, Anti-vibration, shielded



Technical data

- Plug body: TPU/Yellow
- Coupling nut: Zinc/Nickel-plated
- Contact carrier: TPU+GF/Black
- Pin: Brass/Gold-plated
- O-ring: FPM/FKM
- Insulation resistance: $\geq 100M\Omega$
- Forward resistance: $\leq 5m\Omega$
- Degree of pollution: 3
- Ambient temperature: $-25\sim +85^{\circ}C$
- Degree of protection: IP67
- Plug: M12x1
- Coding: A-CODE
- Insertion/withdrawal cycles: ≥ 100
- Standards: IEC 61076-2-101
- Torque: 0.4 Nm (M12 Plug connector)
- Cable: Refer to cable specification for detailed data

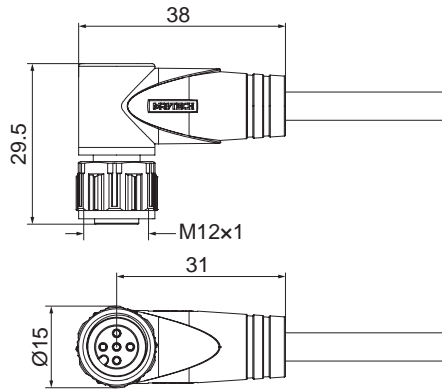
Key Commercial Data

- Weight: 8Pin/16.2g (excluding cable)
- Packing unit: 2M/10PCS/Bag, 5M/5PCS/Bag, 10M/1PCS/Bag
Small package (200x150x100), Medium (330x250x150), Large (400x300x230) mm

Type No.	ID No.	Length	Angle	Coding	Current	Voltage	Wire gauge	Pinout	Wire colors
EWAF6-2/S00	10121087	2M	Right angle	A-CODE	2A	60V	6x0.25 (6x24AWG) Black shielded PVC,OD=5.6 No.: 19800058		1 = BN
EWAF6-5/S00	10121088	5M							2 = WH
EWAF6-10/S00	10121089	10M							3 = BU
EWAF6B-2/S00	10121090	2M	Right angle	A-CODE	4A	30V	4x0.5+2x0.25 (4x20+2x24AWG) Black shielded PVC,OD=7.9 No.: 19800145		4 = BK
EWAF6B-5/S00	10121091	5M							5 = GY
EWAF6B-10/S00	10121092	10M							6 = BK
EWAF8-2/S00	10120153	2M	Right angle	A-CODE	2A	60V	8x0.25 (8x24AWG) Black shielded PVC,OD=6.2 No.: 19800057		1 = WH
EWAF8-5/S00	10120154	5M							2 = BN
EWAF8-10/S00	10120155	10M							3 = GN

* Standard cable lengths are 2/5/10M, Consult factory for other lengths. Optional cable S00: fixed installation shielded of PVC, S13: drag chain installation shielded of PUR.

M12 Right angle Female, Pre-moulding connector, Anti-vibration, shielded



Technical data

- Plug body: TPU/Yellow
- Coupling nut: Zinc/Nickel-plated
- Contact carrier: TPU+GF/Black
- Pin: Brass/Gold-plated
- O-ring: FPM/FKM
- Insulation resistance: $\geq 100M\Omega$
- Forward resistance: $\leq 5m\Omega$
- Degree of pollution: 3
- Ambient temperature: $-25\sim +85^{\circ}C$
- Degree of protection: IP67
- Plug: M12x1
- Coding: A-CODE
- Insertion/withdrawal cycles: ≥ 100
- Standards: IEC 61076-2-101
- Torque: 0.4 Nm (M12 Plug connector)
- Cable: Refer to cable specification for detailed data

Key Commercial Data

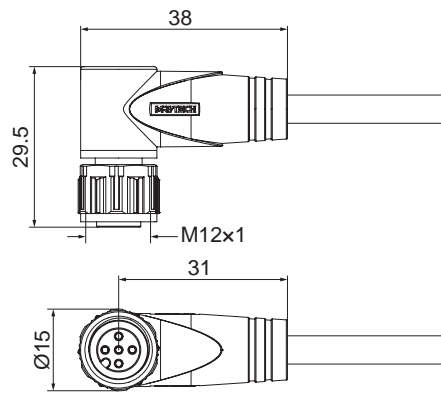
- Packing unit: 2M/10PCS/Bag, 5M/5PCS/Bag, 10M/1PCS/Bag
- Small package (200x150x100), Medium (330x250x150), Large (400x300x230) mm

Type No.	ID No.	Length	Angle	Coding	Current	Voltage	Wire gauge	Pinout	Wire colors
EWAF12-2/S00	10121081	2M	Right angle	A-CODE	2A	60V	12x0.25 (12x24AWG) Black shielded PVC,OD=7.3 No.: 19800146		1 = BN 2 = BU 3 = WH 4 = GN 5 = PK 6 = YE 7 = BK 8 = GY 9 = RD 10 = VT 11 = GY/PK 12 = RD/BU
EWAF12-5/S00	10121082	5M							
EWAF12-10/S00	10121083	10M							

* Standard cable lengths are 2/5/10M, Consult factory for other lengths. Optional cable S00: fixed installation shielded of PVC, S13: drag chain installation shielded of PUR.

M12 A-code shielded pre-moulding connector 17pins

M12 Right angle Female, Pre-moulding connector, Anti-vibration, shielded



Technical data

- Plug body: TPU/Yellow
- Coupling nut: Zinc/Nickel-plated
- Contact carrier: TPU+GF/Black
- Pin: Brass/Gold-plated
- O-ring: FPM/FKM
- Insulation resistance: $\geq 100M\Omega$
- Forward resistance: $\leq 5m\Omega$
- Degree of pollution: 3
- Ambient temperature: $-25\sim +85^{\circ}C$
- Degree of protection: IP67
- Plug: M12x1
- Coding: A-CODE
- Insertion/withdrawal cycles: ≥ 100
- Standards: IEC 61076-2-101
- Torque: 0.4 Nm (M12 Plug connector)
- Cable: Refer to cable specification for detailed data

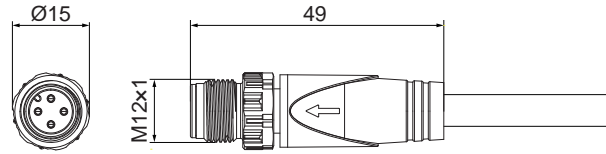
Key Commercial Data

- Packing unit: 2M/10PCS/Bag, 5M/5PCS/Bag, 10M/1PCS/Bag
- Small package (200x150x100), Medium (330x250x150), Large (400x300x230) mm

Type No.	ID No.	Length	Angle	Coding	Current	Voltage	Wire gauge	Pinout	Wire colors
EWAF17-2/S00	10121084	2M	Right angle	A-CODE	1.5A	30V	7P×0.14+3×0.14 7P×26+3×26AWG Black shielded PVC,OD=8.2 No.: 19800088		1 = BN
EWAF17-5/S00	10121085	5M							2 = BU
EWAF17-10/S00	10121086	10M							3 = WH
									4 = GN
									5 = PK
									6 = YE
									7 = BK
									8 = GY
									9 = RD
									10 = VT
									11 = GY/PK
									12 = RD/BU
									13 = WH/GN
									14 = BN/GN
									15 = WH/YE
									16 = YE/BN
									17 = WH/GY

* Standard cable lengths are 2/5/10M, Consult factory for other lengths. Optional cable S00: fixed installation shielded of PVC, S13: drag chain installation shielded of PUR.

M12 Male, Pre-moulding connector, Anti-vibration, shielded



Technical data

- Plug body: TPU/Yellow
- Coupling nut: Zinc/Nickel-plated
- Contact carrier: TPU+GF/Black
- Pin: Brass/Gold-plated
- O-ring: FPM/FKM
- Insulation resistance: $\geq 100M\Omega$
- Forward resistance: $\leq 5m\Omega$
- Degree of pollution: 3
- Ambient temperature: $-25\sim +85^{\circ}C$
- Degree of protection: IP67
- Plug: M12×1
- Coding: A-CODE
- Insertion/withdrawal cycles: ≥ 100
- Standards: IEC 61076-2-101
- Torque: 0.4 Nm (M12 Plug connector)
- Cable: Refer to cable specification for detailed data

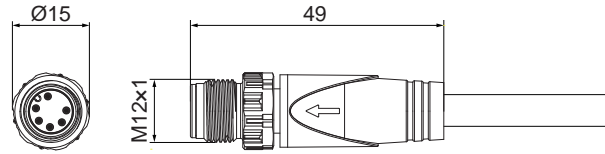
Key Commercial Data

- Weight: 4Pin/15.5g; 5Pin/15.8g (excluding cable)
- Packing unit: 2M/10PCS/Bag, 5M/5PCS/Bag, 10M/1PCS/Bag
- Small package (200×150×100), Medium (330×250×150), Large (400×300×230) mm

Type No.	ID No.	Length	Angle	Coding	Current	Voltage	Wire gauge	Pinout	Wire colors
EAM4.2-2/S00	10120156	2M	Straight	A-CODE	4A	250V	2×0.34 (2×22AWG) Black shielded PVC,OD=5.2 No.: 19800052		1 = N/C 2 = N/C 3 = BN 4 = BU
EAM4.2-5/S00	10120157	5M							
EAM4.2-10/S00	10120158	10M							
EAM3-2/S00	10120159	2M	Straight	A-CODE	4A	250V	3×0.34 (3×22AWG) Black shielded PVC,OD=5.2 No.: 19800053		1 = BN 2 = N/C 3 = BU 4 = BK
EAM3-5/S00	10120160	5M							
EAM3-10/S00	10120161	10M							
EAM4-2/S00	10120162	2M	Straight	A-CODE	4A	250V	4×0.34 (4×22AWG) Black shielded PVC,OD=5.2 No.: 19800054		1 = BN 2 = WH 3 = BU 4 = BK
EAM4-5/S00	10120163	5M							
EAM4-10/S00	10120164	10M							
EAM4.5-2/S00	10120165	2M	Straight	A-CODE	4A	250V	5×0.34 (5×22AWG) Black shielded PVC,OD=5.2 No.: 19800055		1 = BN 2 = WH 3 = BU 4 = BK 5 = GY
EAM4.5-5/S00	10120166	5M							
EAM4.5-10/S00	10120167	10M							
EAM5-2/S00	10120168	2M	Straight	A-CODE	4A	250V	4×0.34+1×0.5 (4×22+1×20AWG) Black shielded PVC,OD=5.2 No.: 19800056		1 = BN 2 = WH 3 = BU 4 = BK 5 = GN/YE
EAM5-5/S00	10120169	5M							
EAM5-10/S00	10120170	10M							

* Standard cable lengths are 2/5/10M, Consult factory for other lengths. Optional cable S00: fixed installation shielded of PVC, S13: drag chain installation shielded of PUR.

M12 Male, Pre-moulding connector, Anti-vibration, shielded



Technical data

- Plug body: TPU/Yellow
- Coupling nut: Zinc/Nickel-plated
- Contact carrier: TPU+GF/Black
- Pin: Brass/Gold-plated
- O-ring: FPM/FKM
- Insulation resistance: $\geq 100M\Omega$
- Forward resistance: $\leq 5m\Omega$
- Degree of pollution: 3
- Ambient temperature: $-25\sim +85^{\circ}C$
- Degree of protection: IP67
- Plug: M12×1
- Coding: A-CODE
- Insertion/withdrawal cycles: ≥ 100
- Standards: IEC 61076-2-101
- Torque: 0.4 Nm (M12 Plug connector)
- Cable: Refer to cable specification for detailed data

Key Commercial Data

- Weight: 8Pin/16.5g (excluding cable)
- Packing unit: 2M/10PCS/Bag, 5M/5PCS/Bag, 10M/1PCS/Bag
Small package (200×150×100), Medium (330×250×150), Large (400×300×230) mm

Type No.	ID No.	Length	Angle	Coding	Current	Voltage	Wire gauge	Pinout	Wire colors
EAM6-2/S00	10121099	2M	Straight	A-CODE	2A	60V	6×0.25 (6×24AWG) Black shielded PVC,OD=5.6 No.: 19800058		1 = BN
EAM6-5/S00	10121100	5M							2 = WH
EAM6-10/S00	10121101	10M							3 = BU
EAM6B-2/S00	10121102	2M	Straight	A-CODE	4A	30V	4×0.5+2×0.25 (4×20+2×24AWG) Black shielded PVC,OD=7.9 No.: 19800145		4 = BK
EAM6B-5/S00	10121103	5M							5 = GY
EAM6B-10/S00	10121104	10M							6 = PK
EAM8-2/S00	10120171	2M	Straight	A-CODE	2A	60V	8×0.25 (8×24AWG) Black shielded PVC,OD=6.2 No.: 19800057		1 = WH
EAM8-5/S00	10120172	5M							2 = BN
EAM8-10/S00	10120173	10M							3 = GN
									4 = YE
									5 = GY
									6 = PK
									7 = BU
									8 = RD

* Standard cable lengths are 2/5/10M, Consult factory for other lengths. Optional cable S00: fixed installation shielded of PVC, S13: drag chain installation shielded of PUR.

M8

M12

7/8"

M16

M23

CC-LINK

DeviceNet

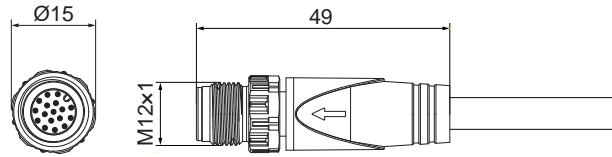
Profibus-DP

E-Net & P-Net

分支器 & 分线盒

阀式连接器

M12 Male, Pre-moulding connector, Anti-vibration, shielded



Technical data

- Plug body: TPU/Yellow
- Coupling nut: Zinc/Nickel-plated
- Contact carrier: TPU+GF/Black
- Pin: Brass/Gold-plated
- O-ring: FPM/FKM
- Insulation resistance: $\geq 100M\Omega$
- Forward resistance: $\leq 5m\Omega$
- Degree of pollution: 3
- Ambient temperature: $-25\sim +85^{\circ}C$
- Degree of protection: IP67
- Plug: M12×1
- Coding: A-CODE
- Insertion/withdrawal cycles: ≥ 100
- Standards: IEC 61076-2-101
- Torque: 0.4 Nm (M12 Plug connector)
- Cable: Refer to cable specification for detailed data

Key Commercial Data

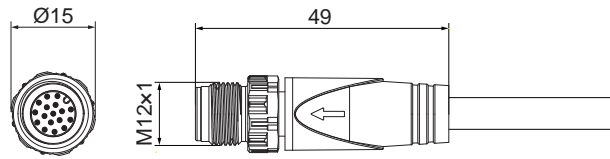
- Weight: 12Pin/18g (excluding cable)
- Packing unit: 2M/10PCS/Bag, 5M/5PCS/Bag, 10M/1PCS/Bag
Small package (200×150×100), Medium (330×250×150), Large (400×300×230) mm

Type No.	ID No.	Length	Angle	Coding	Current	Voltage	Wire gauge	Pinout	Wire colors
EAM12-2/S00	10121093	2M	Straight	A-CODE	2A	60V	12×0.25 (12×24AWG) Black shielded PVC,OD=7.3 No.: 19800146		1 = BN
EAM12-5/S00	10121094	5M							2 = BU
EAM12-10/S00	10121095	10M							3 = WH
									4 = GN
									5 = PK
									6 = YE
									7 = BK
									8 = GY
									9 = RD
									10 = VT
									11 = GY/PK
									12 = RD/BU

* Standard cable lengths are 2/5/10M, Consult factory for other lengths. Optional cable S00: fixed installation shielded of PVC, S13: drag chain installation shielded of PUR.

M12 A--code shielded pre-moulding connector 17pins

M12 Male, Pre-moulding connector, Anti-vibration, shielded



Technical data

- Plug body: TPU/Yellow
- Coupling nut: Zinc/Nickel-plated
- Contact carrier: TPU+GF/Black
- Pin: Brass/Gold-plated
- O-ring: FPM/FKM
- Insulation resistance: $\geq 100M\Omega$
- Forward resistance: $\leq 5m\Omega$
- Degree of pollution: 3
- Ambient temperature: $-25\sim +85^{\circ}C$
- Degree of protection: IP67
- Plug: M12×1
- Coding: A-CODE
- Insertion/withdrawal cycles: ≥ 100
- Standards: IEC 61076-2-101
- Torque: 0.4 Nm (M12 Plug connector)
- Cable: Refer to cable specification for detailed data

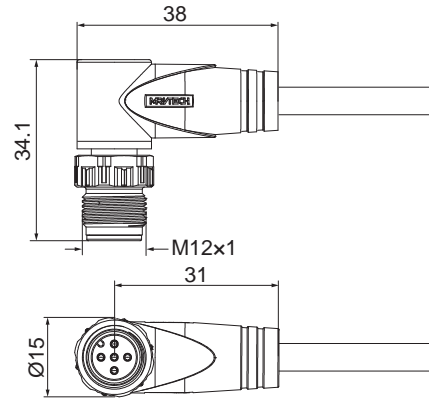
Key Commercial Data

- Packing unit: 2M/10PCS/Bag, 5M/5PCS/Bag, 10M/1PCS/Bag
- Small package (200×150×100) , Medium (330×250×150) , Large (400×300×230) mm

Type No.	ID No.	Length	Angle	Coding	Current	Voltage	Wire gauge	Pinout	Wire colors
EAM17-2/S00	10121096	2M	Straight	A-CODE	1.5A	30V	7P×0.14+3×0.14 7P×26+3×26AWG Black shielded PVC,OD=8.2 No.: 19800088		1 = BN
EAM17-5/S00	10121097	5M							2 = BU
EAM17-10/S00	10121098	10M							3 = WH
									4 = GN
									5 = PK
									6 = YE
									7 = BK
									8 = GY
									9 = RD
									10 = VT
									11 = GY/PK
									12 = RD/BU
									13 = WH/GN
									14 = BN/GN
									15 = WH/YE
									16 = YE/BN
									17 = WH/GY

* Standard cable lengths are 2/5/10M, Consult factory for other lengths. Optional cable S00: fixed installation shielded of PVC, S13: drag chain installation shielded of PUR.

M12 Right angle Male, Pre-moulding connector, Anti-vibration, shielded



Technical data

- Plug body: TPU/Yellow
- Coupling nut: Zinc/Nickel-plated
- Contact carrier: TPU+GF/Black
- Pin: Brass/Gold-plated
- O-ring: FPM/FKM
- Insulation resistance: $\geq 100M\Omega$
- Forward resistance: $\leq 5m\Omega$
- Degree of pollution: 3
- Ambient temperature: $-25\sim +85^{\circ}C$
- Degree of protection: IP67
- Plug: M12x1
- Coding: A-CODE
- Insertion/withdrawal cycles: ≥ 100
- Standards: IEC 61076-2-101
- Torque: 0.4 Nm (M12 Plug connector)
- Cable: Refer to cable specification for detailed data

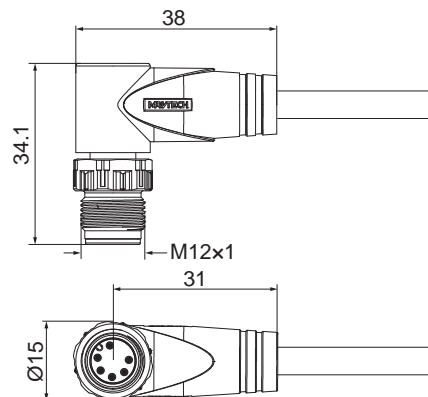
Key Commercial Data

- Weight: 4Pin/16.5g; 5Pin/16.8g (excluding cable)
- Packing unit: 2M/10PCS/Bag, 5M/5PCS/Bag, 10M/1PCS/Bag
- Small package (200x150x100), Medium (330x250x150), Large (400x300x230) mm

Type No.	ID No.	Length	Angle	Coding	Current	Voltage	Wire gauge	Pinout	Wire colors
EWAM4.2-2/S00	10120174	2M	Right angle	A-CODE	4A	250V	2x0.34 (2x22AWG) Black shielded PVC,OD=5.2 No.: 19800052		1 = N/C 2 = N/C 3 = BN 4 = BU
EWAM4.2-5/S00	10120175	5M							
EWAM4.2-10/S00	10120176	10M							
EWAM3-2/S00	10120177	2M	Right angle	A-CODE	4A	250V	3x0.34 (3x22AWG) Black shielded PVC,OD=5.2 No.: 19800053		1 = BN 2 = N/C 3 = BU 4 = BK
EWAM3-5/S00	10120178	5M							
EWAM3-10/S00	10120179	10M							
EWAM4-2/S00	10120180	2M	Right angle	A-CODE	4A	250V	4x0.34 (4x22AWG) Black shielded PVC,OD=5.2 No.: 19800054		1 = BN 2 = WH 3 = BU 4 = BK
EWAM4-5/S00	10120181	5M							
EWAM4-10/S00	10120182	10M							
EWAM4.5-2/S00	10120183	2M	Right angle	A-CODE	4A	250V	5x0.34 (5x22AWG) Black shielded PVC,OD=5.2 No.: 19800055		1 = BN 2 = WH 3 = BU 4 = BK 5 = GY
EWAM4.5-5/S00	10120184	5M							
EWAM4.5-10/S00	10120185	10M							
EWAM5-2/S00	10120186	2M	Right angle	A-CODE	4A	250V	4x0.34+1x0.5 (4x22+1x20AWG) Black shielded PVC,OD=5.2 No.: 19800056		1 = BN 2 = WH 3 = BU 4 = BK 5 = GN/YE
EWAM5-5/S00	10120187	5M							
EWAM5-10/S00	10120188	10M							

* Standard cable lengths are 2/5/10M, Consult factory for other lengths. Optional cable S00: fixed installation shielded of PVC, S13: drag chain installation shielded of PUR.

M12 Right angle Male, Pre-moulding connector, Anti-vibration, shielded



Technical data

- Plug body: TPU/Yellow
- Coupling nut: Zinc/Nickel-plated
- Contact carrier: TPU+GF/Black
- Pin: Brass/Gold-plated
- O-ring: FPM/FKM
- Insulation resistance: $\geq 100M\Omega$
- Forward resistance: $\leq 5m\Omega$
- Degree of pollution: 3
- Ambient temperature: $-25\sim +85^{\circ}C$
- Degree of protection: IP67
- Plug: M12x1
- Coding: A-CODE
- Insertion/withdrawal cycles: ≥ 100
- Standards: IEC 61076-2-101
- Torque: 0.4 Nm (M12 Plug connector)
- Cable: Refer to cable specification for detailed data

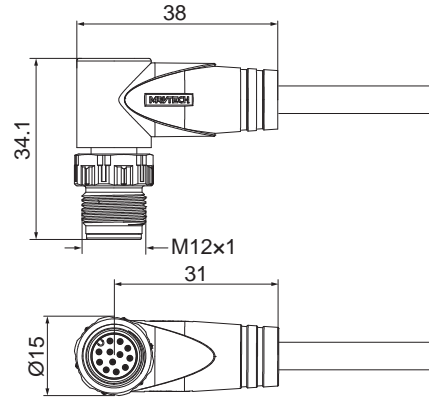
Key Commercial Data

- Weight: 8Pin/17.5g (excluding cable)
- Packing unit: 2M/10PCS/Bag, 5M/5PCS/Bag, 10M/1PCS/Bag
Small package (200x150x100), Medium (330x250x150), Large (400x300x230) mm

Type No.	ID No.	Length	Angle	Coding	Current	Voltage	Wire gauge	Pinout	Wire colors
EWAM6-2/S00	10121111	2M	Right angle	A-CODE	2A	60V	6x0.25 (6x24AWG) Black shielded PVC,OD=5.6 No.: 19800058		1 = BN 2 = WH 3 = BU 4 = BK 5 = GY 6 = PK
EWAM6-5/S00	10121112	5M							
EWAM6-10/S00	10121113	10M							
EWAM6B-2/S00	10121114	2M	Right angle	A-CODE	4A	30V	4x0.5+2x0.25 (4x20+2x24AWG) Black shielded PVC,OD=7.9 No.: 19800145		1 = BN 2 = WH 3 = BU 4 = PK 5 = GY 6 = BK
EWAM6B-5/S00	10121115	5M							
EWAM6B-10/S00	10121116	10M							
EWAM8-2/S00	10120189	2M	Right angle	A-CODE	2A	60V	8x0.25 (8x24AWG) Black shielded PVC,OD=6.2 No.: 19800057		1 = WH 2 = BN 3 = GN 4 = YE 5 = GY 6 = PK 7 = BU 8 = RD
EWAM8-5/S00	10120190	5M							
EWAM8-10/S00	10120191	10M							

* Standard cable lengths are 2/5/10M, Consult factory for other lengths. Optional cable S00: fixed installation shielded of PVC, S13: drag chain installation shielded of PUR.

M12 Right angle Male, Pre-moulding connector, Anti-vibration, shielded



Technical data

- Plug body: TPU/Yellow
- Coupling nut: Zinc/Nickel-plated
- Contact carrier: TPU+GF/Black
- Pin: Brass/Gold-plated
- O-ring: FPM/FKM
- Insulation resistance: $\geq 100M\Omega$
- Forward resistance: $\leq 5m\Omega$
- Degree of pollution: 3
- Ambient temperature: $-25\sim +85^{\circ}C$
- Degree of protection: IP67
- Plug: M12x1
- Coding: A-CODE
- Insertion/withdrawal cycles: ≥ 100
- Standards: IEC 61076-2-101
- Torque: 0.4 Nm (M12 Plug connector)
- Cable: Refer to cable specification for detailed data

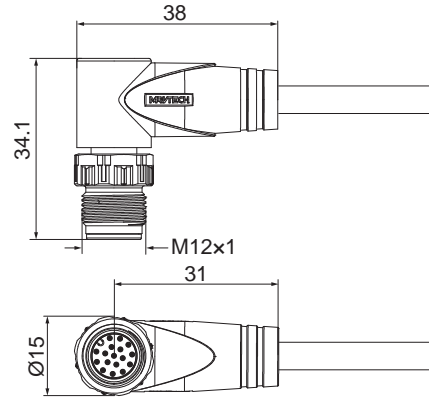
Key Commercial Data

- Packing unit: 2M/10PCS/Bag, 5M/5PCS/Bag, 10M/1PCS/Bag
- Small package (200x150x100), Medium (330x250x150), Large (400x300x230) mm

Type No.	ID No.	Length	Angle	Coding	Current	Voltage	Wire gauge	Pinout	Wire colors
EWAM12-2/S00	10121105	2M	Right angle	A-CODE	2A	60V	12x0.25 (12x24AWG) Black shielded PVC,OD=7.3 No.: 19800146		1 = BN 2 = BU 3 = WH 4 = GN 5 = PK 6 = YE 7 = BK 8 = GY 9 = RD 10 = VT 11 = GY/PK 12 = RD/BU
EWAM12-5/S00	10121106	5M							
EWAM12-10/S00	10121107	10M							

* Standard cable lengths are 2/5/10M, Consult factory for other lengths. Optional cable S00: fixed installation shielded of PVC, S13: drag chain installation shielded of PUR.

M12 Right angle Male, Pre-moulding connector, Anti-vibration, shielded



Technical data

- Plug body: TPU/Yellow
- Coupling nut: Zinc/Nickel-plated
- Contact carrier: TPU+GF/Black
- Pin: Brass/Gold-plated
- O-ring: FPM/FKM
- Insulation resistance: $\geq 100M\Omega$
- Forward resistance: $\leq 5m\Omega$
- Degree of pollution: 3
- Ambient temperature: $-25\sim +85^{\circ}C$
- Degree of protection: IP67
- Plug: M12x1
- Coding: A-CODE
- Insertion/withdrawal cycles: ≥ 100
- Standards: IEC 61076-2-101
- Torque: 0.4 Nm (M12 Plug connector)
- Cable: Refer to cable specification for detailed data

Key Commercial Data

- Packing unit: 2M/10PCS/Bag, 5M/5PCS/Bag, 10M/1PCS/Bag
- Small package (200x150x100), Medium (330x250x150), Large (400x300x230) mm

Type No.	ID No.	Length	Angle	Coding	Current	Voltage	Wire gauge	Pinout	Wire colors
EWAM17-2/S00	10121108	2M	Right angle	A-CODE	1.5A	30V	7P×0.14+3×0.14 7P×26+3×26AWG Black shielded PVC,OD=8.2 No.: 19800088		1 = BN
EWAM17-5/S00	10121109	5M							2 = BU
EWAM17-10/S00	10121110	10M							3 = WH
									4 = GN
									5 = PK
									6 = YE
									7 = BK
									8 = GY
									9 = RD
									10 = VT
									11 = GY/PK
									12 = RD/BU
									13 = WH/GN
									14 = BN/GN
									15 = WH/YE
									16 = YE/BN
									17 = WH/GY

* Standard cable lengths are 2/5/10M, Consult factory for other lengths. Optional cable S00: fixed installation shielded of PVC, S13: drag chain installation shielded of PUR.

M8

M12

7/8"

M16

M23

CC-LINK

DeviceNet

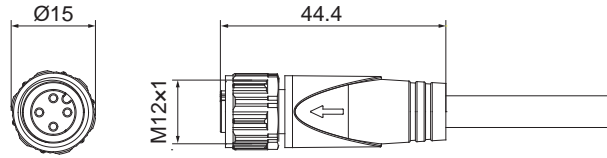
Profibus-DP

E-Net & P-Net

分支器&分线盒

阀式连接器

M12 Female, Pre-moulding connector, Anti-vibration, with LEDs



Technical data

- Plug body: TPU/Transparent
- Coupling nut: Zinc/Nickel-plated
- Contact carrier: TPU+GF/Black
- Pin: Brass/Gold-plated
- O-ring: FPM/FKM
- Insulation resistance: $\geq 100M\Omega$
- Forward resistance: $\leq 5m\Omega$
- Degree of pollution: 3
- Ambient temperature: $-25\sim +85^{\circ}C$
- Degree of protection: IP67
- Plug: M12×1
- Coding: A-CODE
- Insertion/withdrawal cycles: ≥ 100
- Standards: IEC 61076-2-101
- Torque: 0.4 Nm (M12 Plug connector)
- Cable: Refer to cable specification for detailed data

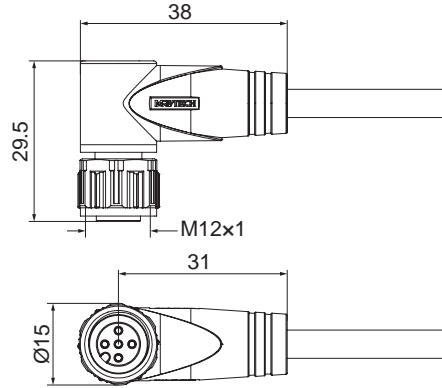
Key Commercial Data

- Weight: 4Pin/10g, 5Pin/10.3g (excluding cable)
- Packing unit: 2M/10PCS/Bag, 5M/5PCS/Bag, 10M/1PCS/Bag
- Small package (200×150×100), Medium (330×250×150), Large (400×300×230) mm

Type No.	ID No.	Length	Angle	Coding	Current	Voltage	Wire gauge	Pinout	Wire colors
EAF3P2-2/C00	10121117	2M	Straight	A-CODE	4A	10-30 VDC	3×0.34 (3×22AWG) Black PVC, OD=5.2 No.: 19800013		
EAF3P2-5/C00	10121118	5M							
EAF3P2-10/C00	10121119	10M							
EAF4P3-2/C00	10121120	2M	Straight	A-CODE	4A	10-30 VDC	4×0.34 (4×22AWG) Black PVC, OD=5.2 No.: 19800014		
EAF4P3-5/C00	10121121	5M							
EAF4P3-10/C00	10121122	10M							
EAF4P3.1-2/C00	10121123	2M	Straight	A-CODE	4A	10-30 VDC	4×0.34 (4×22AWG) Black PVC, OD=5.2 No.: 19800014		
EAF4P3.1-5/C00	10121124	5M							
EAF4P3.1-10/C00	10121125	10M							
EAF5P3-2/C00	10121126	2M	Straight	A-CODE	4A	10-30 VDC	4×0.34+1×0.5 (4×22+1×20AWG) Black PVC, OD=5.2 No.: 19800015		
EAF5P3-5/C00	10121127	5M							
EAF5P3-10/C00	10121128	10M							
EAF5P3.1-2/C00	10121129	2M	Straight	A-CODE	4A	10-30 VDC	4×0.34+1×0.5 (4×22+1×20AWG) Black PVC, OD=5.2 No.: 19800015		
EAF5P3.1-5/C00	10121130	5M							
EAF5P3.1-10/C00	10121131	10M							

* Standard cable lengths are 2/5/10M, Consult factory for other lengths. Optional cable C00: fixed installation of PVC, C10: fixed installation of oil-resistant PUR, C13: drag chain installation of PUR.

M12 Right angle Female, Pre-moulding connector, Anti-vibration, with LEDs



Technical data

- Plug body: TPU/Transparent
- Coupling nut: Zinc/Nickel-plated
- Contact carrier: TPU+GF/Black
- Pin: Brass/Gold-plated
- O-ring: FPM/FKM
- Insulation resistance: $\geq 100M\Omega$
- Forward resistance: $\leq 5m\Omega$
- Degree of pollution: 3
- Ambient temperature: $-25\sim +85^{\circ}C$
- Degree of protection: IP67
- Plug: M12x1
- Coding: A-CODE
- Insertion/withdrawal cycles: ≥ 100
- Standards: IEC 61076-2-101
- Torque: 0.4 Nm (M12 Plug connector)
- Cable: Refer to cable specification for detailed data

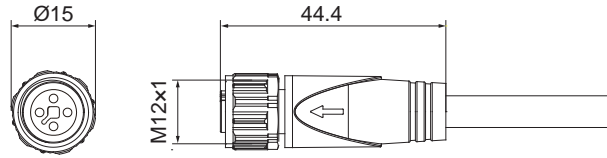
Key Commercial Data

- Weight: 4Pin/10g, 5Pin/10.3g (excluding cable)
- Packing unit: 2M/10PCS/Bag, 5M/5PCS/Bag, 10M/1PCS/Bag
Small package (200x150x100), Medium (330x250x150), Large (400x300x230) mm

Type No.	ID No.	Length	Angle	Coding	Current	Voltage	Wire gauge	Pinout	Wire colors
EWA3P2-2/C00	10121132	2M	Right angle	A-CODE	4A	10-30 VDC	3x0.34 (3x22AWG) Black PVC, OD=5.2 No.: 19800013		
EWA3P2-5/C00	10121133	5M							
EWA3P2-10/C00	10121134	10M							
EWA4P3-2/C00	10121135	2M	Right angle	A-CODE	4A	10-30 VDC	4x0.34 (4x22AWG) Black PVC, OD=5.2 No.: 19800014		
EWA4P3-5/C00	10121136	5M							
EWA4P3-10/C00	10121137	10M							
EWA4P3.1-2/C00	10121138	2M	Right angle	A-CODE	4A	10-30 VDC	4x0.34 (4x22AWG) Black PVC, OD=5.2 No.: 19800014		
EWA4P3.1-5/C00	10121139	5M							
EWA4P3.1-10/C00	10121140	10M							
EWA5P3-2/C00	10121141	2M	Right angle	A-CODE	4A	10-30 VDC	4x0.34+1x0.5 (4x22+1x20AWG) Black PVC, OD=5.2 No.: 19800015		
EWA5P3-5/C00	10121142	5M							
EWA5P3-10/C00	10121143	10M							
EWA5P3.1-2/C00	10121144	2M	Right angle	A-CODE	4A	10-30 VDC	4x0.34+1x0.5 (4x22+1x20AWG) Black PVC, OD=5.2 No.: 19800015		
EWA5P3.1-5/C00	10121145	5M							
EWA5P3.1-10/C00	10121146	10M							

* Standard cable lengths are 2/5/10M, Consult factory for other lengths. Optional cable C00: fixed installation of PVC, C10: fixed installation of oil-resistant PUR, C13: drag chain installation of PUR.

M12 Female, Pre-moulding connector, Anti-vibration



Technical data

- Plug body: TPU/Yellow
- Coupling nut: Zinc/Nickel-plated
- Contact carrier: TPU+GF/Black
- Pin: Brass/Gold-plated
- O-ring: FPM/FKM
- Insulation resistance: $\geq 100M\Omega$
- Forward resistance: $\leq 5m\Omega$
- Degree of pollution: 3
- Ambient temperature: $-25\sim +85^{\circ}C$
- Degree of protection: IP67
- Plug: M12×1
- Coding: T/S/L/K-CODE
- Insertion/withdrawal cycles: ≥ 100
- Standards: IEC 61076-2-101
- Torque: 0.4 Nm (M12 Plug connector)
- Cable: Refer to cable specification for detailed data

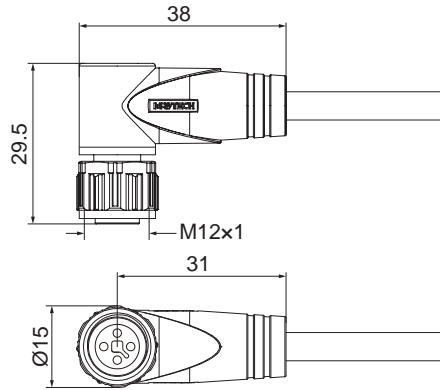
Key Commercial Data

- Weight: 4Pin/10g, 5Pin/10.3g (excluding cable)
- Packing unit: 2M/10PCS/Bag, 5M/5PCS/Bag, 10M/1PCS/Bag
- Small package (200×150×100), Medium (330×250×150), Large (400×300×230) mm

Type No.	ID No.	Length	Angle	Coding	Current	Voltage	Wire gauge	Pinout	Wire colors
ETF4-2/C00	10121147	2M	Straight	T-CODE	12A	63VDC	4×1.5 (4×16AWG) Black PVC, OD=8.5 No.: 19800169		1 = BN 2 = WH 3 = BU 4 = BK
ETF4-5/C00	10121148	5M							
ETF4-10/C00	10121149	10M							
ESF4-2/C00	10121150	2M	Straight	S-CODE	12A	630VAC	4G1.5 (4G16AWG) Black PVC, OD=8.5 No.: 19800170		1 = BK1 2 = BK2 3 = BK3 4 = GN/YE
ESF4-5/C00	10121151	5M							
ESF4-10/C00	10121152	10M							
ELF5-2/C00	10121153	2M	Straight	L-CODE	16A	63VDC	5×2.5 (5×14AWG) Black PVC, OD=9.7 No.: 19800171		1 = BN 2 = WH 3 = BU 4 = BK 5 = GY
ELF5-5/C00	10121154	5M							
ELF5-10/C00	10121155	10M							
EKF5-2/C00	10121156	2M	Straight	K-CODE	16A	630VAC	5G2.5 (5G14AWG) Black PVC, OD=9.7 No.: 19800172		1 = BK1 2 = BK2 3 = BK3 4 = BK4 5 = GN/YE
EKF5-5/C00	10121157	5M							
EKF5-10/C00	10121158	10M							

* Standard cable lengths are 2/5/10M, Consult factory for other lengths. Optional cable C00: fixed installation of PVC, C10: fixed installation of oil-resistant PUR, C13: drag chain installation of PUR.

M12 Right angle Female, Pre-moulding connector, Anti-vibration



Technical data

- Plug body: TPU/Yellow
- Coupling nut: Zinc/Nickel-plated
- Contact carrier: TPU+GF/Black
- Pin: Brass/Gold-plated
- O-ring: FPM/FKM
- Insulation resistance: $\geq 100M\Omega$
- Forward resistance: $\leq 5m\Omega$
- Degree of pollution: 3
- Ambient temperature: $-25\sim +85^{\circ}C$
- Degree of protection: IP67
- Plug: M12x1
- Coding: T/S/L/K-CODE
- Insertion/withdrawal cycles: ≥ 100
- Standards: IEC 61076-2-101
- Torque: 0.4 Nm (M12 Plug connector)
- Cable: Refer to cable specification for detailed data

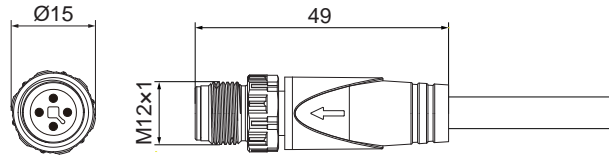
Key Commercial Data

- Weight: 4Pin/10g, 5Pin/10.3g (excluding cable)
- Packing unit: 2M/10PCS/Bag, 5M/5PCS/Bag, 10M/1PCS/Bag
Small package (200x150x100), Medium (330x250x150), Large (400x300x230) mm

Type No.	ID No.	Length	Angle	Coding	Current	Voltage	Wire gauge	Pinout	Wire colors
EWTF4-2/C00	10121159	2M	Right angle	T-CODE	12A	63VDC	4x1.5 (4x16AWG) Black PVC, OD=8.5 No.: 19800169		1 = BN 2 = WH 3 = BU 4 = BK
EWTF4-5/C00	10121160	5M							
EWTF4-10/C00	10121161	10M							
EWSF4-2/C00	10121162	2M	Right angle	S-CODE	12A	630VAC	4G1.5 (4G16AWG) Black PVC, OD=8.5 No.: 19800170		1 = BK1 2 = BK2 3 = BK3 4 = GN/YE
EWSF4-5/C00	10121163	5M							
EWSF4-10/C00	10121164	10M							
EWLF5-2/C00	10121165	2M	Right angle	L-CODE	16A	63VDC	5x2.5 (5x14AWG) Black PVC, OD=9.7 No.: 19800171		1 = BN 2 = WH 3 = BU 4 = BK 5 = GY
EWLF5-5/C00	10121166	5M							
EWLF5-10/C00	10121167	10M							
EWKF5-2/C00	10121168	2M	Right angle	K-CODE	16A	630VAC	5G2.5 (5G14AWG) Black PVC, OD=9.7 No.: 19800172		1 = BK1 2 = BK2 3 = BK3 4 = BK4 5 = GN/YE
EWKF5-5/C00	10121169	5M							
EWKF5-10/C00	10121170	10M							

* Standard cable lengths are 2/5/10M, Consult factory for other lengths. Optional cable C00: fixed installation of PVC, C10: fixed installation of oil-resistant PUR, C13: drag chain installation of PUR.

M12 Male, Pre-moulding connector, Anti-vibration



Technical data

- Plug body: TPU/Yellow
- Coupling nut: Zinc/Nickel-plated
- Contact carrier: TPU+GF/Black
- Pin: Brass/Gold-plated
- O-ring: FPM/FKM
- Insulation resistance: $\geq 100M\Omega$
- Forward resistance: $\leq 5m\Omega$
- Degree of pollution: 3
- Ambient temperature: $-25\sim +85^{\circ}C$
- Degree of protection: IP67
- Plug: M12×1
- Coding: T/S/L/K-CODE
- Insertion/withdrawal cycles: ≥ 100
- Standards: IEC 61076-2-101
- Torque: 0.4 Nm (M12 Plug connector)
- Cable: Refer to cable specification for detailed data

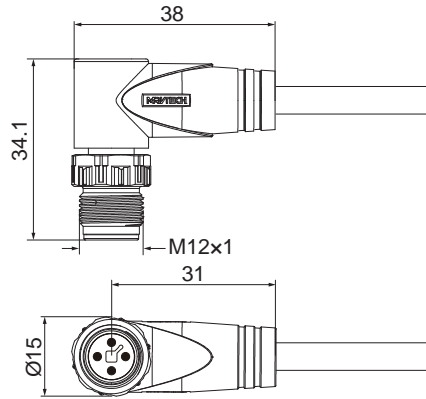
Key Commercial Data

- Weight: 4Pin/10g, 5Pin/10.3g (excluding cable)
- Packing unit: 2M/10PCS/Bag, 5M/5PCS/Bag, 10M/1PCS/Bag
- Small package (200×150×100), Medium (330×250×150), Large (400×300×230) mm

Type No.	ID No.	Length	Angle	Coding	Current	Voltage	Wire gauge	Pinout	Wire colors
ETM4-2/C00	10121171	2M	Straight	T-CODE	12A	63VDC	4×1.5 (4×16AWG) Black PVC, OD=8.5 No.: 19800169		1 = BN 2 = WH 3 = BU 4 = BK
ETM4-5/C00	10121172	5M							
ETM4-10/C00	10121173	10M							
ESM4-2/C00	10121174	2M	Straight	S-CODE	12A	630VAC	4G1.5 (4G16AWG) Black PVC, OD=8.5 No.: 19800170		1 = BK1 2 = BK2 3 = BK3 4 = GN/YE
ESM4-5/C00	10121175	5M							
ESM4-10/C00	10121176	10M							
ELM5-2/C00	10121177	2M	Straight	L-CODE	16A	63VDC	5×2.5 (5×14AWG) Black PVC, OD=9.7 No.: 19800171		1 = BN 2 = WH 3 = BU 4 = BK 5 = GY
ELM5-5/C00	10121178	5M							
ELM5-10/C00	10121179	10M							
EKM5-2/C00	10121180	2M	Straight	K-CODE	16A	630VAC	5G2.5 (5G14AWG) Black PVC, OD=9.7 No.: 19800172		1 = BK1 2 = BK2 3 = BK3 4 = BK4 5 = GN/YE
EKM5-5/C00	10121181	5M							
EKM5-10/C00	10121182	10M							

* Standard cable lengths are 2/5/10M, Consult factory for other lengths. Optional cable C00: fixed installation of PVC, C10: fixed installation of oil-resistant PUR, C13: drag chain installation of PUR.

M12 Right angle Male, Pre-moulding connector, Anti-vibration



Technical data

- Plug body: TPU/Yellow
- Coupling nut: Zinc/Nickel-plated
- Contact carrier: TPU+GF/Black
- Pin: Brass/Gold-plated
- O-ring: FPM/FKM
- Insulation resistance: $\geq 100M\Omega$
- Forward resistance: $\leq 5m\Omega$
- Degree of pollution: 3
- Ambient temperature: $-25\sim +85^{\circ}C$
- Degree of protection: IP67
- Plug: M12x1
- Coding: T/S/L/K-CODE
- Insertion/withdrawal cycles: ≥ 100
- Standards: IEC 61076-2-101
- Torque: 0.4 Nm (M12 Plug connector)
- Cable: Refer to cable specification for detailed data

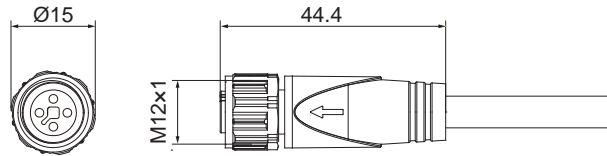
Key Commercial Data

- Weight: 4Pin/10g, 5Pin/10.3g (excluding cable)
- Packing unit: 2M/10PCS/Bag, 5M/5PCS/Bag, 10M/1PCS/Bag
Small package (200x150x100), Medium (330x250x150), Large (400x300x230) mm

Type No.	ID No.	Length	Angle	Coding	Current	Voltage	Wire gauge	Pinout	Wire colors
EWTM4-2/C00	10121183	2M	Right angle	T-CODE	12A	63VDC	4x1.5 (4x16AWG) Black PVC, OD=8.5 No.: 19800169		1 = BN 2 = WH 3 = BU 4 = BK
EWTM4-5/C00	10121184	5M							
EWTM4-10/C00	10121185	10M							
EWSM4-2/C00	10121186	2M	Right angle	S-CODE	12A	630VAC	4G1.5 (4G16AWG) Black PVC, OD=8.5 No.: 19800170		1 = BK1 2 = BK2 3 = BK3 4 = GN/YE
EWSM4-5/C00	10121187	5M							
EWSM4-10/C00	10121188	10M							
EWLM5-2/C00	10121189	2M	Right angle	L-CODE	16A	63VDC	5x2.5 (5x14AWG) Black PVC, OD=9.7 No.: 19800171		1 = BN 2 = WH 3 = BU 4 = BK 5 = GY
EWLM5-5/C00	10121190	5M							
EWLM5-10/C00	10121191	10M							
EWKM5-2/C00	10121192	2M	Right angle	K-CODE	16A	630VAC	5G2.5 (5G14AWG) Black PVC, OD=9.7 No.: 19800172		1 = BK1 2 = BK2 3 = BK3 4 = BK4 5 = GN/YE
EWKM5-5/C00	10121193	5M							
EWKM5-10/C00	10121194	10M							

* Standard cable lengths are 2/5/10M, Consult factory for other lengths. Optional cable C00: fixed installation of PVC, C10: fixed installation of oil-resistant PUR, C13: drag chain installation of PUR.

M12 Female, Pre-moulding connector, Anti-vibration, shielded



Technical data

- Plug body: TPU/Yellow
- Coupling nut: Zinc/Nickel-plated
- Contact carrier: TPU+GF/Black
- Pin: Brass/Gold-plated
- O-ring: FPM/FKM
- Insulation resistance: $\geq 100M\Omega$
- Forward resistance: $\leq 5m\Omega$
- Degree of pollution: 3
- Ambient temperature: $-25\sim +85^{\circ}C$
- Degree of protection: IP67
- Plug: M12x1
- Coding: T/S/L/K-CODE
- Insertion/withdrawal cycles: ≥ 100
- Standards: IEC 61076-2-101
- Torque: 0.4 Nm (M12 Plug connector)
- Cable: Refer to cable specification for detailed data

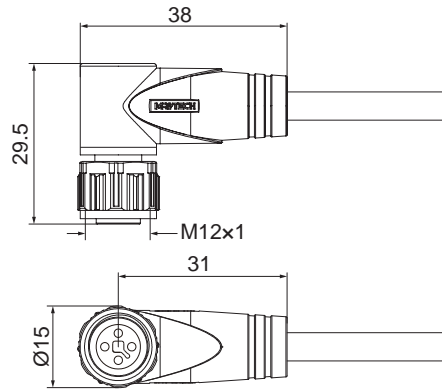
Key Commercial Data

- Weight: 4Pin/10g, 5Pin/10.3g (excluding cable)
- Packing unit: 2M/10PCS/Bag, 5M/5PCS/Bag, 10M/1PCS/Bag
- Small package (200x150x100), Medium (330x250x150), Large (400x300x230) mm

Type No.	ID No.	Length	Angle	Coding	Current	Voltage	Wire gauge	Pinout	Wire colors
ETF4-2/S00	10121195	2M	Straight	T-CODE	12A	63VDC	4x1.5 (4x16AWG) Black shielded PVC,OD=9.7 No.: 19800173		1 = BN 2 = WH 3 = BU 4 = BK
ETF4-5/S00	10121196	5M							
ETF4-10/S00	10121197	10M							
ESF4-2/S00	10121198	2M	Straight	S-CODE	12A	630VAC	4G1.5 (4G16AWG) Black shielded PVC,OD=9.7 No.: 19800174		1 = BK1 2 = BK2 3 = BK3 4 = GN/YE
ESF4-5/S00	10121199	5M							
ESF4-10/S00	10121200	10M							
ELF5-2/S00	10121201	2M	Straight	L-CODE	16A	63VDC	5x2.5 (5x14AWG) Black shielded PVC,OD=10.5 No.: 19800175		1 = BN 2 = WH 3 = BU 4 = BK 5 = GY
ELF5-5/S00	10121202	5M							
ELF5-10/S00	10121203	10M							
EKF5-2/S00	10121204	2M	Straight	K-CODE	16A	630VAC	5G2.5 (5G14AWG) Black shielded PVC,OD=10.5 No.: 19800176		1 = BK1 2 = BK2 3 = BK3 4 = BK4 5 = GN/YE
EKF5-5/S00	10121205	5M							
EKF5-10/S00	10121206	10M							

* Standard cable lengths are 2/5/10M, Consult factory for other lengths. Optional cable C00: fixed installation of PVC, C10: fixed installation of oil-resistant PUR, C13: drag chain installation of PUR.

M12 Right angle Male, Pre-moulding connector, Anti-vibration, shielded



Technical data

- Plug body: TPU/Yellow
- Coupling nut: Zinc/Nickel-plated
- Contact carrier: TPU+GF/Black
- Pin: Brass/Gold-plated
- O-ring: FPM/FKM
- Insulation resistance: $\geq 100M\Omega$
- Forward resistance: $\leq 5m\Omega$
- Degree of pollution: 3
- Ambient temperature: $-25 \sim +85^{\circ}C$
- Degree of protection: IP67
- Plug: M12x1
- Coding: T/S/L/K-CODE
- Insertion/withdrawal cycles: ≥ 100
- Standards: IEC 61076-2-101
- Torque: 0.4 Nm (M12 Plug connector)
- Cable: Refer to cable specification for detailed data

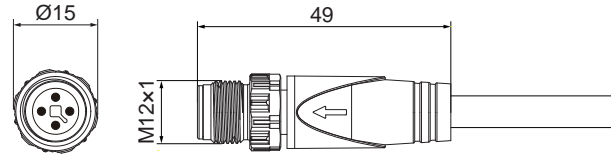
Key Commercial Data

- Weight: 4Pin/10g, 5Pin/10.3g (excluding cable)
- Packing unit: 2M/10PCS/Bag, 5M/5PCS/Bag, 10M/1PCS/Bag
Small package (200x150x100), Medium (330x250x150), Large (400x300x230) mm

Type No.	ID No.	Length	Angle	Coding	Current	Voltage	Wire gauge	Pinout	Wire colors
EWTF4-2/S00	10121207	2M	Right angle	T-CODE	12A	63VDC	4x1.5 (4x16AWG) Black shielded PVC,OD=9.7 No.: 19800173		1 = BN 2 = WH 3 = BU 4 = BK
EWTF4-5/S00	10121208	5M							
EWTF4-10/S00	10121209	10M							
EWSF4-2/S00	10121210	2M	Right angle	S-CODE	12A	630VAC	4G1.5 (4G16AWG) Black shielded PVC,OD=9.7 No.: 19800174		1 = BK1 2 = BK2 3 = BK3 4 = GN/YE
EWSF4-5/S00	10121211	5M							
EWSF4-10/S00	10121212	10M							
EWLF5-2/S00	10121213	2M	Right angle	L-CODE	16A	63VDC	5x2.5 (5x14AWG) Black shielded PVC,OD=10.5 No.: 19800175		1 = BN 2 = WH 3 = BU 4 = BK 5 = GY
EWLF5-5/S00	10121214	5M							
EWLF5-10/S00	10121215	10M							
EWKF5-2/S00	10121216	2M	Right angle	K-CODE	16A	630VAC	5G2.5 (5G4AWG) Black shielded PVC,OD=10.5 No.: 19800176		1 = BK1 2 = BK2 3 = BK3 4 = BK4 5 = GN/YE
EWKF5-5/S00	10121217	5M							
EWKF5-10/S00	10121218	10M							

* Standard cable lengths are 2/5/10M, Consult factory for other lengths. Optional cable S00: fixed installation shielded of PVC, S13: drag chain installation shielded of PUR.

M12 Male, Pre-moulding connector, Anti-vibration, shielded



Technical data

- Plug body: TPU/Yellow
- Coupling nut: Zinc/Nickel-plated
- Contact carrier: TPU+GF/Black
- Pin: Brass/Gold-plated
- O-ring: FPM/FKM
- Insulation resistance: $\geq 100M\Omega$
- Forward resistance: $\leq 5m\Omega$
- Degree of pollution: 3
- Ambient temperature: $-25\sim +85^{\circ}C$
- Degree of protection: IP67
- Plug: M12×1
- Coding: T/S/L/K-CODE
- Insertion/withdrawal cycles: ≥ 100
- Standards: IEC 61076-2-101
- Torque: 0.4 Nm (M12 Plug connector)
- Cable: Refer to cable specification for detailed data

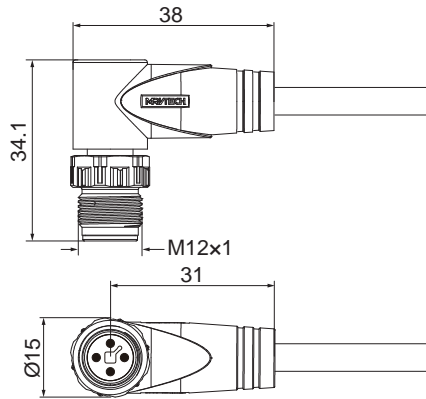
Key Commercial Data

- Weight: 4Pin/10g, 5Pin/10.3g (excluding cable)
- Packing unit: 2M/10PCS/Bag, 5M/5PCS/Bag, 10M/1PCS/Bag
Small package (200×150×100), Medium (330×250×150), Large (400×300×230) mm

Type No.	ID No.	Length	Angle	Coding	Current	Voltage	Wire gauge	Pinout	Wire colors
ETM4-2/S00	10121219	2M	Straight	T-CODE	12A	63VDC	4×1.5 (4×16AWG) Black shielded PVC,OD=9.7 No.: 19800173		1 = BN 2 = WH 3 = BU 4 = BK
ETM4-5/S00	10121220	5M							
ETM4-10/S00	10121221	10M							
ESM4-2/S00	10121222	2M	Straight	S-CODE	12A	630VAC	4G1.5 (4G16AWG) Black shielded PVC,OD=9.7 No.: 19800174		1 = BK1 2 = BK2 3 = BK3 4 = GN/YE
ESM4-5/S00	10121223	5M							
ESM4-10/S00	10121224	10M							
ELM5-2/S00	10121225	2M	Straight	L-CODE	16A	63VDC	5×2.5 (5×14AWG) Black shielded PVC,OD=10.5 No.: 19800175		1 = BN 2 = WH 3 = BU 4 = BK 5 = GY
ELM5-5/S00	10121226	5M							
ELM5-10/S00	10121227	10M							
EKM5-2/S00	10121228	2M	Straight	K-CODE	16A	630VAC	5G2.5 (5G14AWG) Black shielded PVC,OD=10.5 No.: 19800176		1 = BK1 2 = BK2 3 = BK3 4 = BK4 5 = GN/YE
EKM5-5/S00	10121229	5M							
EKM5-10/S00	10121230	10M							

* Standard cable lengths are 2/5/10M, Consult factory for other lengths. Optional cable C00: fixed installation of PVC, C10: fixed installation of oil-resistant PUR, C13: drag chain installation of PUR.

M12 Right angle Male, Pre-moulding connector, Anti-vibration, shielded



Technical data

- Plug body: TPU/Yellow
- Coupling nut: Zinc/Nickel-plated
- Contact carrier: TPU+GF/Black
- Pin: Brass/Gold-plated
- O-ring: FPM/FKM
- Insulation resistance: $\geq 100M\Omega$
- Forward resistance: $\leq 5m\Omega$
- Degree of pollution: 3
- Ambient temperature: $-25\sim +85^{\circ}C$
- Degree of protection: IP67
- Plug: M12x1
- Coding: T/S/L/K-CODE
- Insertion/withdrawal cycles: ≥ 100
- Standards: IEC 61076-2-101
- Torque: 0.4 Nm (M12 Plug connector)
- Cable: Refer to cable specification for detailed data

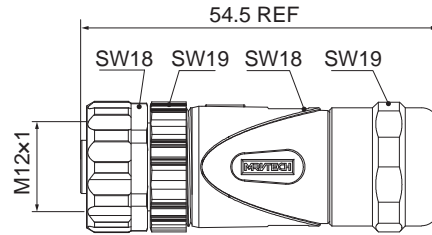
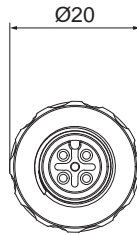
Key Commercial Data

- Weight: 4Pin/10g, 5Pin/10.3g (excluding cable)
- Packing unit: 2M/10PCS/Bag, 5M/5PCS/Bag, 10M/1PCS/Bag
Small package (200x150x100), Medium (330x250x150), Large (400x300x230) mm

Type No.	ID No.	Length	Angle	Coding	Current	Voltage	Wire gauge	Pinout	Wire colors
EWTM4-2/S00	10121231	2M	Right angle	T-CODE	12A	63VDC	4x1.5 (4x16AWG) Black shielded PVC,OD=9.7 No.: 19800173		1 = BN 2 = WH 3 = BU 4 = BK
EWTM4-5/S00	10121232	5M							
EWTM4-10/S00	10121233	10M							
EWSM4-2/S00	10121234	2M	Right angle	S-CODE	12A	630VAC	4G1.5 (4G16AWG) Black shielded PVC,OD=9.7 No.: 19800174		1 = BK1 2 = BK2 3 = BK3 4 = GN/YE
EWSM4-5/S00	10121235	5M							
EWSM4-10/S00	10121236	10M							
EWLM5-2/S00	10121237	2M	Right angle	L-CODE	16A	63VDC	5x2.5 (5x14AWG) Black shielded PVC,OD=10.5 No.: 19800175		1 = BN 2 = WH 3 = BU 4 = BK 5 = GY
EWLM5-5/S00	10121238	5M							
EWLM5-10/S00	10121239	10M							
EWKM5-2/S00	10121240	2M	Right angle	K-CODE	16A	630VAC	5G2.5 (5G14AWG) Black shielded PVC,OD=10.5 No.: 19800176		1 = BK1 2 = BK2 3 = BK3 4 = BK4 5 = GN/YE
EWKM5-5/S00	10121241	5M							
EWKM5-10/S00	10121242	10M							

* Standard cable lengths are 2/5/10M, Consult factory for other lengths. Optional cable S00: fixed installation shielded of PVC, S13: drag chain installation shielded of PUR.

M12 Female, Field wirable connector, Plastic housing, metal coupling nut



Technical data

- Housing material: PA66/Black
- Coupling nut: Zinc/Nickel-plated
- Contact carrier: PA66/Black
- Pin: Brass/silver-plated
- O-ring: FPM/FKM
- Insulation resistance: $\geq 100M\Omega$
- Forward resistance: $\leq 5m\Omega$
- Degree of pollution: 3
- Ambient temperature: $-25\sim +85^{\circ}C$
- Degree of protection: IP67
- Plug: M12x1
- Coding: A-CODE
- Insertion/withdrawal cycles: ≥ 100
- Standards: IEC 61076-2-101
- Connection: Screw connection

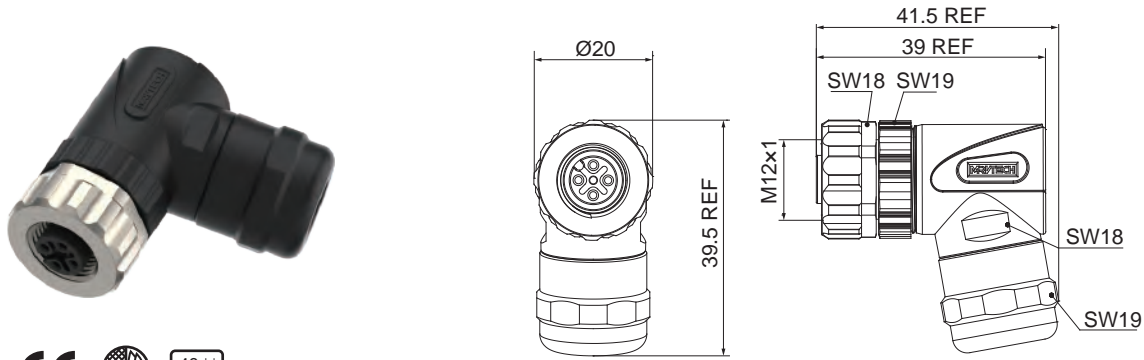
Key Commercial Data

- Weight: 4Pin/25.7g;5Pin/27g; 8Pin/24.4g
- Packing unit: 1PCS/Bag
Small package (200×150×100) , Medium (330×250×150) , Large (400×300×230) mm

Type No.	ID No.	Connection	Coding	Current	Voltage	Wire gauge	Pinout
EAF412-8	11120012	Screw connection	A-CODE	4A	250V	0.25~0.75 mm ² (without ferrule) 0.14~0.75 mm ² (with ferrule) Accept cable diameter: 4~6mm (Black O-ring) 6~8mm (Gray O-ring)	
EAF512-8	11120013	Screw connection	A-CODE	4A	250V	0.25~0.75 mm ² (without ferrule) 0.14~0.75 mm ² (with ferrule) Accept cable diameter: 4~6mm (Black O-ring) 6~8mm (Gray O-ring)	
EAF812-8	11120014	Screw connection	A-CODE	2A	60V	0.25~0.5 mm ² (without ferrule) 0.14~0.5 mm ² (with ferrule) Accept cable diameter: 4~6mm (Black O-ring) 6~8mm (Gray O-ring)	

* M12 Field wirable connector, Female, Plastic housing, metal coupling nut *

M12 Right angle Female, Field wirable connector, Plastic housing, metal coupling nut



Technical data

- Housing material: PA66/Black
- Coupling nut: Zinc/Nickel-plated
- Contact carrier: PA66/Black
- Pin: Brass/silver-plated
- O-ring: FPM/FKM
- Insulation resistance: $\geq 100M\Omega$
- Forward resistance: $\leq 5m\Omega$
- Degree of pollution: 3
- Ambient temperature: $-25\sim +85^{\circ}C$
- Degree of protection: IP67
- Plug: M12x1
- Coding: A-CODE
- Insertion/withdrawal cycles: ≥ 100
- Standards: IEC 61076-2-101
- Connection: Screw connection

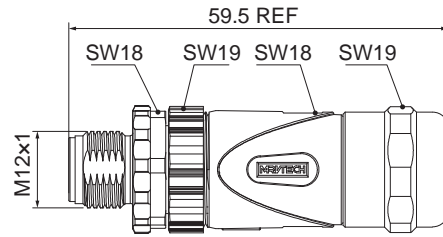
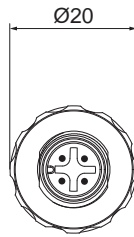
Key Commercial Data

- Weight: 4Pin/19.6g; 5Pin/20.3g; 8Pin/22.4g
- Packing unit: 1PCS/Bag
Small package (200x150x100), Medium (330x250x150), Large (400x300x230) mm

Type No.	ID No.	Connection	Coding	Current	Voltage	Wire gauge	Pinout
EWAF412-8	11120015	Screw connection	A-CODE	4A	250V	0.25~0.75 mm ² (without ferrule) 0.14~0.75 mm ² (with ferrule) Accept cable diameter: 4~6mm (Black O-ring) 6~8mm (Gray O-ring)	
EWAF512-8	11120016	Screw connection	A-CODE	4A	250V	0.25~0.75 mm ² (without ferrule) 0.14~0.75 mm ² (with ferrule) Accept cable diameter: 4~6mm (Black O-ring) 6~8mm (Gray O-ring)	
EWAF812-8	11120017	Screw connection	A-CODE	2A	60V	0.25~0.5 mm ² (without ferrule) 0.14~0.5 mm ² (with ferrule) Accept cable diameter: 4~6mm (Black O-ring) 6~8mm (Gray O-ring)	

* M12 Field wirable connector, Right angle Female, Plastic housing, metal coupling nut *

M12 Male, Field wirable connector, Plastic housing, metal coupling nut



Technical data

- Housing material: PA66/Black
- Coupling nut: Zinc/Nickel-plated
- Contact carrier: PA66/Black
- Pin: Brass/silver-plated
- O-ring: FPM/FKM
- Insulation resistance: $\geq 100M\Omega$
- Forward resistance: $\leq 5m\Omega$
- Degree of pollution: 3
- Ambient temperature: $-25\sim +85^{\circ}C$
- Degree of protection: IP67
- Plug: M12x1
- Coding: A-CODE
- Insertion/withdrawal cycles: ≥ 100
- Standards: IEC 61076-2-101
- Connection: Screw connection

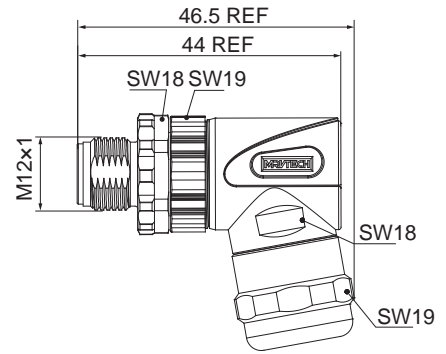
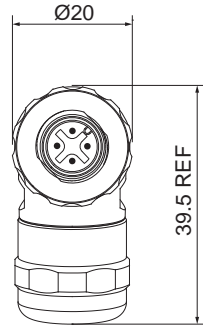
Key Commercial Data

- Weight: 4Pin/22g;5Pin/25g
8Pin/28.6g
- Packing unit: 1PCS/Bag
Small package (200x150x100) , Medium (330x250x150) , Large (400x300x230) mm

Type No.	ID No.	Connection	Coding	Current	Voltage	Wire gauge	Pinout
EAM412-8	11120018	Screw connection	A-CODE	4A	250V	0.25~0.75 mm ² (without ferrule) 0.14~0.75 mm ² (with ferrule) Accept cable diameter: 4~6mm (Black O-ring) 6~8mm (Gray O-ring)	
EAM512-8	11120019	Screw connection	A-CODE	4A	250V	0.25~0.75 mm ² (without ferrule) 0.14~0.75 mm ² (with ferrule) Accept cable diameter: 4~6mm (Black O-ring) 6~8mm (Gray O-ring)	
EAM812-8	11120020	Screw connection	A-CODE	2A	60V	0.25~0.5 mm ² (without ferrule) 0.14~0.5 mm ² (with ferrule) Accept cable diameter: 4~6mm (Black O-ring) 6~8mm (Gray O-ring)	

* M12 Field wirable connector, Male, Plastic housing, metal coupling nut *

M12 Right angle Male, Field wirable connector, Plastic housing, metal coupling nut



Technical data

- Housing material: PA66/Black
- Coupling nut: Zinc/Nickel-plated
- Contact carrier: PA66/Black
- Pin: Brass/silver-plated
- O-ring: FPM/FKM
- Insulation resistance: $\geq 100M\Omega$
- Forward resistance: $\leq 5m\Omega$
- Degree of pollution: 3
- Ambient temperature: $-25\sim +85^{\circ}C$
- Degree of protection: IP67
- Plug: M12x1
- Coding: A-CODE
- Insertion/withdrawal cycles: ≥ 100
- Standards: IEC 61076-2-101
- Connection: Screw connection

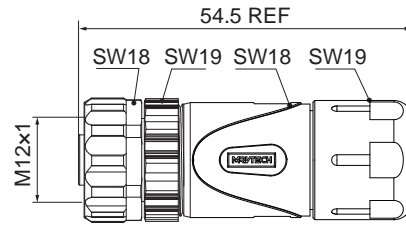
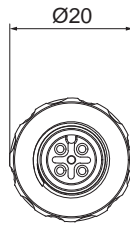
Key Commercial Data

- Weight: 4Pin/23g; 5Pin/26g; 8Pin/29.6g
- Packing unit: 1PCS/Bag
Small package (200x150x100), Medium (330x250x150), Large (400x300x230) mm

Type No.	ID No.	Connection	Coding	Current	Voltage	Wire gauge	Pinout
EWAM412-8	11120021	Screw connection	A-CODE	4A	250V	0.25~0.75 mm ² (without ferrule) 0.14~0.75 mm ² (with ferrule) Accept cable diameter: 4~6mm (Black O-ring) 6~8mm (Gray O-ring)	
EWAM512-8	11120022	Screw connection	A-CODE	4A	250V	0.25~0.75 mm ² (without ferrule) 0.14~0.75 mm ² (with ferrule) Accept cable diameter: 4~6mm (Black O-ring) 6~8mm (Gray O-ring)	
EWAM812-8	11120023	Screw connection	A-CODE	2A	60V	0.25~0.5 mm ² (without ferrule) 0.14~0.5 mm ² (with ferrule) Accept cable diameter: 4~6mm (Black O-ring) 6~8mm (Gray O-ring)	

* M12 Field wirable connector, Right angle Male, Plastic housing, metal coupling nut *

M12 Female, Plastic housing, metal coupling nut, two cables can be connected



Technical data

- Housing material: PA66/Black
- Coupling nut: Zinc/Nickel-plated
- Contact carrier: PA66/Black
- Pin: Brass/silver-plated
- O-ring: FPM/FKM
- Insulation resistance: $\geq 100M\Omega$
- Forward resistance: $\leq 5m\Omega$
- Degree of pollution: 3
- Ambient temperature: $-25\sim +85^{\circ}C$
- Degree of protection: IP67
- Plug: M12x1
- Coding: A-CODE
- Insertion/withdrawal cycles: ≥ 100
- Standards: IEC 61076-2-101
- Connection: Screw connection

Key Commercial Data

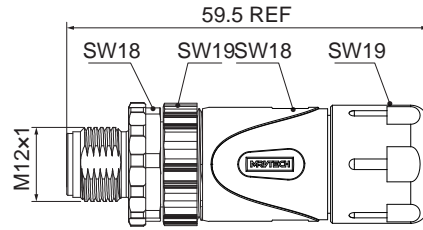
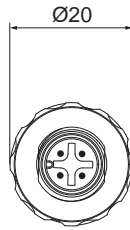
- Weight: 4Pin/25.7g;5Pin/27g;
- Packing unit: 1PCS/Bag
Small package (200x150x100) , Medium (330x250x150) , Large (400x300x230) mm

Type No.	ID No.	Connection	Coding	Current	Voltage	Wire gauge	Pinout
EAF412-10/2C	11120095	Screw connection	A-CODE	4A	250V	0.25~0.75 mm ² (without ferrule) 0.14~0.75 mm ² (with ferrule) Accept cable diameter: 2x (3~5mm) two cables can be connected	
EAF512-10/2C	11120096	Screw connection	A-CODE	4A	250V	0.25~0.75 mm ² (without ferrule) 0.14~0.75 mm ² (with ferrule) Accept cable diameter: 2x (3~5mm) two cables can be connected	

* M12 Field wirable connector, Female, Plastic housing, metal coupling nut *

M12 A-code field wirable connector 4/5pins

M12 Male, Plastic housing, metal coupling nut, two cables can be connected



Technical data

- Housing material: PA66/Black
- Coupling nut: Zinc/Nickel-plated
- Contact carrier: PA66/Black
- Pin: Brass/silver-plated
- O-ring: FPM/FKM
- Insulation resistance: $\geq 100M\Omega$
- Forward resistance: $\leq 5m\Omega$
- Degree of pollution: 3
- Ambient temperature: $-25\sim +85^{\circ}C$
- Degree of protection: IP67
- Plug: M12x1
- Coding: A-CODE
- Insertion/withdrawal cycles: ≥ 100
- Standards: IEC 61076-2-101
- Connection: Screw connection

Key Commercial Data

- Weight: 4Pin/22g; 5Pin/25g;
- Packing unit: 1PCS/Bag
Small package (200x150x100), Medium (330x250x150), Large (400x300x230) mm

Type No.	ID No.	Connection	Coding	Current	Voltage	Wire gauge	Pinout
EAM412-10/2C	11120097	Screw connection	A-CODE	4A	250V	0.25~0.75 mm ² (without ferrule) 0.14~0.75 mm ² (with ferrule) Accept cable diameter: 2x (3~5mm) two cables can be connected	
EAM512-10/2C	11120098	Screw connection	A-CODE	4A	250V	0.25~0.75 mm ² (without ferrule) 0.14~0.75 mm ² (with ferrule) Accept cable diameter: 2x (3~5mm) two cables can be connected	

* M12 Field wirable connector, Male, Plastic housing, metal coupling nut *

M8

M12

7/8"

M16

M23

CC-LINK

DeviceNet

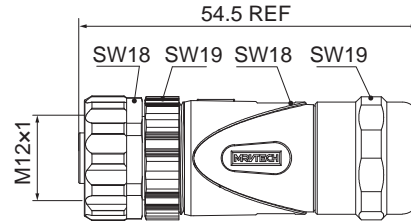
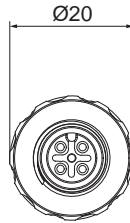
Profibus-DP

E-Net & P-Net

分支器 & 分线盒

阀式连接器

M12 Female, Field wirable connector, Metal housing



Technical data

- Housing material: Zinc/Nickel-plated
- Coupling nut: Zinc/Nickel-plated
- Contact carrier: PA66/Black
- Pin: Brass/Gold-plated
- O-ring: FPM/FKM
- Insulation resistance: $\geq 100M\Omega$
- Forward resistance: $\leq 5m\Omega$
- Degree of pollution: 3
- Ambient temperature: $-25\sim +85^{\circ}C$
- Degree of protection: IP67
- Plug: M12x1
- Coding: A-CODE
- Insertion/withdrawal cycles: ≥ 100
- Standards: IEC 61076-2-101
- Connection: Screw connection

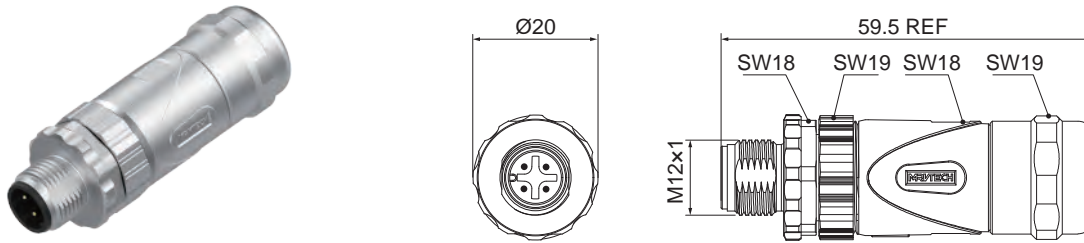
Key Commercial Data

- Weight: 4Pin/80g;5Pin/81g
8Pin/84g
- Packing unit: 1PCS/Bag
Small package (200×150×100) , Medium (330×250×150) , Large (400×300×230) mm

Type No.	ID No.	Connection	Coding	Current	Voltage	Wire gauge	Pinout
EAF428-8	11120024	Screw connection	A-CODE	4A	250V	0.25~0.75 mm ² (without ferrule) 0.14~0.75 mm ² (with ferrule) Accept cable diameter: 4~6mm (Black O-ring) 6~8mm (Gray O-ring)	
EAF528-8	11120025	Screw connection	A-CODE	4A	250V	0.25~0.75 mm ² (without ferrule) 0.14~0.75 mm ² (with ferrule) Accept cable diameter: 4~6mm (Black O-ring) 6~8mm (Gray O-ring)	
EAF828-8	11120026	Screw connection	A-CODE	2A	60V	0.25~0.5 mm ² (without ferrule) 0.14~0.5 mm ² (with ferrule) Accept cable diameter: 4~6mm (Black O-ring) 6~8mm (Gray O-ring)	

* M12 Field wirable connector, Female, Metal housing *

M12 Male, Field wirable connector, Metal housing



Technical data

- Housing material: Zinc/Nickel-plated
- Coupling nut: Zinc/Nickel-plated
- Contact carrier: PA66/Black
- Pin: Brass/Gold-plated
- O-ring: FPM/FKM
- Insulation resistance: $\geq 100M\Omega$
- Forward resistance: $\leq 5m\Omega$
- Degree of pollution: 3
- Ambient temperature: $-25\sim +85^{\circ}C$
- Degree of protection: IP67
- Plug: M12x1
- Coding: A-CODE
- Insertion/withdrawal cycles: ≥ 100
- Standards: IEC 61076-2-101
- Connection: Screw connection

Key Commercial Data

- Weight: 4Pin/82.6g; 5Pin/85g; 8Pin/92.2g
- Packing unit: 1PCS/Bag
Small package (200x150x100), Medium (330x250x150), Large (400x300x230) mm

Type No.	ID No.	Connection	Coding	Current	Voltage	Wire gauge	Pinout
EAM428-8	11120030	Screw connection	A-CODE	4A	250V	0.25~0.75 mm ² (without ferrule) 0.14~0.75 mm ² (with ferrule) Accept cable diameter: 4~6mm (Black O-ring) 6~8mm (Gray O-ring)	
EAM528-8	11120031	Screw connection	A-CODE	4A	250V	0.25~0.75 mm ² (without ferrule) 0.14~0.75 mm ² (with ferrule) Accept cable diameter: 4~6mm (Black O-ring) 6~8mm (Gray O-ring)	
EAM828-8	11120032	Screw connection	A-CODE	2A	60V	0.25~0.5 mm ² (without ferrule) 0.14~0.5 mm ² (with ferrule) Accept cable diameter: 4~6mm (Black O-ring) 6~8mm (Gray O-ring)	

* M12 Field wirable connector, Male, Metal housing *

M8

M12

7/8"

M16

M23

CC-LINK

DeviceNet

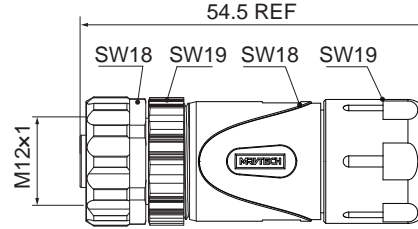
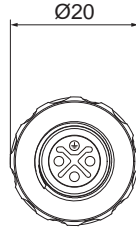
Profibus-DP

E-Net & P-Net

分支器 & 分线盒

阀式连接器

M12 Female, Field wirable connector, Plastic housing, metal coupling nut



Technical data

- Housing material: PA66/Black
- Coupling nut: Zinc/Nickel-plated
- Contact carrier: PA66/Black
- Pin: Brass/silver-plated
- O-ring: FPM/FKM
- Insulation resistance: $\geq 100M\Omega$
- Forward resistance: $\leq 5m\Omega$
- Degree of pollution: 3
- Ambient temperature: $-25\sim +85^{\circ}C$
- Degree of protection: IP67
- Plug: M12x1
- Coding: T/S/L/K-CODE
- Insertion/withdrawal cycles: ≥ 100
- Standards: IEC 61076-2-101
- Connection: Screw connection

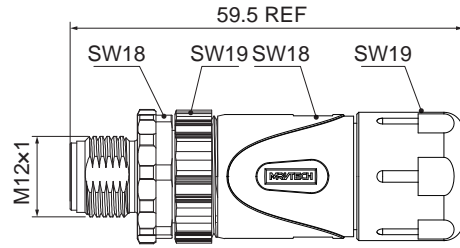
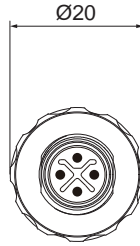
Key Commercial Data

- Packing unit: 1PCS/Bag
- Small package (200x150x100) , Medium (330x250x150) , Large (400x300x230) mm

Type No.	ID No.	Connection	Coding	Current	Voltage	Wire gauge	Pinout
ETF422-10	11120099	Screw connection	T-CODE	12A	63VDC	0.25~1.5 mm ² (without ferrule) 0.14~1.5 mm ² (with ferrule) Accept cable diameter: 8~10mm (Black O-ring)	
ESF422-10	11120100	Screw connection	S-CODE	12A	630VAC	0.25~1.5 mm ² (without ferrule) 0.14~1.5 mm ² (with ferrule) Accept cable diameter: 8~10mm (Black O-ring)	
ELF522-10	11120126	Screw connection	L-CODE	16A	63VDC	0.25~2.5 mm ² (without ferrule) 0.14~2.5 mm ² (with ferrule) Accept cable diameter: 8~10mm (Black O-ring)	
EKF522-10	11120127	Screw connection	K-CODE	16A	630VAC	0.25~2.5 mm ² (without ferrule) 0.14~2.5 mm ² (with ferrule) Accept cable diameter: 8~10mm (Black O-ring)	

* M12 Field wirable connector, Female, Plastic housing, metal coupling nut *

M12 Male, Field wirable connector, Plastic housing, metal coupling nut



Technical data

- Housing material: PA66/Black
- Coupling nut: Zinc/Nickel-plated
- Contact carrier: PA66/Black
- Pin: Brass/silver-plated
- O-ring: FPM/FKM
- Insulation resistance: $\geq 100M\Omega$
- Forward resistance: $\leq 5m\Omega$
- Degree of pollution: 3
- Ambient temperature: $-25\sim +85^{\circ}C$
- Degree of protection: IP67
- Plug: M12x1
- Coding: T/S/L/K-CODE
- Insertion/withdrawal cycles: ≥ 100
- Standards: IEC 61076-2-101
- Connection: Screw connection

Key Commercial Data

- Packing unit: 1PCS/Bag
Small package (200x150x100) , Medium (330x250x150) , Large (400x300x230) mm

Type No.	ID No.	Connection	Coding	Current	Voltage	Wire gauge	Pinout
ETM422-10	11120101	Screw connection	T-CODE	12A	63VDC	0.25~1.5 mm ² (without ferrule) 0.14~1.5 mm ² (with ferrule) Accept cable diameter: 8~10mm (Black O-ring)	
ESM422-10	11120102	Screw connection	S-CODE	12A	630VAC	0.25~1.5 mm ² (without ferrule) 0.14~1.5 mm ² (with ferrule) Accept cable diameter: 8~10mm (Black O-ring)	
ELM522-10	11120124	Screw connection	L-CODE	16A	63VDC	0.25~2.5 mm ² (without ferrule) 0.14~2.5 mm ² (with ferrule) Accept cable diameter: 8~10mm (Black O-ring)	
EKM522-10	11120125	Screw connection	K-CODE	16A	630VAC	0.25~2.5 mm ² (without ferrule) 0.14~2.5 mm ² (with ferrule) Accept cable diameter: 8~10mm (Black O-ring)	

* M12 Field wirable connector, Male, Plastic housing, metal coupling nut *

M8

M12

7/8"

M16

M23

CC-LINK

DeviceNet

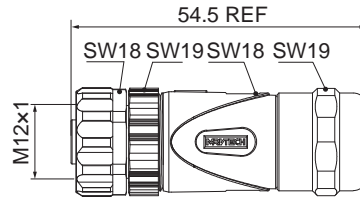
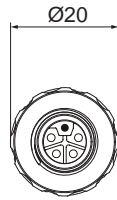
Profibus-DP

E-Net & P-Net

分支器 & 分线盒

阀式连接器

M12 Female, Field wirable connector, Metal housing



Technical data

- Housing material: Zinc/Nickel-plated
- Coupling nut: Zinc/Nickel-plated
- Contact carrier: PA66/Black
- Pin: Brass/Gold-plated
- O-ring: FPM/FKM
- Insulation resistance: $\geq 100M\Omega$
- Forward resistance: $\leq 5m\Omega$
- Degree of pollution: 3
- Ambient temperature: $-25\sim +85^{\circ}C$
- Degree of protection: IP67
- Plug: M12x1
- Coding: L/K-CODE
- Insertion/withdrawal cycles: ≥ 100
- Standards: IEC 61076-2-101
- Connection: Crimp connection

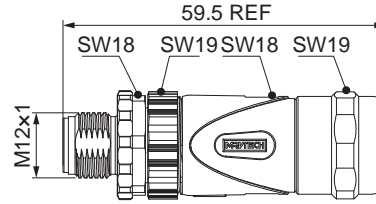
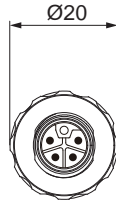
Key Commercial Data

- Packing unit: 1PCS/Bag
Small package (200x150x100) , Medium (330x250x150) , Large (400x300x230) mm

Type No.	ID No.	Connection	Coding	Current	Voltage	Wire gauge	Pinout
ELF528-13/C	11120107	Crimp connection	L-CODE	16A	63VDC	1.5~2.5 mm ² Accept cable diameter: 8~10mm (Black O-ring) 10~13mm (Gray O-ring)	
EKF528-13/C	11120108	Crimp connection	K-CODE	16A	630VAC	1.5~2.5 mm ² Accept cable diameter: 8~10mm (Black O-ring) 10~13mm (Gray O-ring)	

* M12 Field wirable connector, Male, Metal housing *

M12 Male, Field wirable connector, Metal housing



Technical data

- Housing material: Zinc/Nickel-plated
- Coupling nut: Zinc/Nickel-plated
- Contact carrier: PA66/Black
- Pin: Brass/Gold-plated
- O-ring: FPM/FKM
- Insulation resistance: $\geq 100M\Omega$
- Forward resistance: $\leq 5m\Omega$
- Degree of pollution: 3
- Ambient temperature: $-25\sim +85^{\circ}C$
- Degree of protection: IP67
- Plug: M12x1
- Coding: L/K-CODE
- Insertion/withdrawal cycles: ≥ 100
- Standards: IEC 61076-2-101
- Connection: Crimp connection

Key Commercial Data

- Packing unit: 1PCS/Bag
Small package (200x150x100) , Medium (330x250x150) , Large (400x300x230) mm

Type No.	ID No.	Connection	Coding	Current	Voltage	Wire gauge	Pinout
ELM528-13/C	11120109	Crimp connection	L-CODE	16A	63VDC	1.5~2.5 mm ² Accept cable diameter: 8~10mm (Black O-ring) 10~13mm (Gray O-ring)	
EKM528-13/C	11120110	Crimp connection	K-CODE	16A	630VAC	1.5~2.5 mm ² Accept cable diameter: 8~10mm (Black O-ring) 10~13mm (Gray O-ring)	

* M12 Field wirable connector, Male, Metal housing *

M8

M12

7/8"

M16

M23

分支器&分线盒

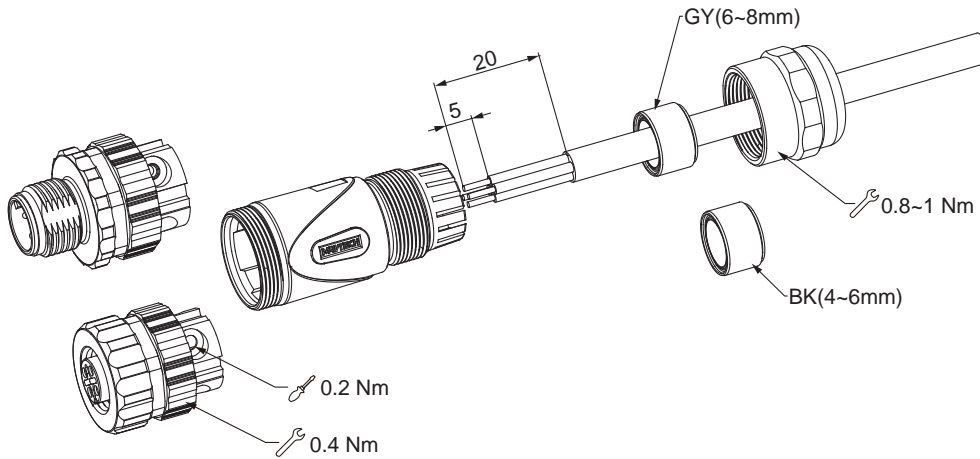
阀式连接器

E-Net & P-Net

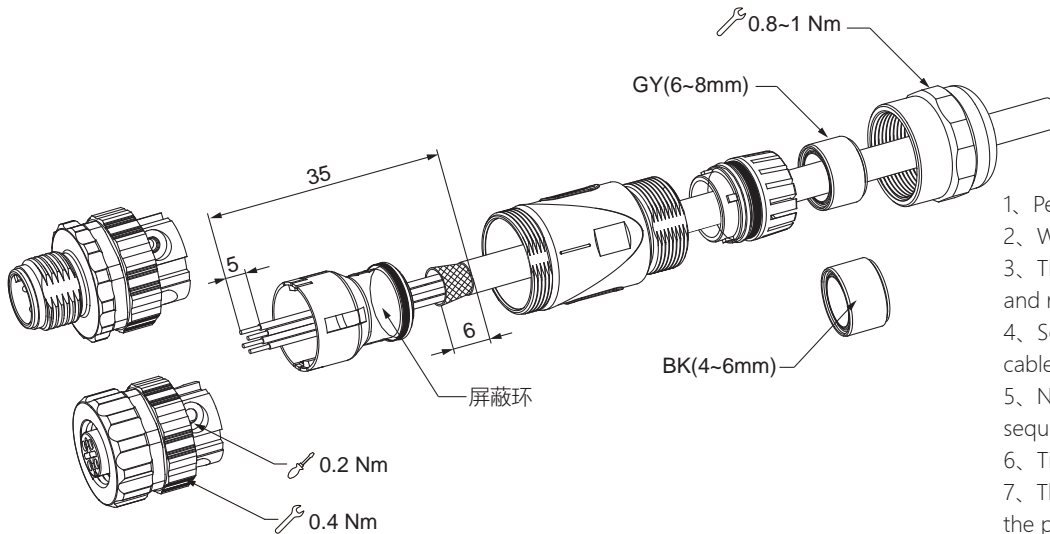
Profibus-DP

DeviceNet

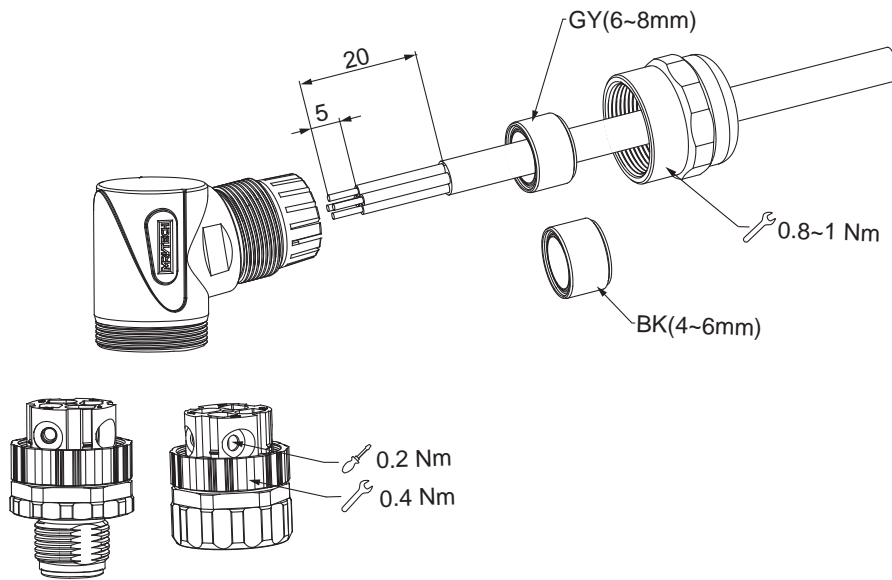
CC-LINK



1. Peel off the cable 20mm
2. Wire core insulating skin 5mm
3. Select sealing ring according to cable outer diameter
4. Nesting the components in sequence as shown in the diagram
5. Tighten the core and plug screw
6. Tighten the plug and housing
7. O-ring presses into the housing
8. Lock the tail nut



1. Peel off the cable 35mm
2. Wire core insulating skin 5mm
3. The shielding layer is spread out and retained in 6mm
4. Select sealing ring according to cable outer diameter
5. Nesting the components in sequence as shown in the diagram
6. Tighten the core and plug screw
7. The shield ring is connected with the plug corresponding to the card slot
8. The screen covers the screen ring pressing into the housing
9. Tighten the plug and housing
10. Tail O-ring presses into the housing
11. Lock the tail nut



- 1、 Peel off the cable 20mm
- 2、 Wire core insulating skin 5mm
- 3、 Select sealing ring according to cable outer diameter
- 4、 Nesting the components in sequence as shown in the diagram
- 5、 Tighten the core and plug screw
- 6、 Tighten the plug and housing
- 7、 O-ring presses into the housing
- 8、 Lock the tail nut

M8

M12

7/8"

M16

M23

阀式连接器

分支器&分线盒

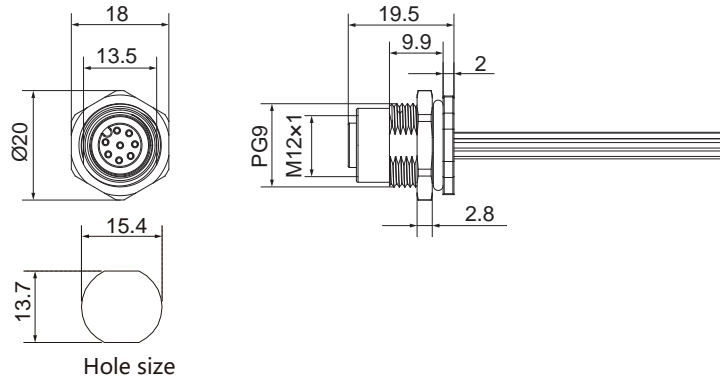
E-Net & P-Net

Profibus-DP

DeviceNet

CC-LINK

M12 Female, receptacle connector, rear mounting, with wire



Technical data

- Housing material: Zinc/Nickel-plated
- Coupling nut: Zinc/Nickel-plated
- Contact carrier: PA66/Black
- Pin: Brass/Gold-plated
- O-ring: FPM/FKM
- Insulation resistance: $\geq 100M\Omega$
- Forward resistance: $\leq 5m\Omega$
- Degree of pollution: 3
- Ambient temperature: $-25\sim +85^{\circ}C$
- Degree of protection: IP67
- Plug: M12x1
- Coding: A-CODE
- Insertion/withdrawal cycles: ≥ 100
- Standards: IEC 61076-2-101
- Torque: 3~4 Nm (mounting side)
- Cable: Refer to cable specification for detailed data

Key Commercial Data

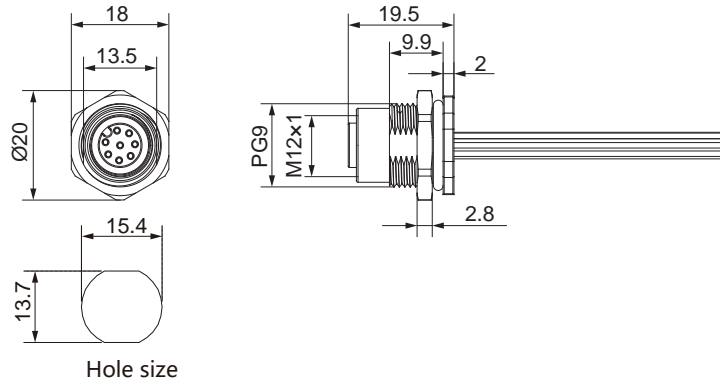
- Weight: 4Pin/17g; 5Pin/17.3g (excluding cable)
- Packing unit: 1PCS/Bag
Small package (200x150x100) , Medium (330x250x150) , Large (400x300x230) mm

Type No.	ID No.	Length	Mode	Coding	Current	Voltage	Wire gauge	Pinout	Wire colors
FEAF3R-0.5	12120000	0.5M	with wire	A-CODE	4A	250V	3x0.34 (3x22AWG)		1 = BN 2 = N/C 3 = BU 4 = BK
FEAF4R-0.5	12120001	0.5M	with wire	A-CODE	4A	250V	4x0.34 (4x22AWG)		1 = BN 2 = WH 3 = BU 4 = BK
FEAF4.5R-0.5	12120104	0.5M	with wire	A-CODE	4A	250V	5x0.34 (5x22AWG)		1 = BN 2 = WH 3 = BU 4 = BK 5 = GY
FEAF5R-0.5	12120002	0.5M	with wire	A-CODE	4A	250V	4x0.34+1x0.5 (4x22+1x20AWG)		1 = BN 2 = WH 3 = BU 4 = BK 5 = GN/YE

* M12 rear mount receptacle connector, with wire, Standard cable lengths are 0.5M, Consult factory for other lengths *

M12 A-code receptacle connector 6/8/12pins

M12 Female, receptacle connector, rear mounting, with wire



Technical data

- Housing material: Zinc/Nickel-plated
- Coupling nut: Zinc/Nickel-plated
- Contact carrier: PA66/Black
- Pin: Brass/Gold-plated
- O-ring: FPM/FKM
- Insulation resistance: $\geq 100M\Omega$
- Forward resistance: $\leq 5m\Omega$
- Degree of pollution: 3
- Ambient temperature: $-25\sim +85^{\circ}C$
- Degree of protection: IP67
- Plug: M12x1
- Coding: A-CODE
- Insertion/withdrawal cycles: ≥ 100
- Standards: IEC 61076-2-101
- Torque: 3~4 Nm (mounting side)
- Cable: Refer to cable specification for detailed data

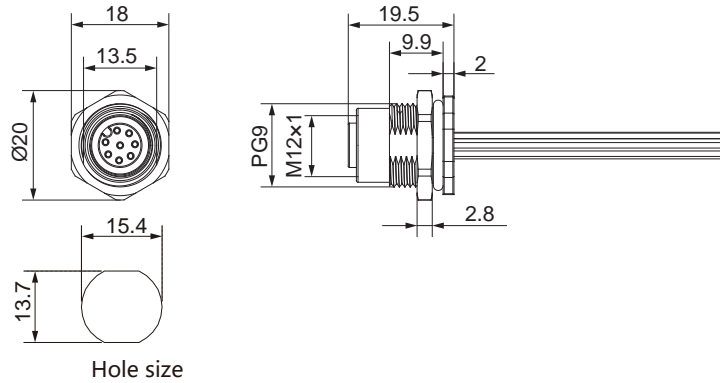
Key Commercial Data

- Weight: 8Pin/18g(excluding cable)
- Packing unit: 1PCS/Bag
Small package (200x150x100) , Medium (330x250x150) , Large (400x300x230) mm

Type No.	ID No.	Length	Mode	Coding	Current	Voltage	Wire gauge	Pinout	Wire colors
FEAF6R-0.5	12120003	0.5M	with wire	A-CODE	2A	60V	6x0.25 (6x24AWG)		1 = BN 2 = WH 3 = BU 4 = BK 5 = GY 6 = PK
FEAF8R-0.5	12120004	0.5M	with wire	A-CODE	2A	60V	8x0.25 (8x24AWG)		1 = WH 2 = BN 3 = GN 4 = YE 5 = GY 6 = PK 7 = BU 8 = RD
FEAF12R-0.5	12120005	0.5M	with wire	A-CODE	2A	30V	12x0.25 (12x24AWG)		1 = BN 2 = BU 3 = WH 4 = GN 5 = PK 6 = YE 7 = BK 8 = GY 9 = RD 10 = VT 11 = GY/PK 12 = RD/BU

* M12 rear mount receptacle connector, with wire, Standard cable lengths are 0.5M, Consult factory for other lengths *

M12 Female, receptacle connector, rear mounting, with wire



Technical data

- Housing material: Zinc/Nickel-plated
- Coupling nut: Zinc/Nickel-plated
- Contact carrier: PA66/Black
- Pin: Brass/Gold-plated
- O-ring: FPM/FKM
- Insulation resistance: $\geq 100M\Omega$
- Forward resistance: $\leq 5m\Omega$
- Degree of pollution: 3
- Ambient temperature: $-25\sim +85^{\circ}C$
- Degree of protection: IP67
- Plug: M12x1
- Coding: A-CODE
- Insertion/withdrawal cycles: ≥ 100
- Standards: IEC 61076-2-101
- Torque: 3~4 Nm (mounting side)
- Cable: Refer to cable specification for detailed data

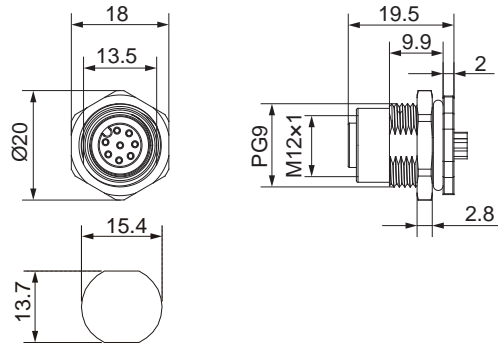
Key Commercial Data

- Weight: 8Pin/18g (excluding cable)
- Packing unit: 1PCS/Bag
Small package (200×150×100) , Medium (330×250×150) , Large (400×300×230) mm

Type No.	ID No.	Length	Mode	Coding	Current	Voltage	Wire gauge	Pinout	Wire colors
FEAF17R-0.5	12120006	0.5M	with wire	A-CODE	1.5A	30V	17×0.14 (17×26AWG)		1 = BN 2 = BU 3 = WH 4 = GN 5 = PK 6 = YE 7 = BK 8 = GY 9 = RD 10 = VT 11 = GY/PK 12 = RD/BU 13 = WH/GN 14 = BN/GN 15 = WH/YE 16 = YE/BN 17 = WH/GY

* M12 rear mount receptacle connector, with wire, Standard cable lengths are 0.5M, Consult factory for other lengths *

M12 Female, receptacle connector, rear mounting, solder cup



Hole size



Technical data

- Housing material: Zinc/Nickel-plated
- Coupling nut: Zinc/Nickel-plated
- Contact carrier: PA66/Black
- Pin: Brass/Gold-plated
- O-ring: FPM/FKM
- Insulation resistance: $\geq 100M\Omega$
- Forward resistance: $\leq 5m\Omega$
- Degree of pollution: 3
- Ambient temperature: $-25\sim +85^{\circ}C$
- Degree of protection: IP67
- Plug: M12x1
- Coding: A-CODE/B-CODE
- Insertion/withdrawal cycles: ≥ 100
- Standards: IEC 61076-2-101
- Torque: 3~4 Nm (mounting side)
- Connection mode: Solder cup

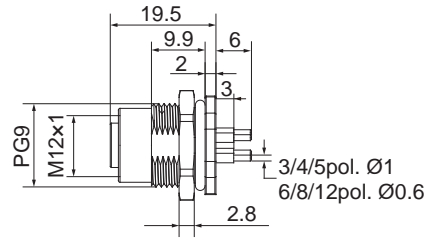
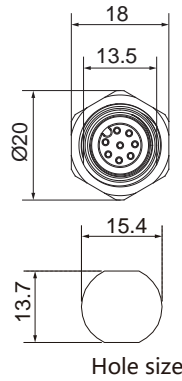
Key Commercial Data

- Weight: 4Pin/17.5g; 5Pin/18g; 8Pin/19.5g
- Packing unit: 1PCS/Bag
Small package (200x150x100) , Medium (330x250x150) , Large (400x300x230) mm

Type No.	ID No.	Mode	Coding	Current	Voltage	Wire gauge	Pinout
FEAF3R-L	12120040	Solder cup	A-CODE	4A	250V	Accept 0.5mm ² (20AWG) max	
FEAF4R-L	12120041	Solder cup	A-CODE	4A	250V	Accept 0.5mm ² (20AWG) max	
FEAF5R-L	12120042	Solder cup	A-CODE	4A	250V	Accept 0.5mm ² (20AWG) max	
FEAF6R-L	12120043	Solder cup	A-CODE	2A	60V	Accept 0.34mm ² (22AWG) max	
FEAF8R-L	12120044	Solder cup	A-CODE	2A	60V	Accept 0.34mm ² (22AWG) max	

* M12 rear mount receptacle connector *

M12 Female, receptacle connector, rear mounting, PCB pins one-piece



Technical data

- Housing material: Zinc/Nickel-plated
- Coupling nut: Zinc/Nickel-plated
- Contact carrier: PA66/Black
- Pin: Brass/Gold-plated
- O-ring: FPM/FKM
- Insulation resistance: $\geq 100M\Omega$
- Forward resistance: $\leq 5m\Omega$
- Degree of pollution: 3
- Ambient temperature: $-25\sim +85^{\circ}C$
- Degree of protection: IP67
- Plug: M12x1
- Coding: A-CODE/B-CODE
- Insertion/withdrawal cycles: ≥ 100
- Standards: IEC 61076-2-101
- Torque: 3~4 Nm (mounting side)
- Connection mode: PCB pins one-piece

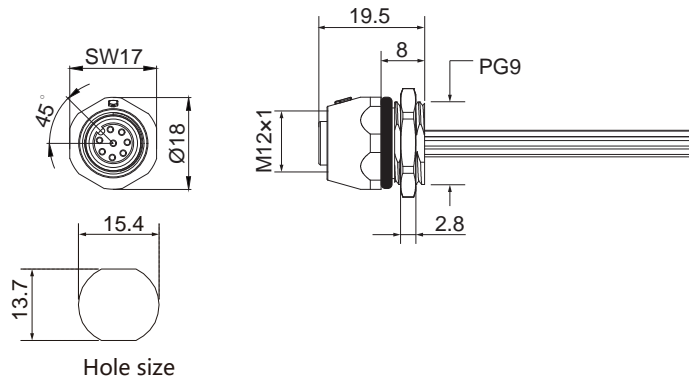
Key Commercial Data

- Weight: 4Pin/18.3g; 5Pin/19g; 8Pin/21.1g
- Packing unit: 1PCS/Bag
Small package (200x150x100) , Medium (330x250x150) , Large (400x300x230) mm

Type No.	ID No.	Mode	Coding	Current	Voltage	Pinout	PCB pin position																											
FEAF3R-P	12120070	PCB pins one-piece	A-CODE	4A	250V		<table border="1"> <thead> <tr> <th></th> <th>X</th> <th>Y</th> </tr> </thead> <tbody> <tr> <td>1</td> <td>-2.50</td> <td>0.00</td> </tr> <tr> <td>2</td> <td>N/C</td> <td>N/C</td> </tr> <tr> <td>3</td> <td>2.50</td> <td>0.00</td> </tr> <tr> <td>4</td> <td>0.00</td> <td>-2.50</td> </tr> </tbody> </table>		X	Y	1	-2.50	0.00	2	N/C	N/C	3	2.50	0.00	4	0.00	-2.50												
	X	Y																																
1	-2.50	0.00																																
2	N/C	N/C																																
3	2.50	0.00																																
4	0.00	-2.50																																
FEAF4R-P	12120071	PCB pins one-piece	A-CODE	4A	250V		<table border="1"> <thead> <tr> <th></th> <th>X</th> <th>Y</th> </tr> </thead> <tbody> <tr> <td>1</td> <td>-2.50</td> <td>0.00</td> </tr> <tr> <td>2</td> <td>0.00</td> <td>2.50</td> </tr> <tr> <td>3</td> <td>2.50</td> <td>0.00</td> </tr> <tr> <td>4</td> <td>0.00</td> <td>-2.50</td> </tr> </tbody> </table>		X	Y	1	-2.50	0.00	2	0.00	2.50	3	2.50	0.00	4	0.00	-2.50												
	X	Y																																
1	-2.50	0.00																																
2	0.00	2.50																																
3	2.50	0.00																																
4	0.00	-2.50																																
FEAF5R-P	12120072	PCB pins one-piece	A-CODE	4A	250V		<table border="1"> <thead> <tr> <th></th> <th>X</th> <th>Y</th> </tr> </thead> <tbody> <tr> <td>1</td> <td>-2.50</td> <td>0.00</td> </tr> <tr> <td>2</td> <td>0.00</td> <td>2.50</td> </tr> <tr> <td>3</td> <td>2.50</td> <td>0.00</td> </tr> <tr> <td>4</td> <td>0.00</td> <td>-2.50</td> </tr> <tr> <td>5</td> <td>0.00</td> <td>0.00</td> </tr> </tbody> </table>		X	Y	1	-2.50	0.00	2	0.00	2.50	3	2.50	0.00	4	0.00	-2.50	5	0.00	0.00									
	X	Y																																
1	-2.50	0.00																																
2	0.00	2.50																																
3	2.50	0.00																																
4	0.00	-2.50																																
5	0.00	0.00																																
FEAF8R-P	12120074	PCB pins one-piece	A-CODE	2A	60V		<table border="1"> <thead> <tr> <th></th> <th>X</th> <th>Y</th> </tr> </thead> <tbody> <tr> <td>1</td> <td>-2.69</td> <td>0.57</td> </tr> <tr> <td>2</td> <td>-0.57</td> <td>2.69</td> </tr> <tr> <td>3</td> <td>1.66</td> <td>2.20</td> </tr> <tr> <td>4</td> <td>2.75</td> <td>0.19</td> </tr> <tr> <td>5</td> <td>1.94</td> <td>-1.94</td> </tr> <tr> <td>6</td> <td>-0.19</td> <td>-2.75</td> </tr> <tr> <td>7</td> <td>-2.20</td> <td>-1.66</td> </tr> <tr> <td>8</td> <td>0.00</td> <td>0.00</td> </tr> </tbody> </table>		X	Y	1	-2.69	0.57	2	-0.57	2.69	3	1.66	2.20	4	2.75	0.19	5	1.94	-1.94	6	-0.19	-2.75	7	-2.20	-1.66	8	0.00	0.00
	X	Y																																
1	-2.69	0.57																																
2	-0.57	2.69																																
3	1.66	2.20																																
4	2.75	0.19																																
5	1.94	-1.94																																
6	-0.19	-2.75																																
7	-2.20	-1.66																																
8	0.00	0.00																																

* M12 rear mount receptacle connector, PCB pins one-piece *

M12 Female, receptacle connector, front mounting, with wire



Technical data

- Housing material: Zinc/Nickel-plated
- Coupling nut: Zinc/Nickel-plated
- Contact carrier: PA66/Black
- Pin: Brass/Gold-plated
- O-ring: FPM/FKM
- Insulation resistance: $\geq 100M\Omega$
- Forward resistance: $\leq 5m\Omega$
- Degree of pollution: 3
- Ambient temperature: $-25\sim +85^{\circ}C$
- Degree of protection: IP67
- Plug: M12x1
- Coding: A-CODE
- Insertion/withdrawal cycles: ≥ 100
- Standards: IEC 61076-2-101
- Torque: 3~4 Nm (mounting side)
- Cable: Refer to cable specification for detailed data

Key Commercial Data

- Weight: 4Pin/18.5g; 5Pin/18.9g (excluding cable)
- Packing unit: 1PCS/Bag
Small package (200x150x100) , Medium (330x250x150) , Large (400x300x230) mm

Type No.	ID No.	Length	Mode	Coding	Current	Voltage	Wire gauge	Pinout	Wire colors
FEAF3F-0.5	12120021	0.5M	with wire	A-CODE	4A	250V	3x0.34 (3x22AWG)		1 = BN 2 = N/C 3 = BU 4 = BK
FEAF4F-0.5	12120022	0.5M	with wire	A-CODE	4A	250V	4x0.34 (4x22AWG)		1 = BN 2 = WH 3 = BU 4 = BK
FEAF4.5F-0.5	12120105	0.5M	with wire	A-CODE	4A	250V	5x0.34 (5x22AWG)		1 = BN 2 = WH 3 = BU 4 = BK 5 = GY
FEAF5F-0.5	12120023	0.5M	with wire	A-CODE	4A	250V	4x0.34+1x0.5 (4x22+1x20AWG)		1 = BN 2 = WH 3 = BU 4 = BK 5 = GN/YE

* M12 front mount receptacle connector, with wire, Standard cable lengths are 0.5M, Consult factory for other lengths *

M8

M12

7/8"

M16

M23

CC-LINK

DeviceNet

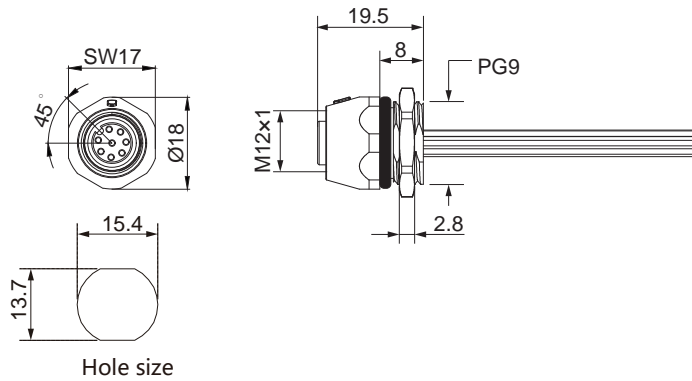
Profibus-DP

E-Net & P-Net

分支器&分线盒

阀式连接器

M12 Female, receptacle connector, front mounting, with wire



Technical data

- Housing material: Zinc/Nickel-plated
- Coupling nut: Zinc/Nickel-plated
- Contact carrier: PA66/Black
- Pin: Brass/Gold-plated
- O-ring: FPM/FKM
- Insulation resistance: $\geq 100M\Omega$
- Forward resistance: $\leq 5m\Omega$
- Degree of pollution: 3
- Ambient temperature: $-25\sim +85^{\circ}C$
- Degree of protection: IP67
- Plug: M12x1
- Coding: A-CODE
- Insertion/withdrawal cycles: ≥ 100
- Standards: IEC 61076-2-101
- Torque: 3~4 Nm (mounting side)
- Cable: Refer to cable specification for detailed data

Key Commercial Data

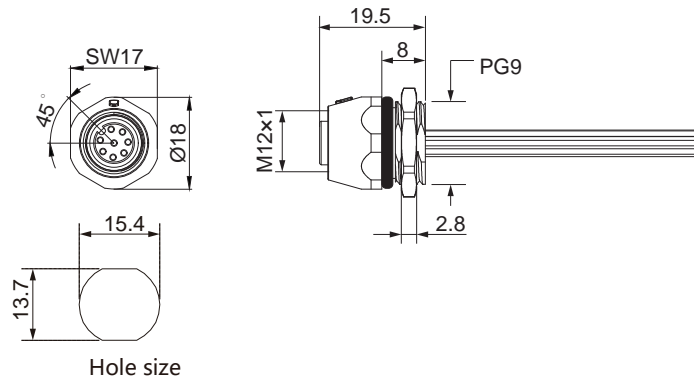
- Weight: 8Pin/19.2g (excluding cable)
- Packing unit: 1PCS/Bag
Small package (200x150x100) , Medium (330x250x150) , Large (400x300x230) mm

Type No.	ID No.	Length	Mode	Coding	Current	Voltage	Wire gauge	Pinout	Wire colors
FEAF6F-0.5	12120024	0.5M	with wire	A-CODE	2A	60V	6x0.25 (6x24AWG)		1 = BN 2 = WH 3 = BU 4 = BK 5 = GY 6 = PK
FEAF8F-0.5	12120025	0.5M	with wire	A-CODE	2A	60V	8x0.25 (8x24AWG)		1 = WH 2 = BN 3 = GN 4 = YE 5 = GY 6 = PK 7 = BU 8 = RD
FEAF12F-0.5	12120026	0.5M	with wire	A-CODE	2A	30V	12x0.25 (12x24AWG)		1 = BN 2 = BU 3 = WH 4 = GN 5 = PK 6 = YE 7 = BK 8 = GY 9 = RD 10 = VT 11 = GY/PK 12 = RD/BU

* M12 front mount receptacle connector, with wire, Standard cable lengths are 0.5M, Consult factory for other lengths *

M12 A-code receptacle connector 17pins

M12 Female, receptacle connector, front mounting, with wire



Technical data

- Housing material: Zinc/Nickel-plated
- Coupling nut: Zinc/Nickel-plated
- Contact carrier: PA66/Black
- Pin: Brass/Gold-plated
- O-ring: FPM/FKM
- Insulation resistance: $\geq 100M\Omega$
- Forward resistance: $\leq 5m\Omega$
- Degree of pollution: 3
- Ambient temperature: $-25\sim +85^{\circ}C$
- Degree of protection: IP67
- Plug: M12x1
- Coding: A-CODE
- Insertion/withdrawal cycles: ≥ 100
- Standards: IEC 61076-2-101
- Torque: 3~4 Nm (mounting side)
- Cable: Refer to cable specification for detailed data

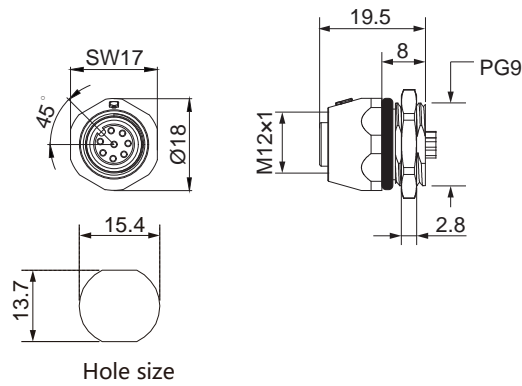
Key Commercial Data

- Packing unit: 1PCS/Bag
Small package (200x150x100) , Medium (330x250x150) , Large (400x300x230) mm

Type No.	ID No.	Length	Mode	Coding	Current	Voltage	Wire gauge	Pinout	Wire colors
FEAF17F-0.5	12120132	0.5M	with wire	A-CODE	1.5A	30V	17x0.14 (17x26AWG)		1 = BN 2 = BU 3 = WH 4 = GN 5 = PK 6 = YE 7 = BK 8 = GY 9 = RD 10 = VT 11 = GY/PK 12 = RD/BU 13 = WH/GN 14 = BN/GN 15 = WH/YE 16 = YE/BN 17 = WH/GY

* M12 front mount receptacle connector, with wire, Standard cable lengths are 0.5M, Consult factory for other lengths *

M12 Female, receptacle connector, front mounting, solder cup



Technical data

- Housing material: Zinc/Nickel-plated
- Coupling nut: Zinc/Nickel-plated
- Contact carrier: PA66/Black
- Pin: Brass/Gold-plated
- O-ring: FPM/FKM
- Insulation resistance: $\geq 100M\Omega$
- Forward resistance: $\leq 5m\Omega$
- Degree of pollution: 3
- Ambient temperature: $-25\sim +85^{\circ}C$
- Degree of protection: IP67
- Plug: M12x1
- Coding: A-CODE
- Insertion/withdrawal cycles: ≥ 100
- Standards: IEC 61076-2-101
- Torque: 3~4 Nm (mounting side)
- Connection mode: Solder cup

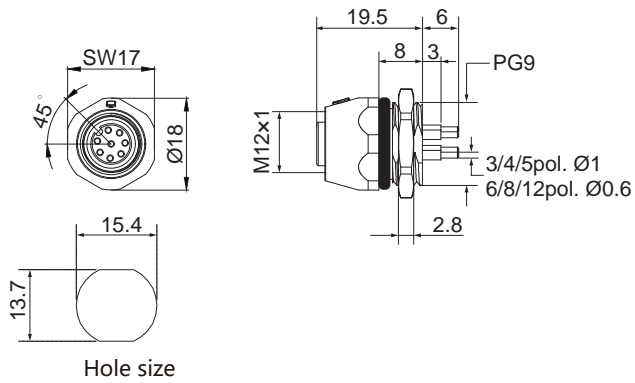
Key Commercial Data

- Weight: 4Pin/19.3g;5Pin/19.9g; 8Pin/20.8g
- Packing unit: 1PCS/Bag
Small package (200x150x100) , Medium (330x250x150) , Large (400x300x230) mm

Type No.	ID No.	Mode	Coding	Current	Voltage	Wire gauge	Pinout
FEAF3F-L	12120055	Solder cup	A-CODE	4A	250V	Accept 0.5mm ² (20AWG) max	
FEAF4F-L	12120056	Solder cup	A-CODE	4A	250V	Accept 0.5mm ² (20AWG) max	
FEAF5F-L	12120057	Solder cup	A-CODE	4A	250V	Accept 0.5mm ² (20AWG) max	
FEAF6F-L	12120058	Solder cup	A-CODE	2A	60V	Accept 0.34mm ² (22AWG) max	
FEAF8F-L	12120059	Solder cup	A-CODE	2A	60V	Accept 0.34mm ² (22AWG) max	

* M12 front mount receptacle connector, solder up *

M12 Female, receptacle connector, front mounting, PCB pins one-piece



Technical data

- Housing material: Zinc/Nickel-plated
- Coupling nut: Zinc/Nickel-plated
- Contact carrier: PA66/Black
- Pin: Brass/Gold-plated
- O-ring: FPM/FKM
- Insulation resistance: $\geq 100M\Omega$
- Forward resistance: $\leq 5m\Omega$
- Degree of pollution: 3
- Ambient temperature: $-25\sim +85^{\circ}C$
- Degree of protection: IP67
- Plug: M12x1
- Coding: A-CODE
- Insertion/withdrawal cycles: ≥ 100
- Standards: IEC 61076-2-101
- Torque: 3~4 Nm (mounting side)
- Connection mode: PCB pins one-piece

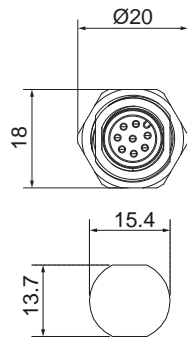
Key Commercial Data

- Weight: 4Pin/20.1g; 5Pin/20.9g; 8Pin/22.4g
- Packing unit: 1PCS/Bag
Small package (200x150x100), Medium (330x250x150), Large (400x300x230) mm

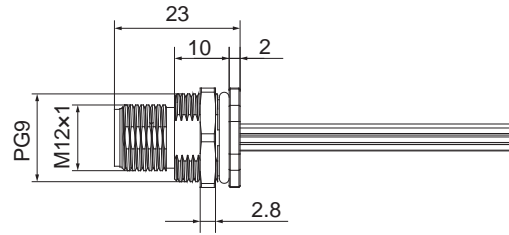
Type No.	ID No.	Mode	Coding	Current	Voltage	Wire gauge	Pinout																											
FEAF3F-P	12120080	PCB pins one-piece	A-CODE	4A	250V		<table border="1"> <thead> <tr> <th></th> <th>X</th> <th>Y</th> </tr> </thead> <tbody> <tr> <td>1</td> <td>-2.50</td> <td>0.00</td> </tr> <tr> <td>2</td> <td>N/C</td> <td>N/C</td> </tr> <tr> <td>3</td> <td>2.50</td> <td>0.00</td> </tr> <tr> <td>4</td> <td>0.00</td> <td>-2.50</td> </tr> </tbody> </table>		X	Y	1	-2.50	0.00	2	N/C	N/C	3	2.50	0.00	4	0.00	-2.50												
	X	Y																																
1	-2.50	0.00																																
2	N/C	N/C																																
3	2.50	0.00																																
4	0.00	-2.50																																
FEAF4F-P	12120081	PCB pins one-piece	A-CODE	4A	250V		<table border="1"> <thead> <tr> <th></th> <th>X</th> <th>Y</th> </tr> </thead> <tbody> <tr> <td>1</td> <td>-2.50</td> <td>0.00</td> </tr> <tr> <td>2</td> <td>0.00</td> <td>2.50</td> </tr> <tr> <td>3</td> <td>2.50</td> <td>0.00</td> </tr> <tr> <td>4</td> <td>0.00</td> <td>-2.50</td> </tr> </tbody> </table>		X	Y	1	-2.50	0.00	2	0.00	2.50	3	2.50	0.00	4	0.00	-2.50												
	X	Y																																
1	-2.50	0.00																																
2	0.00	2.50																																
3	2.50	0.00																																
4	0.00	-2.50																																
FEAF5F-P	12120082	PCB pins one-piece	A-CODE	4A	250V		<table border="1"> <thead> <tr> <th></th> <th>X</th> <th>Y</th> </tr> </thead> <tbody> <tr> <td>1</td> <td>-2.50</td> <td>0.00</td> </tr> <tr> <td>2</td> <td>0.00</td> <td>2.50</td> </tr> <tr> <td>3</td> <td>2.50</td> <td>0.00</td> </tr> <tr> <td>4</td> <td>0.00</td> <td>-2.50</td> </tr> <tr> <td>5</td> <td>0.00</td> <td>0.00</td> </tr> </tbody> </table>		X	Y	1	-2.50	0.00	2	0.00	2.50	3	2.50	0.00	4	0.00	-2.50	5	0.00	0.00									
	X	Y																																
1	-2.50	0.00																																
2	0.00	2.50																																
3	2.50	0.00																																
4	0.00	-2.50																																
5	0.00	0.00																																
FEAF8F-P	12120084	PCB pins one-piece	A-CODE	2A	60V		<table border="1"> <thead> <tr> <th></th> <th>X</th> <th>Y</th> </tr> </thead> <tbody> <tr> <td>1</td> <td>-2.69</td> <td>0.57</td> </tr> <tr> <td>2</td> <td>-0.57</td> <td>2.69</td> </tr> <tr> <td>3</td> <td>1.66</td> <td>2.20</td> </tr> <tr> <td>4</td> <td>2.75</td> <td>0.19</td> </tr> <tr> <td>5</td> <td>1.94</td> <td>-1.94</td> </tr> <tr> <td>6</td> <td>-0.19</td> <td>-2.75</td> </tr> <tr> <td>7</td> <td>-2.20</td> <td>-1.66</td> </tr> <tr> <td>8</td> <td>0.00</td> <td>0.00</td> </tr> </tbody> </table>		X	Y	1	-2.69	0.57	2	-0.57	2.69	3	1.66	2.20	4	2.75	0.19	5	1.94	-1.94	6	-0.19	-2.75	7	-2.20	-1.66	8	0.00	0.00
	X	Y																																
1	-2.69	0.57																																
2	-0.57	2.69																																
3	1.66	2.20																																
4	2.75	0.19																																
5	1.94	-1.94																																
6	-0.19	-2.75																																
7	-2.20	-1.66																																
8	0.00	0.00																																

* M12 front mount receptacle connector, PCB pins one-piece *

M12 Male, receptacle connector, rear mounting, with wire



Hole size



Technical data

- Housing material: Zinc/Nickel-plated
- Coupling nut: Zinc/Nickel-plated
- Contact carrier: PA66/Black
- Pin: Brass/Gold-plated
- O-ring: FPM/FKM
- Insulation resistance: $\geq 100M\Omega$
- Forward resistance: $\leq 5m\Omega$
- Degree of pollution: 3
- Ambient temperature: $-25\sim +85^{\circ}C$
- Degree of protection: IP67
- Plug: M12x1
- Coding: A-CODE
- Insertion/withdrawal cycles: ≥ 100
- Standards: IEC 61076-2-101
- Torque: 3~4 Nm (mounting side)
- Cable: Refer to cable specification for detailed data

Key Commercial Data

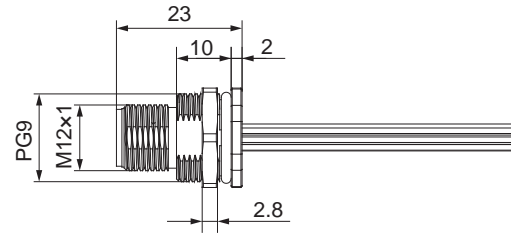
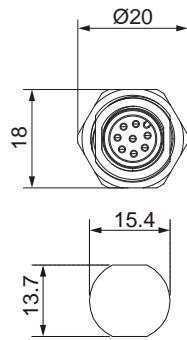
- Weight: 4Pin/17g; 5Pin/17.3g (excluding cable)
- Packing unit: 1PCS/Bag
Small package (200x150x100) , Medium (330x250x150) , Large (400x300x230) mm

Type No.	ID No.	Length	Mode	Coding	Current	Voltage	Wire gauge	Pinout	Wire colors
FEAM3R-0.5	12120007	0.5M	with wire	A-CODE	4A	250V	3x0.34 (3x22AWG)		1 = BN 2 = N/C 3 = BU 4 = BK
FEAM4R-0.5	12120008	0.5M	with wire	A-CODE	4A	250V	4x0.34 (4x22AWG)		1 = BN 2 = WH 3 = BU 4 = BK
FEAM4.5R-0.5	12120106	0.5M	with wire	A-CODE	4A	250V	5x0.34 (5x22AWG)		1 = BN 2 = WH 3 = BU 4 = BK 5 = GY
FEAM5R-0.5	12120009	0.5M	with wire	A-CODE	4A	250V	4x0.34+1x0.5 (4x22+1x20AWG)		1 = BN 2 = WH 3 = BU 4 = BK 5 = GN/YE

* M12 rear mount receptacle connector, with wire, Standard cable lengths are 0.5M, Consult factory for other lengths *

M12 A-code receptacle connector 6/8/12pins

M12 Male, receptacle connector, rear mounting, with wire



Hole size



Technical data

- Housing material: Zinc/Nickel-plated
- Coupling nut: Zinc/Nickel-plated
- Contact carrier: PA66/Black
- Pin: Brass/Gold-plated
- O-ring: FPM/FKM
- Insulation resistance: $\geq 100M\Omega$
- Forward resistance: $\leq 5m\Omega$
- Degree of pollution: 3
- Ambient temperature: $-25\sim +85^{\circ}C$
- Degree of protection: IP67
- Plug: M12x1
- Coding: A-CODE
- Insertion/withdrawal cycles: ≥ 100
- Standards: IEC 61076-2-101
- Torque: 3~4 Nm (mounting side)
- Cable: Refer to cable specification for detailed data

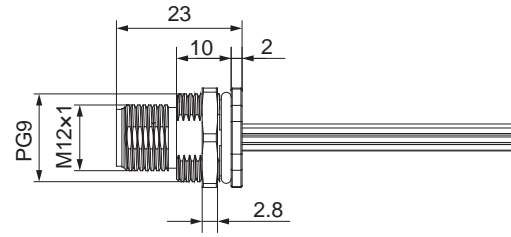
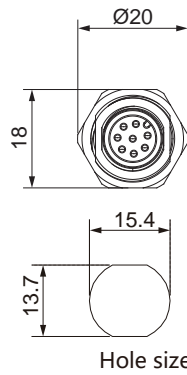
Key Commercial Data

- Weight: 8Pin/18.2g(excluding cable)
- Packing unit: 1PCS/Bag
- Small package (200x150x100) , Medium (330x250x150) , Large (400x300x230) mm

Type No.	ID No.	Length	Mode	Coding	Current	Voltage	Wire gauge	Pinout	Wire colors
FEAM6R-0.5	12120010	0.5M	with wire	A-CODE	2A	60V	6x0.25 (6x24AWG)		1 = BN 2 = WH 3 = BU 4 = BK 5 = GY 6 = PK
FEAM8R-0.5	12120011	0.5M	with wire	A-CODE	2A	60V	8x0.25 (8x24AWG)		1 = WH 2 = BN 3 = GN 4 = YE 5 = GY 6 = PK 7 = BU 8 = RD
FEAM12R-0.5	12120012	0.5M	with wire	A-CODE	2A	30V	12x0.25 (12x24AWG)		1 = BN 2 = BU 3 = WH 4 = GN 5 = PK 6 = YE 7 = BK 8 = GY 9 = RD 10 = VT 11 = GY/PK 12 = RD/BU

* M12 rear mount receptacle connector, with wire, Standard cable lengths are 0.5M, Consult factory for other lengths *

M12 Male, receptacle connector, rear mounting, with wire



Technical data

- Housing material: Zinc/Nickel-plated
- Coupling nut: Zinc/Nickel-plated
- Contact carrier: PA66/Black
- Pin: Brass/Gold-plated
- O-ring: FPM/FKM
- Insulation resistance: $\geq 100M\Omega$
- Forward resistance: $\leq 5m\Omega$
- Degree of pollution: 3
- Ambient temperature: $-25\sim +85^{\circ}C$
- Degree of protection: IP67
- Plug: M12x1
- Coding: A-CODE
- Insertion/withdrawal cycles: ≥ 100
- Standards: IEC 61076-2-101
- Torque: 3~4 Nm (mounting side)
- Cable: Refer to cable specification for detailed data

Key Commercial Data

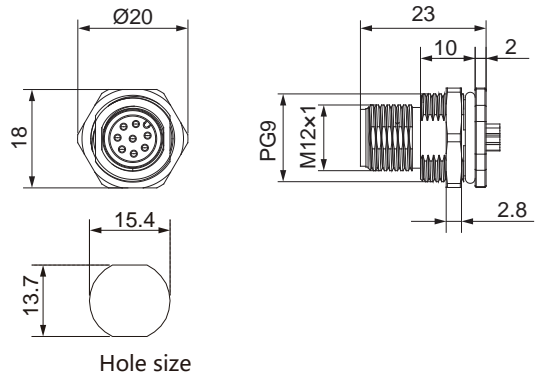
- Packing unit: 1PCS/Bag
Small package (200x150x100) , Medium (330x250x150) , Large (400x300x230) mm

Type No.	ID No.	Length	Mode	Coding	Current	Voltage	Wire gauge	Pinout	Wire colors
FEAM17R-0.5	12120013	0.5M	with wire	A-CODE	1.5A	30V	17x0.14 (17x26AWG)		1 = BN 2 = BU 3 = WH 4 = GN 5 = PK 6 = YE 7 = BK 8 = GY 9 = RD 10 = VT 11 = GY/PK 12 = RD/BU 13 = WH/GN 14 = BN/GN 15 = WH/YE 16 = YE/BN 17 = WH/GY

* M12 rear mount receptacle connector, with wire, Standard cable lengths are 0.5M, Consult factory for other lengths *

M12 A-code receptacle connector 3/4/5/6/8pins

M12 Male, receptacle connector, rear mounting, solder cup



Technical data

- Housing material: Zinc/Nickel-plated
- Coupling nut: Zinc/Nickel-plated
- Contact carrier: PA66/Black
- Pin: Brass/Gold-plated
- O-ring: FPM/FKM
- Insulation resistance: $\geq 100M\Omega$
- Forward resistance: $\leq 5m\Omega$
- Degree of pollution: 3
- Ambient temperature: $-25\sim +85^{\circ}C$
- Degree of protection: IP67
- Plug: M12x1
- Coding: A-CODE
- Insertion/withdrawal cycles: ≥ 100
- Standards: IEC 61076-2-101
- Torque: 3~4 Nm (mounting side)
- Connection mode: Solder cup

Key Commercial Data

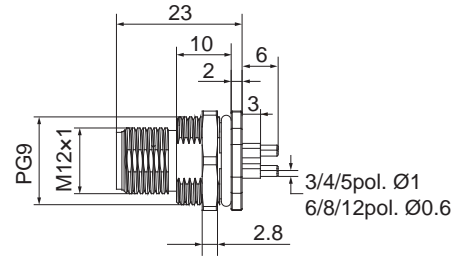
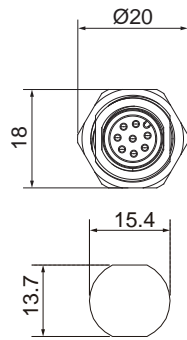
- Weight: 4Pin/17.8g;5Pin/18.3g; 8Pin/19.8g
- Packing unit: 1PCS/Bag
Small package (200x150x100) , Medium (330x250x150) , Large (400x300x230) mm

Type No.	ID No.	Mode	Coding	Current	Voltage	Wire gauge	Pinout
FEAM3R-L	12120045	Solder cup	A-CODE	4A	250V	Accept 0.5mm ² (20AWG) max	
FEAM4R-L	12120046	Solder cup	A-CODE	4A	250V	Accept 0.5mm ² (20AWG) max	
FEAM5R-L	12120047	Solder cup	A-CODE	4A	250V	Accept 0.5mm ² (20AWG) max	
FEAM6R-L	12120048	Solder cup	A-CODE	2A	60V	Accept 0.34mm ² (22AWG) max	
FEAM8R-L	12120049	Solder cup	A-CODE	2A	60V	Accept 0.34mm ² (22AWG) max	

* M12 rear mount receptacle connector, solder cup *

M12, 7/8", M16, M23, CC-LINK, DeviceNet, Profibus-DP, E-Net & P-Net, 分支器&分线盒, 阀式连接器

M12 Male, receptacle connector, rear mounting, PCB pins one-piece



Hole size



Technical data

- Housing material: Zinc/Nickel-plated
- Coupling nut: Zinc/Nickel-plated
- Contact carrier: PA66/Black
- Pin: Brass/Gold-plated
- O-ring: FPM/FKM
- Insulation resistance: $\geq 100M\Omega$
- Forward resistance: $\leq 5m\Omega$
- Degree of pollution: 3
- Ambient temperature: $-25\sim +85^{\circ}C$
- Degree of protection: IP67
- Plug: M12×1
- Coding: A-CODE
- Insertion/withdrawal cycles: ≥ 100
- Standards: IEC 61076-2-101
- Torque: 3~4 Nm (mounting side)
- Connection mode: PCB pins one-piece

Key Commercial Data

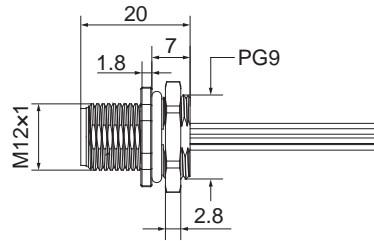
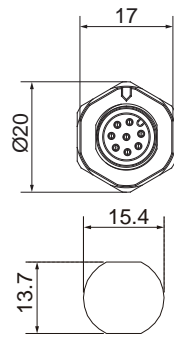
- Weight: 4Pin/18.6g; 5Pin/19.3g; 8Pin/21.4g
- Packing unit: 1PCS/Bag
Small package (200×150×100) , Medium (330×250×150) , Large (400×300×230) mm

Type No.	ID No.	Mode	Coding	Current	Voltage	Pinout	PCB pin position																											
FEAM3R-P	12120075	PCB pins one-piece	A-CODE	4A	250V		<table border="1"> <thead> <tr> <th></th> <th>X</th> <th>Y</th> </tr> </thead> <tbody> <tr> <td>1</td> <td>2.50</td> <td>0.00</td> </tr> <tr> <td>2</td> <td>N/C</td> <td>N/C</td> </tr> <tr> <td>3</td> <td>-2.50</td> <td>0.00</td> </tr> <tr> <td>4</td> <td>0.00</td> <td>-2.50</td> </tr> </tbody> </table>		X	Y	1	2.50	0.00	2	N/C	N/C	3	-2.50	0.00	4	0.00	-2.50												
	X	Y																																
1	2.50	0.00																																
2	N/C	N/C																																
3	-2.50	0.00																																
4	0.00	-2.50																																
FEAM4R-P	12120076	PCB pins one-piece	A-CODE	4A	250V		<table border="1"> <thead> <tr> <th></th> <th>X</th> <th>Y</th> </tr> </thead> <tbody> <tr> <td>1</td> <td>2.50</td> <td>0.00</td> </tr> <tr> <td>2</td> <td>0.00</td> <td>2.50</td> </tr> <tr> <td>3</td> <td>-2.50</td> <td>0.00</td> </tr> <tr> <td>4</td> <td>0.00</td> <td>-2.50</td> </tr> </tbody> </table>		X	Y	1	2.50	0.00	2	0.00	2.50	3	-2.50	0.00	4	0.00	-2.50												
	X	Y																																
1	2.50	0.00																																
2	0.00	2.50																																
3	-2.50	0.00																																
4	0.00	-2.50																																
FEAM5R-P	12120077	PCB pins one-piece	A-CODE	4A	250V		<table border="1"> <thead> <tr> <th></th> <th>X</th> <th>Y</th> </tr> </thead> <tbody> <tr> <td>1</td> <td>2.50</td> <td>0.00</td> </tr> <tr> <td>2</td> <td>0.00</td> <td>2.50</td> </tr> <tr> <td>3</td> <td>-2.50</td> <td>0.00</td> </tr> <tr> <td>4</td> <td>0.00</td> <td>-2.50</td> </tr> <tr> <td>5</td> <td>0.00</td> <td>0.00</td> </tr> </tbody> </table>		X	Y	1	2.50	0.00	2	0.00	2.50	3	-2.50	0.00	4	0.00	-2.50	5	0.00	0.00									
	X	Y																																
1	2.50	0.00																																
2	0.00	2.50																																
3	-2.50	0.00																																
4	0.00	-2.50																																
5	0.00	0.00																																
FEAM8R-P	12120079	PCB pins one-piece	A-CODE	2A	60V		<table border="1"> <thead> <tr> <th></th> <th>X</th> <th>Y</th> </tr> </thead> <tbody> <tr> <td>1</td> <td>2.69</td> <td>0.57</td> </tr> <tr> <td>2</td> <td>0.57</td> <td>2.69</td> </tr> <tr> <td>3</td> <td>-1.66</td> <td>2.20</td> </tr> <tr> <td>4</td> <td>-2.75</td> <td>0.19</td> </tr> <tr> <td>5</td> <td>-1.94</td> <td>-1.94</td> </tr> <tr> <td>6</td> <td>0.19</td> <td>-2.75</td> </tr> <tr> <td>7</td> <td>2.20</td> <td>-1.66</td> </tr> <tr> <td>8</td> <td>0.00</td> <td>0.00</td> </tr> </tbody> </table>		X	Y	1	2.69	0.57	2	0.57	2.69	3	-1.66	2.20	4	-2.75	0.19	5	-1.94	-1.94	6	0.19	-2.75	7	2.20	-1.66	8	0.00	0.00
	X	Y																																
1	2.69	0.57																																
2	0.57	2.69																																
3	-1.66	2.20																																
4	-2.75	0.19																																
5	-1.94	-1.94																																
6	0.19	-2.75																																
7	2.20	-1.66																																
8	0.00	0.00																																

* M12 rear mount receptacle connector, PCB pins one-piece *

M12 A-code receptacle connector 3/4/4.5/5pins

M12 Male, receptacle connector, front mounting, with wire



Hole size

Technical data

- Housing material: Zinc/Nickel-plated
- Coupling nut: Zinc/Nickel-plated
- Contact carrier: PA66/Black
- Pin: Brass/Gold-plated
- O-ring: FPM/FKM
- Insulation resistance: $\geq 100M\Omega$
- Forward resistance: $\leq 5m\Omega$
- Degree of pollution: 3
- Ambient temperature: $-25\sim +85^{\circ}C$
- Degree of protection: IP67
- Plug: M12x1
- Coding: A-CODE
- Insertion/withdrawal cycles: ≥ 100
- Standards: IEC 61076-2-101
- Torque: 3~4 Nm (mounting side)
- Cable: Refer to cable specification for detailed data

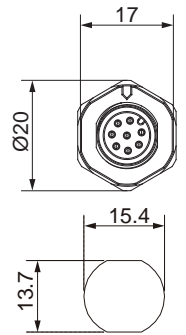
Key Commercial Data

- Weight: 4Pin/16.5g; 5Pin/16.8g (excluding cable)
- Packing unit: 1PCS/Bag
Small package (200x150x100), Medium (330x250x150), Large (400x300x230) mm

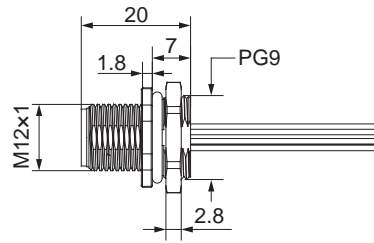
Type No.	ID No.	Length	Mode	Coding	Current	Voltage	Wire gauge	Pinout	Wire colors
FEAM3F-0.5	12120033	0.5M	with wire	A-CODE	4A	250V	3x0.34 (3x22AWG)		1 = BN 2 = N/C 3 = BU 4 = BK
FEAM4F-0.5	12120034	0.5M	with wire	A-CODE	4A	250V	4x0.34 (4x22AWG)		1 = BN 2 = WH 3 = BU 4 = BK
FEAM4.5F-0.5	12120107	0.5M	with wire	A-CODE	4A	250V	5x0.34 (5x22AWG)		1 = BN 2 = WH 3 = BU 4 = BK 5 = GY
FEAM5F-0.5	12120035	0.5M	with wire	A-CODE	4A	250V	4x0.34+1x0.5 (4x22+1x20AWG)		1 = BN 2 = WH 3 = BU 4 = BK 5 = GN/YE

* M12 front mount receptacle connector, with wire, Standard cable lengths are 0.5M, Consult factory for other lengths *

M12 Male, receptacle connector, front mounting, with wire



Hole size



Technical data

- Housing material: Zinc/Nickel-plated
- Coupling nut: Zinc/Nickel-plated
- Contact carrier: PA66/Black
- Pin: Brass/Gold-plated
- O-ring: FPM/FKM
- Insulation resistance: $\geq 100M\Omega$
- Forward resistance: $\leq 5m\Omega$
- Degree of pollution: 3
- Ambient temperature: $-25\sim +85^{\circ}C$
- Degree of protection: IP67
- Plug: M12x1
- Coding: A-CODE
- Insertion/withdrawal cycles: ≥ 100
- Standards: IEC 61076-2-101
- Torque: 3~4 Nm (mounting side)
- Cable: Refer to cable specification for detailed data

Key Commercial Data

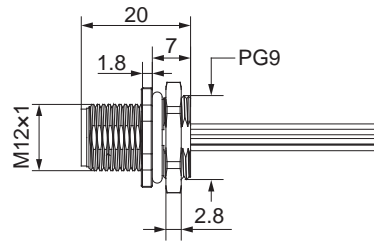
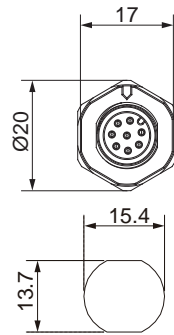
- Packing unit: 1PCS/Bag
Small package (200×150×100) , Medium (330×250×150) , Large (400×300×230) mm

Type No.	ID No.	Length	Mode	Coding	Current	Voltage	Wire gauge	Pinout	Wire colors
FEAM6F-0.5	12120036	0.5M	with wire	A-CODE	2A	60V	6×0.25 (6×24AWG)		1 = BN 2 = WH 3 = BU 4 = BK 5 = GY 6 = PK
FEAM8F-0.5	12120037	0.5M	with wire	A-CODE	2A	60V	8×0.25 (8×24AWG)		1 = WH 2 = BN 3 = GN 4 = YE 5 = GY 6 = PK 7 = BU 8 = RD
FEAM12F-0.5	12120038	0.5M	with wire	A-CODE	2A	30V	12×0.25 (12×24AWG)		1 = BN 2 = BU 3 = WH 4 = GN 5 = PK 6 = YE 7 = BK 8 = GY 9 = RD 10 = VT 11 = GY/PK 12 = RD/BU

* M12 front mount receptacle connector, with wire, Standard cable lengths are 0.5M, Consult factory for other lengths *

M12 A-code receptacle connector 17pins

M12 Male, receptacle connector, front mounting, with wire



Hole size

Technical data

- Housing material: Zinc/Nickel-plated
- Coupling nut: Zinc/Nickel-plated
- Contact carrier: PA66/Black
- Pin: Brass/Gold-plated
- O-ring: FPM/FKM
- Insulation resistance: $\geq 100M\Omega$
- Forward resistance: $\leq 5m\Omega$
- Degree of pollution: 3
- Ambient temperature: $-25\sim +85^{\circ}C$
- Degree of protection: IP67
- Plug: M12x1
- Coding: A-CODE
- Insertion/withdrawal cycles: ≥ 100
- Standards: IEC 61076-2-101
- Torque: 3~4 Nm (mounting side)
- Cable: Refer to cable specification for detailed data

Key Commercial Data

- Packing unit: 1PCS/Bag
Small package (200×150×100) , Medium (330×250×150) , Large (400×300×230) mm

Type No.	ID No.	Length	Mode	Coding	Current	Voltage	Wire gauge	Pinout	Wire colors
FEAM17F-0.5	12120039	0.5M	with wire	A-CODE	1.5A	30V	17×0.14 (17×26AWG)		1 = BN 2 = BU 3 = WH 4 = GN 5 = PK 6 = YE 7 = BK 8 = GY 9 = RD 10 = VT 11 = GY/PK 12 = RD/BU 13 = WH/GN 14 = BN/GN 15 = WH/YE 16 = YE/BN 17 = WH/GY

* M12 front mount receptacle connector, with wire, Standard cable lengths are 0.5M, Consult factory for other lengths *

M8

M12

7/8"

M16

M23

CC-LINK

DeviceNet

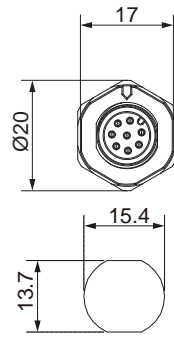
Profibus-DP

E-Net & P-Net

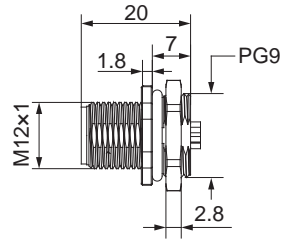
分支器&分线盒

阀式连接器

M12 Male, receptacle connector, front mounting, solder cup



Hole size



Technical data

- Housing material: Zinc/Nickel-plated
- Coupling nut: Zinc/Nickel-plated
- Contact carrier: PA66/Black
- Pin: Brass/Gold-plated
- O-ring: FPM/FKM
- Insulation resistance: $\geq 100M\Omega$
- Forward resistance: $\leq 5m\Omega$
- Degree of pollution: 3
- Ambient temperature: $-25\sim +85^{\circ}C$
- Degree of protection: IP67
- Plug: M12x1
- Coding: A-CODE
- Insertion/withdrawal cycles: ≥ 100
- Standards: IEC 61076-2-101
- Torque: 3~4 Nm (mounting side)
- Connection mode: Solder cup

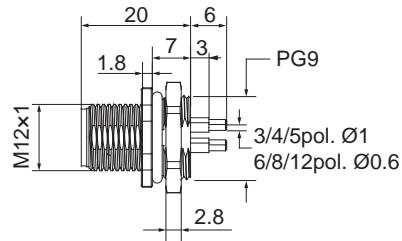
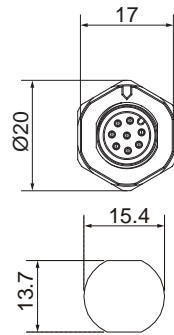
Key Commercial Data

- Weight: 4Pin/17.3g; 5Pin/17.8g; 8Pin/19.4g
- Packing unit: 1PCS/Bag
Small package (200x150x100) , Medium (330x250x150) , Large (400x300x230) mm

Type No.	ID No.	Mode	Coding	Current	Voltage	Wire gauge	Pinout
FEAM3F-L	12120065	Solder cup	A-CODE	4A	250V	Accept 0.5mm ² (20AWG) max	
FEAM4F-L	12120066	Solder cup	A-CODE	4A	250V	Accept 0.5mm ² (20AWG) max	
FEAM5F-L	12120067	Solder cup	A-CODE	4A	250V	Accept 0.5mm ² (20AWG) max	
FEAM6F-L	12120068	Solder cup	A-CODE	2A	60V	Accept 0.34mm ² (22AWG) max	
FEAM8F-L	12120069	Solder cup	A-CODE	2A	60V	Accept 0.34mm ² (22AWG) max	

* M12 front mount receptacle connector, solder up *

M12 Male, receptacle connector, front mounting, PCB pins one-piece



Hole size



Technical data

- Housing material: Zinc/Nickel-plated
- Coupling nut: Zinc/Nickel-plated
- Contact carrier: PA66/Black
- Pin: Brass/Gold-plated
- O-ring: FPM/FKM
- Insulation resistance: $\geq 100M\Omega$
- Forward resistance: $\leq 5m\Omega$
- Degree of pollution: 3
- Ambient temperature: $-25\sim +85^{\circ}C$
- Degree of protection: IP67
- Plug: M12x1
- Coding: A-CODE
- Insertion/withdrawal cycles: ≥ 100
- Standards: IEC 61076-2-101
- Torque: 3~4 Nm (mounting side)
- Connection mode: PCB pins one-piece

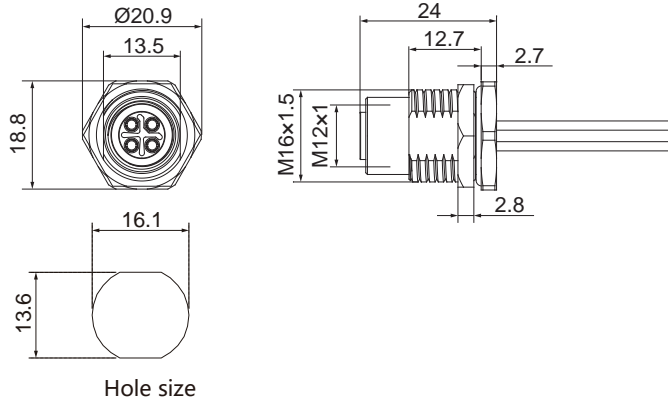
Key Commercial Data

- Weight: 4Pin/18.1g; 5Pin/18.5g; 8Pin/20.9g
- Packing unit: 1PCS/Bag
Small package (200x150x100), Medium (330x250x150), Large (400x300x230) mm

Type No.	ID No.	Mode	Coding	Current	Voltage	Wire gauge	Pinout																											
FEAM3F-P	12120085	PCB pins one-piece	A-CODE	4A	250V		<table border="1"> <thead> <tr> <th></th> <th>X</th> <th>Y</th> </tr> </thead> <tbody> <tr> <td>1</td> <td>2.50</td> <td>0.00</td> </tr> <tr> <td>2</td> <td>N/C</td> <td>N/C</td> </tr> <tr> <td>3</td> <td>-2.50</td> <td>0.00</td> </tr> <tr> <td>4</td> <td>0.00</td> <td>-2.50</td> </tr> </tbody> </table>		X	Y	1	2.50	0.00	2	N/C	N/C	3	-2.50	0.00	4	0.00	-2.50												
	X	Y																																
1	2.50	0.00																																
2	N/C	N/C																																
3	-2.50	0.00																																
4	0.00	-2.50																																
FEAM4F-P	12120086	PCB pins one-piece	A-CODE	4A	250V		<table border="1"> <thead> <tr> <th></th> <th>X</th> <th>Y</th> </tr> </thead> <tbody> <tr> <td>1</td> <td>2.50</td> <td>0.00</td> </tr> <tr> <td>2</td> <td>0.00</td> <td>2.50</td> </tr> <tr> <td>3</td> <td>-2.50</td> <td>0.00</td> </tr> <tr> <td>4</td> <td>0.00</td> <td>-2.50</td> </tr> </tbody> </table>		X	Y	1	2.50	0.00	2	0.00	2.50	3	-2.50	0.00	4	0.00	-2.50												
	X	Y																																
1	2.50	0.00																																
2	0.00	2.50																																
3	-2.50	0.00																																
4	0.00	-2.50																																
FEAM5F-P	12120087	PCB pins one-piece	A-CODE	4A	250V		<table border="1"> <thead> <tr> <th></th> <th>X</th> <th>Y</th> </tr> </thead> <tbody> <tr> <td>1</td> <td>2.50</td> <td>0.00</td> </tr> <tr> <td>2</td> <td>0.00</td> <td>2.50</td> </tr> <tr> <td>3</td> <td>-2.50</td> <td>0.00</td> </tr> <tr> <td>4</td> <td>0.00</td> <td>-2.50</td> </tr> <tr> <td>5</td> <td>0.00</td> <td>0.00</td> </tr> </tbody> </table>		X	Y	1	2.50	0.00	2	0.00	2.50	3	-2.50	0.00	4	0.00	-2.50	5	0.00	0.00									
	X	Y																																
1	2.50	0.00																																
2	0.00	2.50																																
3	-2.50	0.00																																
4	0.00	-2.50																																
5	0.00	0.00																																
FEAM8F-P	12120089	PCB pins one-piece	A-CODE	2A	60V		<table border="1"> <thead> <tr> <th></th> <th>X</th> <th>Y</th> </tr> </thead> <tbody> <tr> <td>1</td> <td>2.69</td> <td>0.57</td> </tr> <tr> <td>2</td> <td>0.57</td> <td>2.69</td> </tr> <tr> <td>3</td> <td>-1.66</td> <td>2.20</td> </tr> <tr> <td>4</td> <td>-2.75</td> <td>0.19</td> </tr> <tr> <td>5</td> <td>-1.94</td> <td>-1.94</td> </tr> <tr> <td>6</td> <td>0.19</td> <td>-2.75</td> </tr> <tr> <td>7</td> <td>2.20</td> <td>-1.66</td> </tr> <tr> <td>8</td> <td>0.00</td> <td>0.00</td> </tr> </tbody> </table>		X	Y	1	2.69	0.57	2	0.57	2.69	3	-1.66	2.20	4	-2.75	0.19	5	-1.94	-1.94	6	0.19	-2.75	7	2.20	-1.66	8	0.00	0.00
	X	Y																																
1	2.69	0.57																																
2	0.57	2.69																																
3	-1.66	2.20																																
4	-2.75	0.19																																
5	-1.94	-1.94																																
6	0.19	-2.75																																
7	2.20	-1.66																																
8	0.00	0.00																																

* M12 front mount receptacle connector, PCB pins one-piece *

M12 Female, receptacle connector, rear mounting, with wire, M16 mounting thread



Technical data

- Housing material: Brass/Nickel-plated
- Coupling nut: Brass/Nickel-plated
- Contact carrier: PA66/Black
- Pin: Brass/Gold-plated
- O-ring: FPM/FKM
- Insulation resistance: $\geq 100M\Omega$
- Forward resistance: $\leq 5m\Omega$
- Degree of pollution: 3
- Ambient temperature: $-25\sim +85^{\circ}C$
- Degree of protection: IP67
- Plug: M12x1
- Coding: T/S/L/K-CODE
- Insertion/withdrawal cycles: ≥ 100
- Standards: IEC 61076-2-101
- Torque: 3~4 Nm (mounting side)
- Cable: Refer to cable specification for detailed data

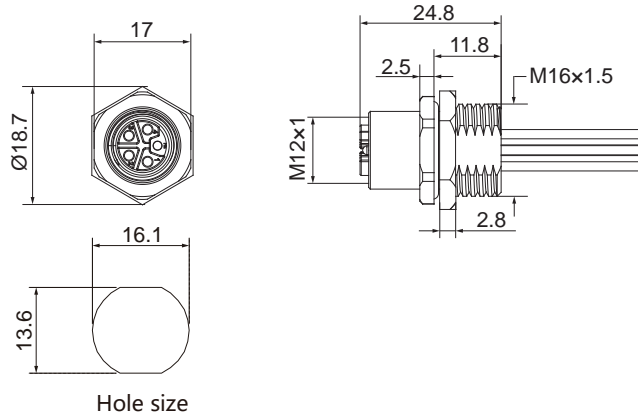
Key Commercial Data

- Packing unit: 10PCS/Bag
Small package (200x150x100) , Medium (330x250x150) , Large (400x300x230) mm

Type No.	ID No.	Length	Mode	Coding	Current	Voltage	Wire gauge	Pinout	Wire colors
FETF4R-0.5/M16	12120133	0.5M	with wire	T-CODE	12A	63VDC	4x1.5 (4x16AWG)		1 = BN 2 = WH 3 = BU 4 = BK
FESF4R-0.5/M16	12120134	0.5M	with wire	S-CODE	12A	630VAV	4G1.5 (4G16AWG)		1 = BK1 2 = BK2 3 = BK3 4 = GN/YE
FELF5R-0.5/M16	12120141	0.5M	with wire	L-CODE	12A	63VDC	5x2.5 (5x14AWG)		1 = BN 2 = WH 3 = BU 4 = BK 5 = GY
FEKF5R-0.5/M16	12120142	0.5M	with wire	K-CODE	16A	630VAV	5G2.5 (5G14AWG)		1 = BK1 2 = BK2 3 = BK3 4 = BK4 5 = GN/YE

* M12 rear mount receptacle connector, with wire, Standard cable lengths are 0.5M, Consult factory for other lengths *

M12 Female, receptacle connector, front mounting, with wire, M16 mounting thread



Technical data

- Housing material: Brass/Nickel-plated
- Coupling nut: Brass/Nickel-plated
- Contact carrier: PA66/Black
- Pin: Brass/Gold-plated
- O-ring: FPM/FKM
- Insulation resistance: $\geq 100M\Omega$
- Forward resistance: $\leq 5m\Omega$
- Degree of pollution: 3
- Ambient temperature: $-25\sim +85^{\circ}C$
- Degree of protection: IP67
- Plug: M12x1
- Coding: T/S/L/K-CODE
- Insertion/withdrawal cycles: ≥ 100
- Standards: IEC 61076-2-101
- Torque: 3~4 Nm (mounting side)
- Cable: Refer to cable specification for detailed data

Key Commercial Data

- Packing unit: 10PCS/Bag
Small package (200x150x100) , Medium (330x250x150) , Large (400x300x230) mm

Type No.	ID No.	Length	Mode	Coding	Current	Voltage	Wire gauge	Pinout	Wire colors
FETF4F-0.5/M16	12120135	0.5M	with wire	T-CODE	12A	63VDC	4x1.5 (4x16AWG)		1 = BN 2 = WH 3 = BU 4 = BK
FESF4F-0.5/M16	12120136	0.5M	with wire	S-CODE	12A	630VAV	4G1.5 (4G16AWG)		1 = BK1 2 = BK2 3 = BK3 4 = GN/YE
FELF5F-0.5/M16	12120143	0.5M	with wire	L-CODE	16A	63VDC	5x2.5 (5x14AWG)		1 = BN 2 = WH 3 = BU 4 = BK 5 = GY
FEKF5F-0.5/M16	12120144	0.5M	with wire	K-CODE	16A	630VAV	5G2.5 (5G14AWG)		1 = BK1 2 = BK2 3 = BK3 4 = BK4 5 = GN/YE

* M12 front mount receptacle connector, with wire, Standard cable lengths are 0.5M, Consult factory for other lengths *

M8

M12

7/8"

M16

M23

CC-LINK

DeviceNet

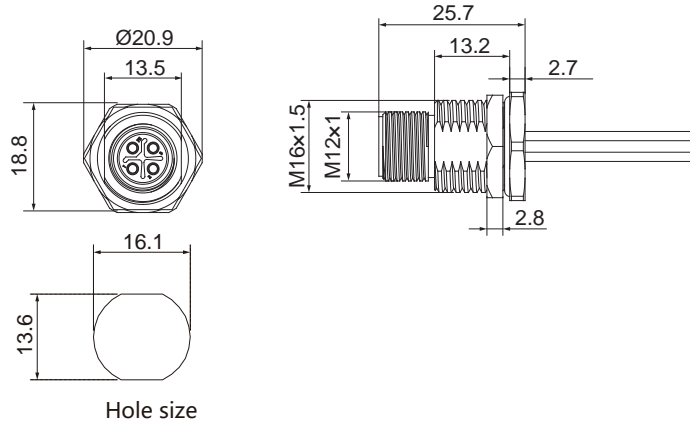
Profibus-DP

E-Net & P-Net

分支器及分线盒

阀式连接器

M12 Male, receptacle connector, rear mounting, with wire, M16 mounting thread



Technical data

- Housing material: Brass/Nickel-plated
- Coupling nut: Brass/Nickel-plated
- Contact carrier: PA66/Black
- Pin: Brass/Gold-plated
- O-ring: FPM/FKM
- Insulation resistance: $\geq 100M\Omega$
- Forward resistance: $\leq 5m\Omega$
- Degree of pollution: 3
- Ambient temperature: $-25\sim +85^{\circ}C$
- Degree of protection: IP67
- Plug: M12x1
- Coding: T/S/L/K-CODE
- Insertion/withdrawal cycles: ≥ 100
- Standards: IEC 61076-2-101
- Torque: 3~4 Nm (mounting side)
- Cable: Refer to cable specification for detailed data

Key Commercial Data

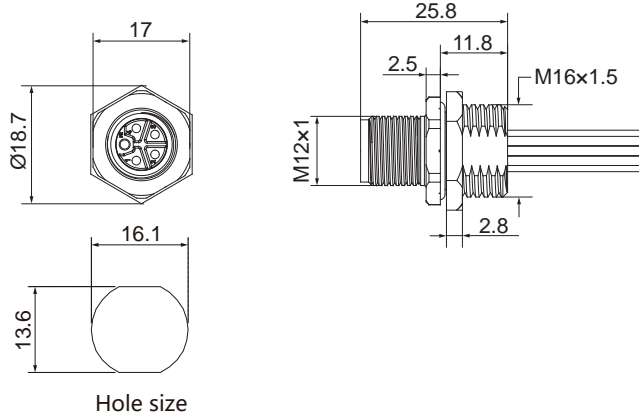
- Weight: 4Pin/17g;5Pin/17.3g (excluding cable)
- Packing unit: 1PCS/Bag
Small package (200x150x100) , Medium (330x250x150) , Large (400x300x230) mm

Type No.	ID No.	Length	Mode	Coding	Current	Voltage	Wire gauge	Pinout	Wire colors
FETM4R-0.5/M16	12120137	0.5M	with wire	T-CODE	12A	63VDC	4x1.5 (4x16AWG)		1 = BN 2 = WH 3 = BU 4 = BK
FESM4R-0.5/M16	12120138	0.5M	with wire	S-CODE	12A	630VAV	4G1.5 (4G16AWG)		1 = BK1 2 = BK2 3 = BK3 4 = GN/YE
FELM5R-0.5/M16	12120145	0.5M	with wire	L-CODE	16A	63VDC	5x2.5 (5x14AWG)		1 = BN 2 = WH 3 = BU 4 = BK 5 = GY
FEKM5R-0.5/M16	12120146	0.5M	with wire	K-CODE	16A	630VAV	5G2.5 (5G14AWG)		1 = BK1 2 = BK2 3 = BK3 4 = BK4 5 = GN/YE

* M12 rear mount receptacle connector, with wire, Standard cable lengths are 0.5M, Consult factory for other lengths *

M12 T/S/L/K-code receptacle connector 4/5pins

M12 Male, receptacle connector, front mounting, with wire, M16 mounting thread



Technical data

- Housing material: Brass/Nickel-plated
- Coupling nut: Brass/Nickel-plated
- Contact carrier: PA66/Black
- Pin: Brass/Gold-plated
- O-ring: FPM/FKM
- Insulation resistance: $\geq 100M\Omega$
- Forward resistance: $\leq 5m\Omega$
- Degree of pollution: 3
- Ambient temperature: $-25\sim +85^{\circ}C$
- Degree of protection: IP67
- Plug: M12x1
- Coding: T/S/L/K-CODE
- Insertion/withdrawal cycles: ≥ 100
- Standards: IEC 61076-2-101
- Torque: 3~4 Nm (mounting side)
- Cable: Refer to cable specification for detailed data

Key Commercial Data

- Packing unit: 10PCS/Bag
- Small package (200x150x100) , Medium (330x250x150) , Large (400x300x230) mm

Type No.	ID No.	Length	Mode	Coding	Current	Voltage	Wire gauge	Pinout	Wire colors
FETM4F-0.5/M16	12120139	0.5M	with wire	T-CODE	12A	63VDC	4x1.5 (4x16AWG)		1 = BN 2 = WH 3 = BU 4 = BK
FESM4F-0.5/M16	12120140	0.5M	with wire	S-CODE	12A	630VAV	4G1.5 (4G16AWG)		1 = BK1 2 = BK2 3 = BK3 4 = GN/YE
FELM5F-0.5/M16	12120147	0.5M	with wire	L-CODE	16A	63VDC	5x2.5 (5x14AWG)		2 = WH 3 = BU 4 = BK 5 = GY
FEKM5F-0.5/M16	12120148	0.5M	with wire	K-CODE	16A	630VAV	5G2.5 (5G14AWG)		1 = BK1 2 = BK2 3 = BK3 4 = BK4 5 = GN/YE

* M12 front mount receptacle connector, with wire, Standard cable lengths are 0.5M, Consult factory for other lengths *

M8

M12

7/8"

M16

M23

CC-LINK

DeviceNet

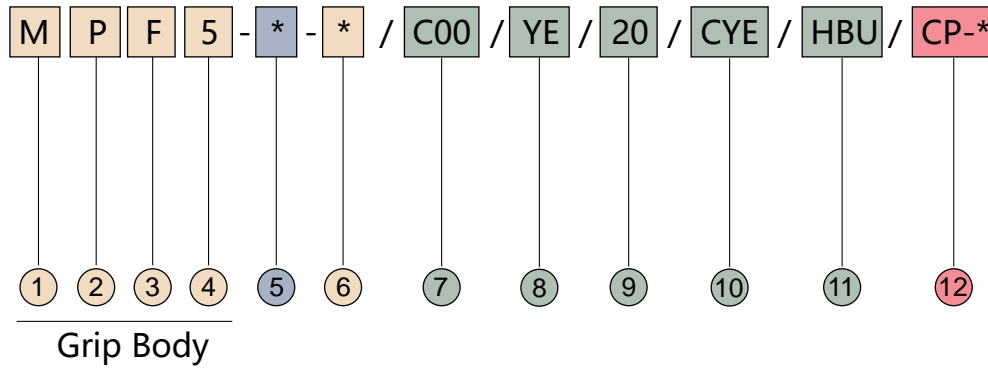
E-Net & P-Net

分支器 & 分线盒

Profibus-DP

阀门连接器

7/8" -16UN CONNECTOR



- ① M = 7/8" , Straight
MW = 7/8" , Right angle
- ② Blank = Zinc die-cast, nickel-plated
V = Stainless steel nut
P = Plastic nut
- ③ M = Male
F = Female
- ④ Number of pins
Contact distribution
- ⑤ Length(M)
Can be customized
With 0.1M as increment
The shortest length is 0.2M.
- ⑥ Blank = Single-ended
Double-ended = part number key refer to "Grip Body"
- ⑦ Reference cable code
- ⑧ Color of cable
Blank = Standard color
Customized cable color
YE = Yellow
GY = Gray
- ⑨ Wire gauge
Blank = Standard wire gauge
Customized wire gauge
24 24AWG: 0.25 mm²
22 22AWG: 0.34 mm²
....
- ⑩ Color of connector core
Blank = Standard color (Black)
Customized connector core color
CYE Yellow connector core
CBU Blue connector core
- ⑪ Color of plug body
Blank = Standard color (Yellow)
Customized plug body color
HBK Black
HBU Blue
- ⑫ Customized products
* = Customized code

M8

M12

7/8"

M16

M23

阀式连接器

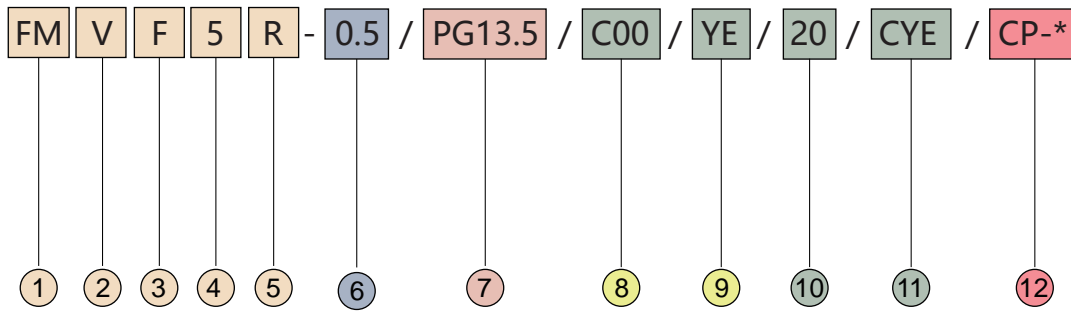
分支器&分线盒

E-Net & P-Net

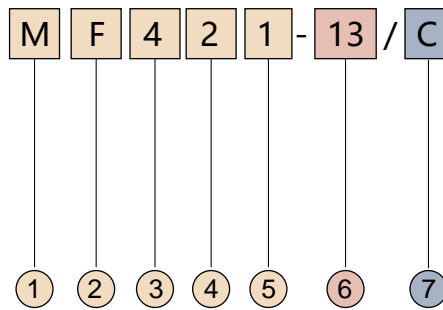
Profibus-DP

DeviceNet

CC-LINK



- ① 7/8" Receptacle connector
- ② Blank = Zinc die-cast, nickel-plated
V = Stainless steel nut
P = Plastic nut
- ③ M = Male
F = Female
- ④ Number of pins
- ⑤ R = Rear mounting
F = Front mounting
- ⑥ Cable Length(M)
0.5 = Cable length 0.5M
Can be customized
L = Solder cup
P = PCB pins one-piece
- ⑦ Mounting thread
Blank = M20×1.5
M30 = M30×1.5
PG13.5 = PG13.5
14.5NPT = 1/2-14NPT
14.5NPSM = 1/2-14NPSM
- ⑧ Reference cable code
Blank = Non Pre-moulding connector
- ⑨ Color of cable jacket
Blank = Standard color
Item 9 can only be defined when item 8 is selected
- ⑩ Wire gauge
Blank = Standard wire gauge
Customized wire gauge
24 24AWG: 0.25 mm²
22 22AWG: 0.34 mm²
....
- ⑫ Color of contact carrier
Blank = Standard color (Black)
CYE = Yellow contact carrier
CBU = Blue contact carrier
- ⑬ Customized products
* = Customized code



- ① M = 7/8" , Straight
MW = 7/8" , Right angle
- ② M = Male
F = Female
- ③ Number of pins
Contact distribution
- ④ 1 = Ag plated brass
2 = Au plated brass
- ⑤ Housing material
1 = Plastic housing, Anodized
cast aluminium nut (black)
2 = Plastic housing, stainless
steel coupling nut
3 = Plastic housing, Die cast zinc nut
- ⑥ Cable Installation Dimensions
13 = 6~13 mm
(Acceptable cable diameter 6-13 mm)
18 = 13~18 mm
(Acceptable cable diameter 13-18 mm)
- ⑦ Connection cable
Blank = Screw connection
C = Crimp connection
L = Solder connection
P = Piercecon connection
S = Spring clamp connection
IDC = Insulation displacement contact

M8

M12

7/8"

M16

M23

阀式连接器

分支器&分线盒

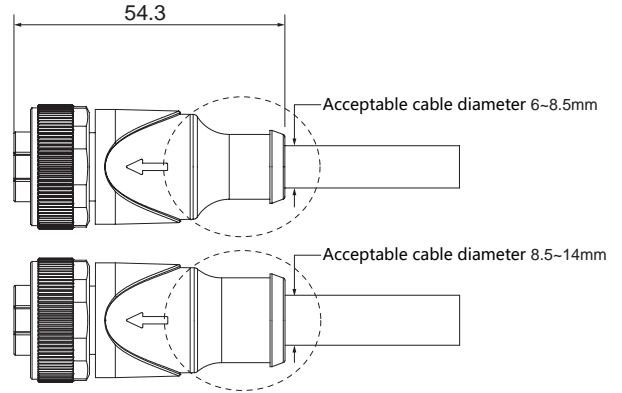
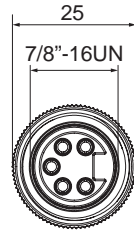
E-Net & P-Net

Profibus-DP

DeviceNet

CC-LINK

7/8" Female, Pre-moulding connector



Technical data

- Plug body: TPU/Yellow
- Coupling nut: Zinc/Nickel-plated
- Contact carrier: TPU+GF/Black
- Pin: Brass/Gold-plated
- O-ring: FPM/FKM
- Insulation resistance: $\geq 100M\Omega$
- Forward resistance: $\leq 5m\Omega$
- Degree of pollution: 3
- Ambient temperature: $-25\sim +85^{\circ}C$
- Degree of protection: IP67
- Plug: 7/8"-16UN
- Insertion/withdrawal cycles: ≥ 100
- Torque: 1.5 Nm (7/8 Plug connector)
- Cable: Refer to cable specification for detailed data

Key Commercial Data

- Packing unit: 2M/10PCS/Bag, 5M/5PCS/Bag, 10M/1PCS/Bag
- Small package (200×150×100), Medium (330×250×150), Large (400×300×230) mm

Type No.	ID No.	Length	Angle	Current	Voltage	Wire gauge	Pinout	Wire colors
MF3-2/C00	10250000	2M	Straight	9A	600V	3×1.5 (3×16AWG) Black PVC, OD=8.0 No.: 19800177		1 = GN/YE 2 = BN 3 = BU
MF3-5/C00	10250011	5M						
MF3-10/C00	10250012	10M						
MF4-2/C00	10250013	2M	Straight	9A	600V	4×1.5 (4×16AWG) Black PVC, OD=8.0 No.: 19800178		1 = BK 2 = BU 3 = BN 4 = WH
MF4-5/C00	10250014	5M						
MF4-10/C00	10250015	10M						
MF5-2/C00	10250016	2M	Straight	9A	600V	5×1.5 (5×16AWG) Black PVC, OD=8.6 No.: 19800179		1 = BK 2 = BU 3 = GN/YE 4 = BN 5 = WH
MF5-5/C00	10250017	5M						
MF5-10/C00	10250018	10M						
MF6-2/C00	10250019	2M	Straight	9A	600V	6×1.5 (6×16AWG) Black PVC, OD=13 No.: 19800180		1 = WH 2 = RD 3 = GN 4 = OR 5 = BK 6 = BU
MF6-5/C00	10250020	5M						
MF6-10/C00	10250021	10M						

* 7/8"-16UN pre-moulding connector, Standard cable lengths are 2/5/10M, Consult factory for other lengths. *

M8

M12

7/8"

M16

M23

分支器 & 分线盒 阀式连接器

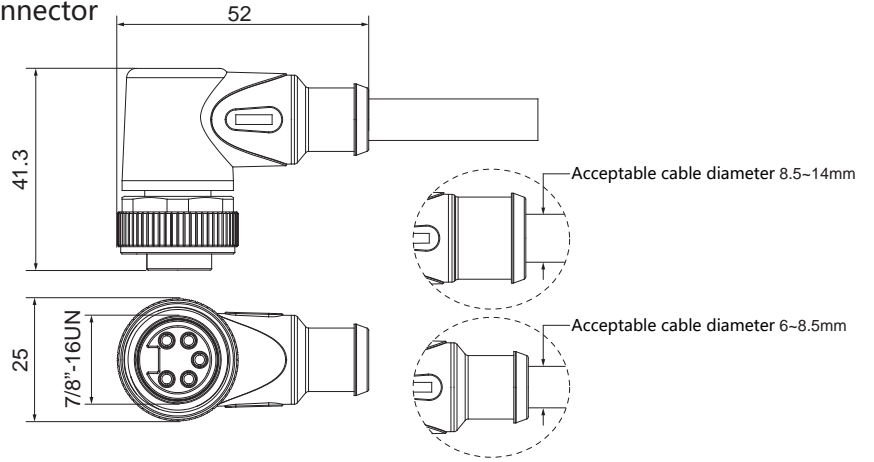
E-Net & P-Net

Profibus-DP

DeviceNet

CC-LINK

7/8" Right angle Female, Pre-moulding connector



Technical data

- Plug body: TPU/Yellow
- Coupling nut: Zinc/Nickel-plated
- Contact carrier: TPU+GF/Black
- Pin: Brass/Gold-plated
- Degree of protection: IP67
- Insulation resistance: $\geq 100M\Omega$
- Forward resistance: $\leq 5m\Omega$
- Degree of pollution: 3
- Ambient temperature: $-25\sim +85^{\circ}C$
- Plug: 7/8"-16UN
- Insertion/withdrawal cycles: ≥ 100
- Torque: 1.5 Nm (7/8 Plug connector)
- Cable: Refer to cable specification for detailed data

Key Commercial Data

- Packing unit: 2M/10PCS/Bag, 5M/5PCS/Bag, 10M/1PCS/Bag
- Small package (200×150×100), Medium (330×250×150), Large (400×300×230) mm

Type No.	ID No.	Length	Angle	Current	Voltage	Wire gauge	Pinout	Wire colors
MWF3-2/C00	10250022	2M	Right angle	9A	600V	3×1.5 (3×16AWG) Black PVC, OD=8.0 No.: 19800177		1 = GN/YE 2 = BN 3 = BU
MWF3-5/C00	10250023	5M						
MWF3-10/C00	10250024	10M						
MWF4-2/C00	10250025	2M	Right angle	9A	600V	4×1.5 (4×16AWG) Black PVC, OD=8.0 No.: 19800178		1 = BK 2 = BU 3 = BN 4 = WH
MWF4-5/C00	10250026	5M						
MWF4-10/C00	10250027	10M						
MWF5-2/C00	10250028	2M	Right angle	9A	600V	5×1.5 (5×16AWG) Black PVC, OD=8.6 No.: 19800179		1 = BK 2 = BU 3 = GN/YE 4 = BN 5 = WH
MWF5-5/C00	10250029	5M						
MWF5-10/C00	10250030	10M						
MWF6-2/C00	10250031	2M	Right angle	9A	600V	6×1.5 (6×16AWG) Black PVC, OD=13 No.: 19800180		1 = WH 2 = RD 3 = GN 4 = OR 5 = BK 6 = BU
MWF6-5/C00	10250032	5M						
MWF6-10/C00	10250033	10M						

* 7/8"-16UN pre-moulding connector, Standard cable lengths are 2/5/10M, Consult factory for other lengths. *

M8

M12

7/8"

M16

M23

CC-LINK

DeviceNet

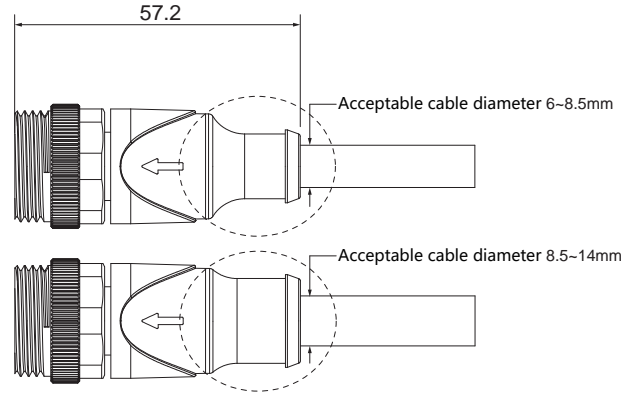
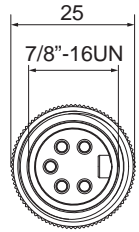
Profibus-DP

E-Net & P-Net

分支器 & 分线盒

阀式连接器

7/8" Male, Pre-moulding connector



Technical data

- Plug body: TPU/Yellow
- Coupling nut: Zinc/Nickel-plated
- Contact carrier: TPU+GF/Black
- Pin: Brass/Gold-plated
- Degree of protection: IP67
- Insulation resistance: $\geq 100M\Omega$
- Forward resistance: $\leq 5m\Omega$
- Degree of pollution: 3
- Ambient temperature: $-25\sim +85^{\circ}C$
- Plug: 7/8"-16UN
- Insertion/withdrawal cycles: ≥ 100
- Torque: 1.5 Nm (7/8 Plug connector)
- Cable: Refer to cable specification for detailed data

Key Commercial Data

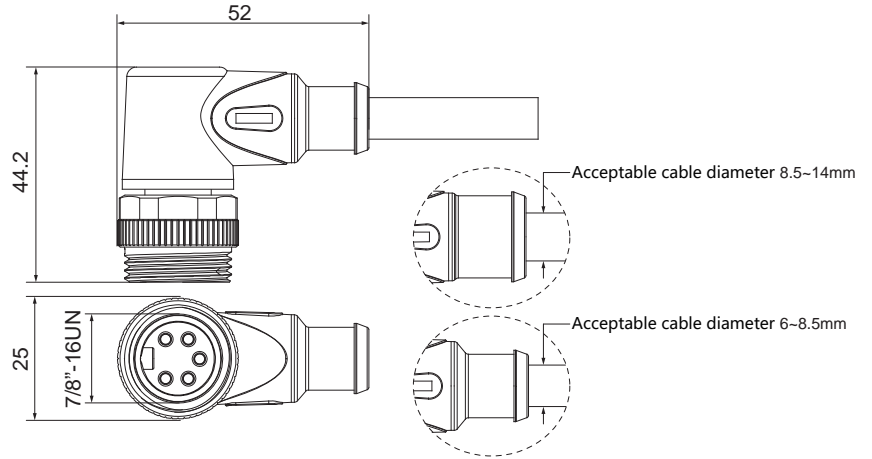
- Packing unit: 2M/10PCS/Bag, 5M/5PCS/Bag, 10M/1PCS/Bag
- Small package (200×150×100) , Medium (330×250×150) , Large (400×300×230) mm

Type No.	ID No.	Length	Angle	Current	Voltage	Wire gauge	Pinout	Wire colors
MM3-2/C00	10250034	2M	Straight	9A	600V	3×1.5 (3×16AWG) Black PVC, OD=8.0 No.: 19800177		1 = GN/YE 2 = BN 3 = BU
MM3-5/C00	10250035	5M						
MM3-10/C00	10250036	10M						
MM4-2/C00	10250037	2M	Straight	9A	600V	4×1.5 (4×16AWG) Black PVC, OD=8.0 No.: 19800178		1 = BK 2 = BU 3 = BN 4 = WH
MM4-5/C00	10250038	5M						
MM4-10/C00	10250039	10M						
MM5-2/C00	10250040	2M	Straight	9A	600V	5×1.5 (5×16AWG) Black PVC, OD=8.6 No.: 19800179		1 = BK 2 = BU 3 = GN/YE 4 = BN 5 = WH
MM5-5/C00	10250041	5M						
MM5-10/C00	10250042	10M						
MM6-2/C00	10250043	2M	Straight	9A	600V	6×1.5 (6×16AWG) Black PVC, OD=13 No.: 19800180		1 = WH 2 = RD 3 = GN 4 = OR 5 = BK 6 = BU
MM6-5/C00	10250044	5M						
MM6-10/C00	10250045	10M						

* 7/8"-16UN pre-moulding connector, Standard cable lengths are 2/5/10M, Consult factory for other lengths. *

7/8" M8 M12 M16 M23 CC-LINK DeviceNet Profibus-DP E-Net & P-Net 分支器 & 分线盒 阀式连接器

7/8" Male, Pre-moulding connector



Technical data

- Plug body: TPU/Yellow
- Coupling nut: Zinc/Nickel-plated
- Contact carrier: TPU+GF/Black
- Pin: Brass/Gold-plated
- Degree of protection: IP67
- Insulation resistance: $\geq 100M\Omega$
- Forward resistance: $\leq 5m\Omega$
- Degree of pollution: 3
- Ambient temperature: $-25\sim +85^{\circ}C$
- Plug: 7/8"-16UN
- Insertion/withdrawal cycles: ≥ 100
- Torque: 1.5 Nm (7/8 Plug connector)
- Cable: Refer to cable specification for detailed data

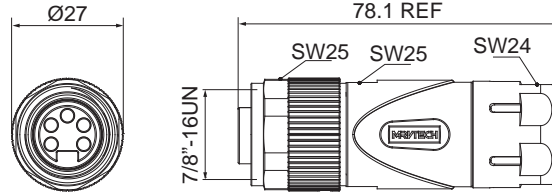
Key Commercial Data

- Packing unit: 2M/10PCS/Bag, 5M/5PCS/Bag, 10M/1PCS/Bag
Small package (200×150×100), Medium (330×250×150), Large (400×300×230) mm

Type No.	ID No.	Length	Angle	Current	Voltage	Wire gauge	Pinout	Wire colors
MWM3-2/C00	10250046	2M	Right angle	9A	600V	3×1.5 (3×16AWG) Black PVC, OD=8.0 No.: 19800177		1 = GN/YE 2 = BN 3 = BU
MWM3-5/C00	10250047	5M						
MWM3-10/C00	10250048	10M						
MWM4-2/C00	10250049	2M	Right angle	9A	600V	4×1.5 (4×16AWG) Black PVC, OD=8.0 No.: 19800178		1 = BK 2 = BU 3 = BN 4 = WH
MWM4-5/C00	10250050	5M						
MWM4-10/C00	10250051	10M						
MWM5-2/C00	10250052	2M	Right angle	9A	600V	5×1.5 (5×16AWG) Black PVC, OD=8.6 No.: 19800179		1 = BK 2 = BU 3 = GN/YE 4 = BN 5 = WH
MWM5-5/C00	10250053	5M						
MWM5-10/C00	10250054	10M						
MWM6-2/C00	10250055	2M	Right angle	9A	600V	6×1.5 (6×16AWG) Black PVC, OD=13 No.: 19800180		1 = WH 2 = RD 3 = GN 4 = OR 5 = BK 6 = BU
MWM6-5/C00	10250056	5M						
MWM6-10/C00	10250057	10M						

* 7/8"-16UN pre-moulding connector, Standard cable lengths are 2/5/10M, Consult factory for other lengths. *

7/8" Female, Field wirable connector, Plastic housing, Cast aluminum nut



Technical data

- Housing material: PA66/Black
- Coupling nut: Alumina/Black
- Contact carrier: TPU/Black
- Pin: Brass/Gold-plated
- O-ring: FPM/FKM
- Insulation resistance: $\geq 100M\Omega$
- Forward resistance: $\leq 5m\Omega$
- Degree of pollution: 3
- Ambient temperature: $-25\sim +85^{\circ}C$
- Degree of protection: IP67
- Plug: 7/8"-16UN
- Insertion/withdrawal cycles: ≥ 100
- Connection: Screw connection

Key Commercial Data

- Packing unit: 1PCS/Bag
- Small package (200×150×100) , Medium (330×250×150) , Large (400×300×230) mm

Type No.	ID No.	Connection	Current	Voltage	Wire gauge	Pinout
MF321-13	11250010	Screw connection	9A	300V	0.34~0.25 mm ² Accept cable diameter: 6~8mm (Black O-ring) 8~10mm (Bule O-ring) 10~13mm (Gray O-ring)	
MF421-13	11250011	Screw connection	9A	300V	0.34~0.25 mm ² Accept cable diameter: 6~8mm (Black O-ring) 8~10mm (Bule O-ring) 10~13mm (Gray O-ring)	
MF521-13	11250001	Screw connection	9A	300V	0.34~0.25 mm ² Accept cable diameter: 6~8mm (Black O-ring) 8~10mm (Bule O-ring) 10~13mm (Gray O-ring)	
MF621-13	11250002	Screw connection	9A	300V	0.34~0.25 mm ² Accept cable diameter: 6~8mm (Black O-ring) 8~10mm (Bule O-ring) 10~13mm (Gray O-ring)	

* 7/8" Field wirable connector *

M8

M12

7/8"

M16

M23

分支器 & 分线盒 树式连接器

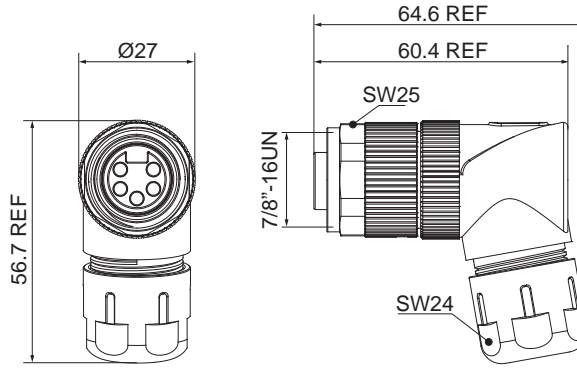
E-Net & P-Net

Profibus-DP

DeviceNet

CC-LINK

7/8" Right angle Female, Field wirable connector, Plastic housing, Cast aluminum nut



Technical data

- Housing material: PA66/Black
- Coupling nut: Alumina/Black
- Contact carrier: TPU/Black
- Pin: Brass/Gold-plated
- O-ring: FPM/FKM
- Insulation resistance: $\geq 100M\Omega$
- Forward resistance: $\leq 5m\Omega$
- Degree of pollution: 3
- Ambient temperature: $-25\sim +85^{\circ}C$
- Degree of protection: IP67
- Plug: 7/8"-16UN
- Insertion/withdrawal cycles: ≥ 100
- Connection: Screw connection

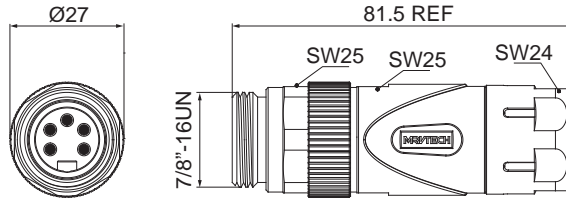
Key Commercial Data

- Packing unit: 1PCS/Bag
Small package (200×150×100) , Medium (330×250×150) , Large (400×300×230) mm

Type No.	ID No.	Connection	Current	Voltage	Wire gauge	Pinout
MWF321-13	11250012	Screw connection	9A	300V	0.34~0.25 mm ² Accept cable diameter: 6~8mm (Black O-ring) 8~10mm (Bule O-ring) 10~13mm (Gray O-ring)	
MWF421-13	11250013	Screw connection	9A	300V	0.34~0.25 mm ² Accept cable diameter: 6~8mm (Black O-ring) 8~10mm (Bule O-ring) 10~13mm (Gray O-ring)	
MWF521-13	11250007	Screw connection	9A	300V	0.34~0.25 mm ² Accept cable diameter: 6~8mm (Black O-ring) 8~10mm (Bule O-ring) 10~13mm (Gray O-ring)	
MWF621-13	11250014	Screw connection	9A	300V	0.34~0.25 mm ² Accept cable diameter: 6~8mm (Black O-ring) 8~10mm (Bule O-ring) 10~13mm (Gray O-ring)	

* 7/8" Field wirable connector *

7/8" Male, Field wirable connector, Plastic housing, Cast aluminum nut



Technical data

- Housing material: PA66/Black
- Coupling nut: Alumina/Black
- Contact carrier: TPU/Black
- Pin: Brass/Gold-plated
- O-ring: FPM/FKM
- Insulation resistance: $\geq 100M\Omega$
- Forward resistance: $\leq 5m\Omega$
- Degree of pollution: 3
- Ambient temperature: $-25\sim +85^{\circ}C$
- Degree of protection: IP67
- Plug: 7/8"-16UN
- Insertion/withdrawal cycles: ≥ 100
- Connection: Screw connection

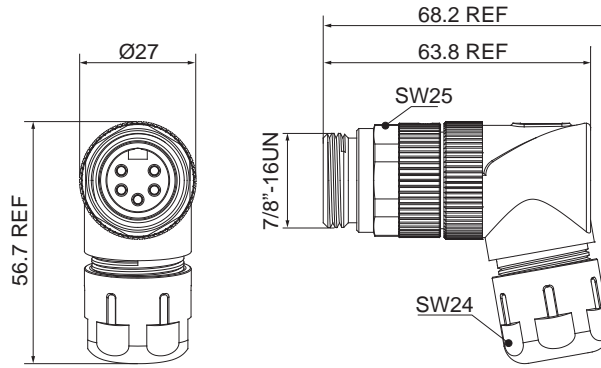
Key Commercial Data

- Weight: 5Pin/50g;6Pin/55g
- Packing unit: 1PCS/Bag
- Small package (200×150×100) , Medium (330×250×150) , Large (400×300×230) mm

Type No.	ID No.	Connection	Current	Voltage	Wire gauge	Pinout
MM321-13	11250015	Screw connection	9A	300V	0.34~0.25 mm ² Accept cable diameter: 6~8mm (Black O-ring) 8~10mm (Bule O-ring) 10~13mm (Gray O-ring)	
MM421-13	11250016	Screw connection	9A	300V	0.34~0.25 mm ² Accept cable diameter: 6~8mm (Black O-ring) 8~10mm (Bule O-ring) 10~13mm (Gray O-ring)	
MM521-13	11250003	Screw connection	9A	300V	0.34~0.25 mm ² Accept cable diameter: 6~8mm (Black O-ring) 8~10mm (Bule O-ring) 10~13mm (Gray O-ring)	
MM621-13	11250004	Screw connection	9A	300V	0.34~0.25 mm ² Accept cable diameter: 6~8mm (Black O-ring) 8~10mm (Bule O-ring) 10~13mm (Gray O-ring)	

* 7/8" Field wirable connector *

7/8" Right angle Male, Field wirable connector, Plastic housing, Cast aluminum nut



Technical data

- Housing material: PA66/Black
- Coupling nut: Alumina/Black
- Contact carrier: TPU/Black
- Pin: Brass/Gold-plated
- O-ring: FPM/FKM
- Insulation resistance: $\geq 100M\Omega$
- Forward resistance: $\leq 5m\Omega$
- Degree of pollution: 3
- Ambient temperature: $-25\sim +85^{\circ}C$
- Degree of protection: IP67
- Plug: 7/8"-16UN
- Insertion/withdrawal cycles: ≥ 100
- Connection: Screw connection

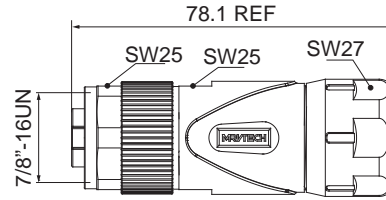
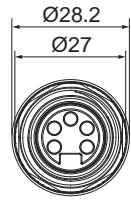
Key Commercial Data

- Packing unit: 1PCS/Bag
- Small package (200×150×100) , Medium (330×250×150) , Large (400×300×230) mm

Type No.	ID No.	Connection	Current	Voltage	Wire gauge	Pinout
MWM321-13	11250017	Screw connection	9A	300V	0.34~0.25 mm ² Accept cable diameter: 6~8mm (Black O-ring) 8~10mm (Bule O-ring) 10~13mm (Gray O-ring)	
MWM421-13	11250018	Screw connection	9A	300V	0.34~0.25 mm ² Accept cable diameter: 6~8mm (Black O-ring) 8~10mm (Bule O-ring) 10~13mm (Gray O-ring)	
MWM521-13	11250006	Screw connection	9A	300V	0.34~0.25 mm ² Accept cable diameter: 6~8mm (Black O-ring) 8~10mm (Bule O-ring) 10~13mm (Gray O-ring)	
MWM621-13	11250019	Screw connection	9A	300V	0.34~0.25 mm ² Accept cable diameter: 6~8mm (Black O-ring) 8~10mm (Bule O-ring) 10~13mm (Gray O-ring)	

* 7/8" Field wirable connector *

7/8" Female, Field wirable connector, Plastic housing, Cast aluminum nut



Technical data

- Housing material: PA66/Black
- Coupling nut: Alumina/Black
- Contact carrier: TPU/Black
- Pin: Brass/Gold-plated
- O-ring: FPM/FKM
- Insulation resistance: $\geq 100M\Omega$
- Forward resistance: $\leq 5m\Omega$
- Degree of pollution: 3
- Ambient temperature: $-25\sim +85^{\circ}C$
- Degree of protection: IP67
- Plug: 7/8"-16UN
- Insertion/withdrawal cycles: ≥ 100
- Connection: Screw connection

Key Commercial Data

- Packing unit: 1PCS/Bag
- Small package (200×150×100) , Medium (330×250×150) , Large (400×300×230) mm

Type No.	ID No.	Connection	Current	Voltage	Wire gauge	Pinout
MF321-18	11250020	Screw connection	9A	300V	0.34~0.25 mm ² Accept cable diameter: 13~15mm (Black O-ring) 15~18mm (Gray O-ring)	
MF421-18	11250021	Screw connection	9A	300V	0.34~0.25 mm ² Accept cable diameter: 13~15mm (Black O-ring) 15~18mm (Gray O-ring)	
MF521-18	11250022	Screw connection	9A	300V	0.34~0.25 mm ² Accept cable diameter: 13~15mm (Black O-ring) 15~18mm (Gray O-ring)	
MF621-18	11250023	Screw connection	9A	300V	0.34~0.25 mm ² Accept cable diameter: 13~15mm (Black O-ring) 15~18mm (Gray O-ring)	

* 7/8" Field wirable connector *

M8

M12

7/8"

M16

M23

分支器 & 分线盒 调式连接器

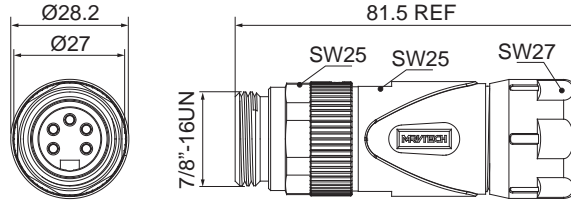
E-Net & P-Net

Profibus-DP

DeviceNet

CC-LINK

7/8" Female, Field wirable connector, Plastic housing, Cast aluminum nut



Technical data

- Housing material: PA66/Black
- Coupling nut: Alumina/Black
- Contact carrier: TPU/Black
- Pin: Brass/Gold-plated
- O-ring: FPM/FKM
- Insulation resistance: $\geq 100M\Omega$
- Forward resistance: $\leq 5m\Omega$
- Degree of pollution: 3
- Ambient temperature: $-25\sim +85^{\circ}C$
- Degree of protection: IP67
- Plug: 7/8"-16UN
- Insertion/withdrawal cycles: ≥ 100
- Connection: Screw connection

Key Commercial Data

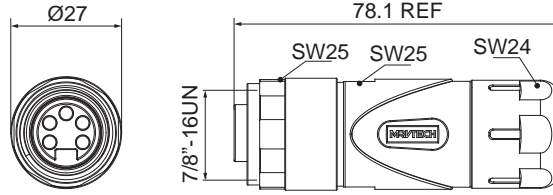
- Packing unit: 1PCS/Bag
Small package (200×150×100) , Medium (330×250×150) , Large (400×300×230) mm

Type No.	ID No.	Connection	Current	Voltage	Wire gauge	Pinout
MM321-18	11250024	Screw connection	9A	300V	0.34~0.25 mm ² Accept cable diameter: 13~15mm (Black O-ring) 15~18mm (Gray O-ring)	
MM421-18	11250025	Screw connection	9A	300V	0.34~0.25 mm ² Accept cable diameter: 13~15mm (Black O-ring) 15~18mm (Gray O-ring)	
MM521-18	11250026	Screw connection	9A	300V	0.34~0.25 mm ² Accept cable diameter: 13~15mm (Black O-ring) 15~18mm (Gray O-ring)	
MM621-18	11250027	Screw connection	9A	300V	0.34~0.25 mm ² Accept cable diameter: 13~15mm (Black O-ring) 15~18mm (Gray O-ring)	

* 7/8" Field wirable connector *

M8 M12 7/8" M16 M23 CC-LINK DeviceNet Profibus-DP E-Net & P-Net 分支器&分线盒 阀式连接器

7/8" Female, Field wirable connector, Plastic housing, stainless steel coupling nut



Technical data

- Housing material: PA66/Black
- Coupling nut: Stainless steel
- Contact carrier: TPU/Black
- Pin: Brass/Gold-plated
- O-ring: FPM/FKM
- Insulation resistance: $\geq 100M\Omega$
- Forward resistance: $\leq 5m\Omega$
- Degree of pollution: 3
- Ambient temperature: $-25\sim +85^{\circ}C$
- Degree of protection: IP67
- Plug: 7/8"-16UN
- Insertion/withdrawal cycles: ≥ 100
- Connection: Screw connection

Key Commercial Data

- Packing unit: 1PCS/Bag
- Small package (200×150×100) , Medium (330×250×150) , Large (400×300×230) mm

Type No.	ID No.	Connection	Current	Voltage	Wire gauge	Pinout
MF322-13	11250028	Screw connection	9A	300V	0.34~0.25 mm ² Accept cable diameter: 6~8mm (Black O-ring) 8~10mm (Bule O-ring) 10~13mm (Gray O-ring)	
MF422-13	11250029	Screw connection	9A	300V	0.34~0.25 mm ² Accept cable diameter: 6~8mm (Black O-ring) 8~10mm (Bule O-ring) 10~13mm (Gray O-ring)	
MF522-13	11250005	Screw connection	9A	300V	0.34~0.25 mm ² Accept cable diameter: 6~8mm (Black O-ring) 8~10mm (Bule O-ring) 10~13mm (Gray O-ring)	
MF622-13	11250030	Screw connection	9A	300V	0.34~0.25 mm ² Accept cable diameter: 6~8mm (Black O-ring) 8~10mm (Bule O-ring) 10~13mm (Gray O-ring)	

* 7/8" Field wirable connector *

M8

M12

7/8"

M16

M23

分支器 & 分线盒 调式连接器

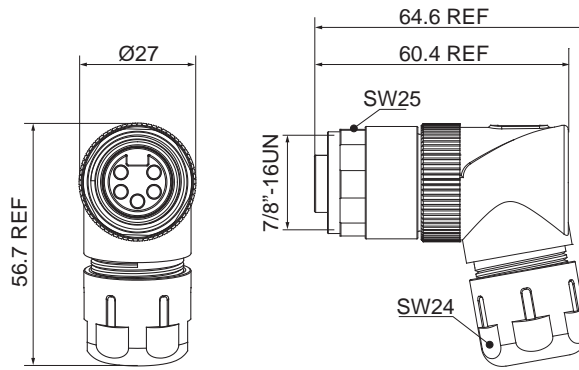
E-Net & P-Net

Profibus-DP

DeviceNet

CC-LINK

7/8" Right angle Female, Field wirable connector, Plastic housing, stainless steel coupling nut



Technical data

- Housing material: PA66/Black
- Coupling nut: Stainless steel
- Contact carrier: TPU/Black
- Pin: Brass/Gold-plated
- O-ring: FPM/FKM
- Insulation resistance: $\geq 100M\Omega$
- Forward resistance: $\leq 5m\Omega$
- Degree of pollution: 3
- Ambient temperature: $-25\sim +85^{\circ}C$
- Degree of protection: IP67
- Plug: 7/8"-16UN
- Insertion/withdrawal cycles: ≥ 100
- Connection: Screw connection

Key Commercial Data

- Packing unit: 1PCS/Bag
Small package (200×150×100) , Medium (330×250×150) , Large (400×300×230) mm

Type No.	ID No.	Connection	Current	Voltage	Wire gauge	Pinout
MWF322-13	11250031	Screw connection	9A	300V	0.34~0.25 mm ² Accept cable diameter: 6~8mm (Black O-ring) 8~10mm (Bule O-ring) 10~13mm (Gray O-ring)	
MWF422-13	11250032	Screw connection	9A	300V	0.34~0.25 mm ² Accept cable diameter: 6~8mm (Black O-ring) 8~10mm (Bule O-ring) 10~13mm (Gray O-ring)	
MWF522-13	11250033	Screw connection	9A	300V	0.34~0.25 mm ² Accept cable diameter: 6~8mm (Black O-ring) 8~10mm (Bule O-ring) 10~13mm (Gray O-ring)	
MWF622-13	11250034	Screw connection	9A	300V	0.34~0.25 mm ² Accept cable diameter: 6~8mm (Black O-ring) 8~10mm (Bule O-ring) 10~13mm (Gray O-ring)	

* 7/8" Field wirable connector *

M8

M12

7/8"

M16

M23

CC-LINK

DeviceNet

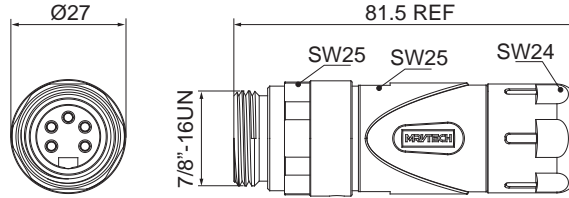
Profibus-DP

E-Net & P-Net

分支器&分线盒

阀式连接器

7/8" Male, Field wirable connector, Plastic housing, stainless steel coupling nut



Technical data

- Housing material: PA66/Black
- Coupling nut: Stainless steel
- Contact carrier: TPU/Black
- Pin: Brass/Gold-plated
- O-ring: FPM/FKM
- Insulation resistance: $\geq 100M\Omega$
- Forward resistance: $\leq 5m\Omega$
- Degree of pollution: 3
- Ambient temperature: $-25\sim +85^{\circ}C$
- Degree of protection: IP67
- Plug: 7/8"-16UN
- Insertion/withdrawal cycles: ≥ 100
- Connection: Screw connection

Key Commercial Data

- Packing unit: 1PCS/Bag
- Small package (200×150×100) , Medium (330×250×150) , Large (400×300×230) mm

Type No.	ID No.	Connection	Current	Voltage	Wire gauge	Pinout
MM322-13	11250035	Screw connection	9A	300V	0.34~0.25 mm ² Accept cable diameter: 6~8mm (Black O-ring) 8~10mm (Bule O-ring) 10~13mm (Gray O-ring)	
MM422-13	11250036	Screw connection	9A	300V	0.34~0.25 mm ² Accept cable diameter: 6~8mm (Black O-ring) 8~10mm (Bule O-ring) 10~13mm (Gray O-ring)	
MM522-13	11250037	Screw connection	9A	300V	0.34~0.25 mm ² Accept cable diameter: 6~8mm (Black O-ring) 8~10mm (Bule O-ring) 10~13mm (Gray O-ring)	
MM622-13	11250038	Screw connection	9A	300V	0.34~0.25 mm ² Accept cable diameter: 6~8mm (Black O-ring) 8~10mm (Bule O-ring) 10~13mm (Gray O-ring)	

* 7/8" Field wirable connector *

M8

M12

7/8"

M16

M23

分支器 & 分线盒 阀式连接器

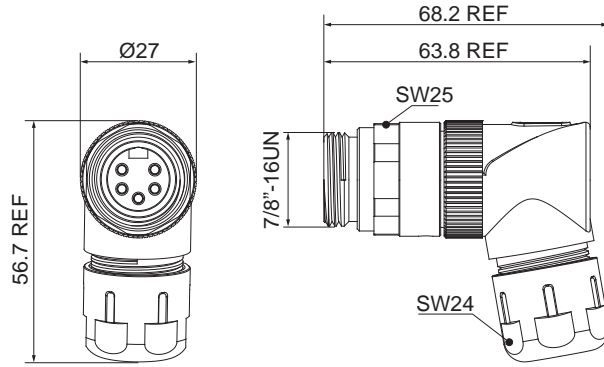
E-Net & P-Net

Profibus-DP

DeviceNet

CC-LINK

7/8" Right angle Male, Field wirable connector, Plastic housing, stainless steel coupling nut



Technical data

- Housing material: PA66/Black
- Coupling nut: Stainless steel
- Contact carrier: TPU/Black
- Pin: Brass/Gold-plated
- O-ring: FPM/FKM
- Insulation resistance: $\geq 100M\Omega$
- Forward resistance: $\leq 5m\Omega$
- Degree of pollution: 3
- Ambient temperature: $-25\sim +85^{\circ}C$
- Degree of protection: IP67
- Plug: 7/8"-16UN
- Insertion/withdrawal cycles: ≥ 100
- Connection: Screw connection

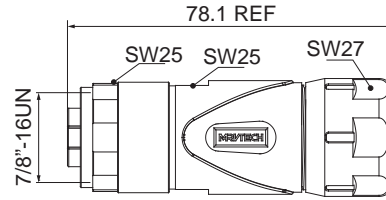
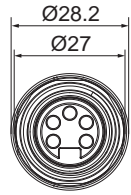
Key Commercial Data

- Packing unit: 1PCS/Bag
- Small package (200×150×100) , Medium (330×250×150) , Large (400×300×230) mm

Type No.	ID No.	Connection	Current	Voltage	Wire gauge	Pinout
MWM322-13	11250039	Screw connection	9A	300V	0.34~0.25 mm ² Accept cable diameter: 6~8mm (Black O-ring) 8~10mm (Bule O-ring) 10~13mm (Gray O-ring)	
MWM422-13	11250040	Screw connection	9A	300V	0.34~0.25 mm ² Accept cable diameter: 6~8mm (Black O-ring) 8~10mm (Bule O-ring) 10~13mm (Gray O-ring)	
MWM522-13	11250041	Screw connection	9A	300V	0.34~0.25 mm ² Accept cable diameter: 6~8mm (Black O-ring) 8~10mm (Bule O-ring) 10~13mm (Gray O-ring)	
MWM622-13	11250042	Screw connection	9A	300V	0.34~0.25 mm ² Accept cable diameter: 6~8mm (Black O-ring) 8~10mm (Bule O-ring) 10~13mm (Gray O-ring)	

* 7/8" Field wirable connector *

7/8" Male, Field wirable connector, Plastic housing, stainless steel coupling nut



Technical data

- Housing material: PA66/Black
- Coupling nut: Stainless steel
- Contact carrier: TPU/Black
- Pin: Brass/Gold-plated
- O-ring: FPM/FKM
- Insulation resistance: $\geq 100M\Omega$
- Forward resistance: $\leq 5m\Omega$
- Degree of pollution: 3
- Ambient temperature: $-25\sim +85^{\circ}C$
- Degree of protection: IP67
- Plug: 7/8"-16UN
- Insertion/withdrawal cycles: ≥ 100
- Connection: Screw connection

Key Commercial Data

- Packing unit: 1PCS/Bag
- Small package (200×150×100) , Medium (330×250×150) , Large (400×300×230) mm

Type No.	ID No.	Connection	Current	Voltage	Wire gauge	Pinout
MF322-18	11250043	Screw connection	9A	300V	0.34~0.25 mm ² Accept cable diameter: 13~15mm (Black O-ring) 15~18mm (Gray O-ring)	
MF422-18	11250044	Screw connection	9A	300V	0.34~0.25 mm ² Accept cable diameter: 13~15mm (Black O-ring) 15~18mm (Gray O-ring)	
MF522-18	11250045	Screw connection	9A	300V	0.34~0.25 mm ² Accept cable diameter: 13~15mm (Black O-ring) 15~18mm (Gray O-ring)	
MF622-18	11250000	Screw connection	9A	300V	0.34~0.25 mm ² Accept cable diameter: 13~15mm (Black O-ring) 15~18mm (Gray O-ring)	

* 7/8" Field wirable connector *

M8

M12

7/8"

M16

M23

分支器 & 分线盒 调式连接器

E-Net & P-Net

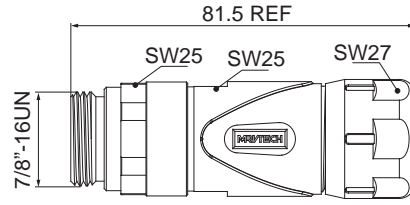
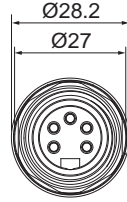
Profibus-DP

DeviceNet

CC-LINK

7/8" field wirable connector 3/4/5/6pins

7/8" Male, Field wirable connector, Plastic housing, stainless steel coupling nut



Technical data

- Housing material: PA66/Black
- Coupling nut: Stainless steel
- Contact carrier: TPU/Black
- Pin: Brass/Gold-plated
- O-ring: FPM/FKM
- Insulation resistance: $\geq 100M\Omega$
- Forward resistance: $\leq 5m\Omega$
- Degree of pollution: 3
- Ambient temperature: $-25\sim +85^{\circ}C$
- Degree of protection: IP67
- Plug: 7/8"-16UN
- Insertion/withdrawal cycles: ≥ 100
- Connection: Screw connection

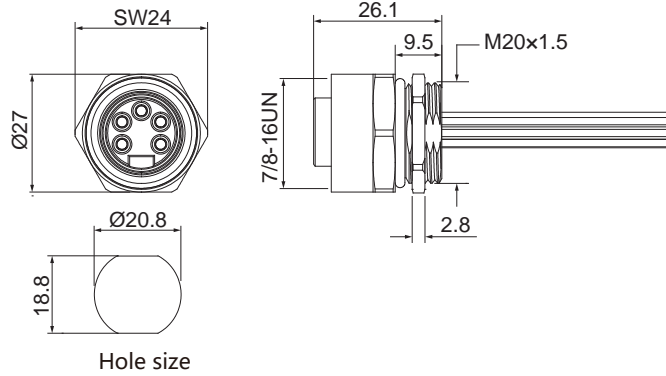
Key Commercial Data

- Packing unit: 1PCS/Bag
Small package (200×150×100) , Medium (330×250×150) , Large (400×300×230) mm

Type No.	ID No.	Connection	Current	Voltage	Wire gauge	Pinout
MM322-18	11250046	Screw connection	9A	300V	0.34~0.25 mm ² Accept cable diameter: 13~15mm (Black O-ring) 15~18mm (Gray O-ring)	
MM422-18	11250047	Screw connection	9A	300V	0.34~0.25 mm ² Accept cable diameter: 13~15mm (Black O-ring) 15~18mm (Gray O-ring)	
MM522-18	11250048	Screw connection	9A	300V	0.34~0.25 mm ² Accept cable diameter: 13~15mm (Black O-ring) 15~18mm (Gray O-ring)	
MM622-18	11250049	Screw connection	9A	300V	0.34~0.25 mm ² Accept cable diameter: 13~15mm (Black O-ring) 15~18mm (Gray O-ring)	

* 7/8" Field wirable connector *

7/8" Female, receptacle connector, front mounting, with wire



Technical data

- Housing material: Zinc/Nickel-plated
- Coupling nut: Zinc/Nickel-plated
- Contact carrier: TPU/Black
- Pin: Brass/Gold-plated
- O-ring: FPM/FKM
- Insulation resistance: $\geq 100M\Omega$
- Forward resistance: $\leq 5m\Omega$
- Degree of pollution: 3
- Ambient temperature: $-25\sim +85^{\circ}C$
- Degree of protection: IP67
- Plug: 7/8"-16UN
- Insertion/withdrawal cycles: ≥ 100
- Torque: 24 Nm (mounting side)
- Cable: Refer to cable specification for detailed data

Key Commercial Data

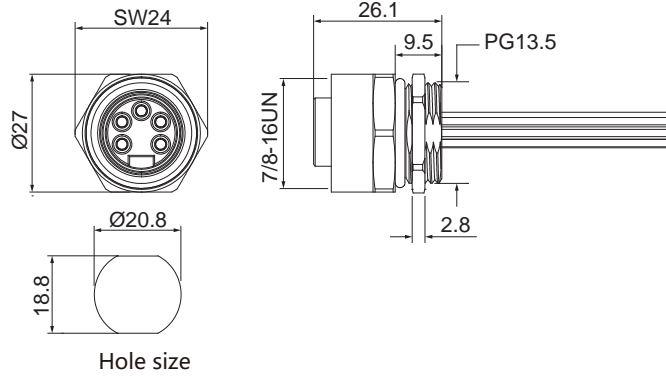
- Packing unit: 1PCS/Bag
- Small package (200×150×100) , Medium (330×250×150) , Large (400×300×230) mm

Type No.	ID No.	Length	Mode	Current	Voltage	Wire gauge	Pinout	Wire colors
FMF3F-0.5	12250009	0.5M	with wire	9A	300V	3×1.5 (3×16AWG)		1 = GN/YE 2 = BN 3 = BU
FMF4F-0.5	12250010	0.5M	with wire	9A	300V	4×1.5 (4×16AWG)		1 = BK 2 = BU 3 = BN 4 = WH
FMF5F-0.5	12250011	0.5M	with wire	9A	300V	5×1.5 (5×16AWG)		1 = BK 2 = BU 3 = GN/YE 4 = BN 5 = WH
FMF6F-0.5	12250012	0.5M	with wire	9A	300V	6×1.5 (6×16AWG)		1 = WH 2 = RD 3 = GN 4 = OR 5 = BK 6 = BU

* 7/8"-16UN front mount receptacle connector, with wire, Standard cable lengths are 0.5M, Consult factory for other lengths *

7/8" receptacle connector 3/4/5/6pins

7/8" Female, receptacle connector, front mounting, with wire



Technical data

- Housing material: Zinc/Nickel-plated
- Coupling nut: Zinc/Nickel-plated
- Contact carrier: TPU/Black
- Pin: Brass/Gold-plated
- O-ring: FPM/FKM
- Insulation resistance: $\geq 100M\Omega$
- Forward resistance: $\leq 5m\Omega$
- Degree of pollution: 3
- Ambient temperature: $-25\sim +85^{\circ}C$
- Degree of protection: IP67
- Plug: 7/8"-16UN
- Insertion/withdrawal cycles: ≥ 100
- Torque: 24 Nm (mounting side)
- Cable: Refer to cable specification for detailed data

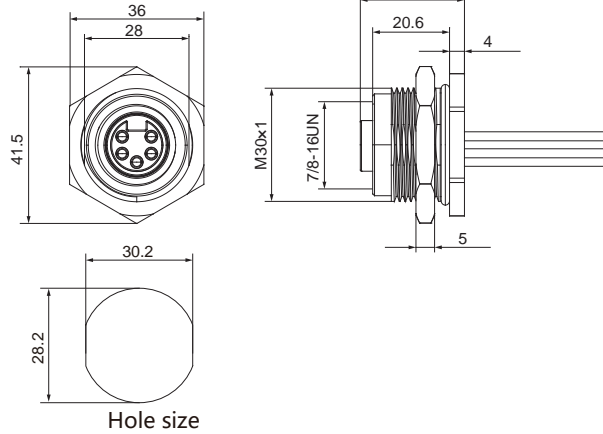
Key Commercial Data

- Packing unit: 1PCS/Bag
- Small package (200×150×100) , Medium (330×250×150) , Large (400×300×230) mm

Type No.	ID No.	Length	Mode	Current	Voltage	Wire gauge	Pinout	Wire colors
FMF3F-0.5/PG13.5	12250007	0.5M	with wire	9A	300V	3×1.5 (3×16AWG)		1 = GN/YE 2 = BN 3 = BU
FMF4F-0.5/PG13.5	12250008	0.5M	with wire	9A	300V	4×1.5 (4×16AWG)		1 = BK 2 = BU 3 = BN 4 = WH
FMF5F-0.5/PG13.5	12250003	0.5M	with wire	9A	300V	5×1.5 (5×16AWG)		1 = BK 2 = BU 3 = GN/YE 4 = BN 5 = WH
FMF6F-0.5/PG13.5	12250004	0.5M	with wire	9A	300V	6×1.5 (6×16AWG)		1 = WH 2 = RD 3 = GN 4 = OR 5 = BK 6 = BU

* 7/8"-16UN front mount receptacle connector, with wire, Standard cable lengths are 0.5M, Consult factory for other lengths *

7/8" Female, receptacle connector, rear mounting, with wire



Technical data

- Housing material: Zinc/Nickel-plated
- Coupling nut: Zinc/Nickel-plated
- Contact carrier: TPU/Black
- Pin: Brass/Gold-plated
- O-ring: FPM/FKM
- Insulation resistance: $\geq 100M\Omega$
- Forward resistance: $\leq 5m\Omega$
- Degree of pollution: 3
- Ambient temperature: $-25\sim +85^{\circ}C$
- Degree of protection: IP67
- Plug: 7/8"-16UN
- Insertion/withdrawal cycles: ≥ 100
- Torque: 24 Nm (mounting side)
- Cable: Refer to cable specification for detailed data

Key Commercial Data

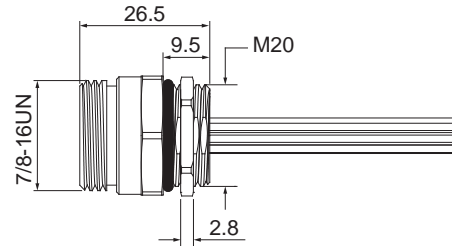
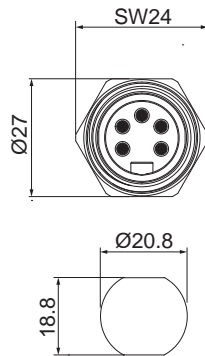
- Packing unit: 1PCS/Bag
- Small package (200×150×100) , Medium (330×250×150) , Large (400×300×230) mm

Type No.	ID No.	Length	Mode	Current	Voltage	Wire gauge	Pinout	Wire colors
FMF3R-0.5/M30	12250013	0.5M	with wire	9A	300V	3×1.5 (3×16AWG)		1 = GN/YE 2 = BN 3 = BU
FMF4R-0.5/M30	12250014	0.5M	with wire	9A	300V	4×1.5 (4×16AWG)		1 = BK 2 = BU 3 = BN 4 = WH
FMF5R-0.5/M30	12250015	0.5M	with wire	9A	300V	5×1.5 (5×16AWG)		1 = BK 2 = BU 3 = GN/YE 4 = BN 5 = WH
FMF6R-0.5/M30	12250016	0.5M	with wire	9A	300V	6×1.5 (6×16AWG)		1 = WH 2 = RD 3 = GN 4 = OR 5 = BK 6 = BU

* 7/8"-16UN rear mount receptacle connector, with wire, Standard cable lengths are 0.5M, Consult factory for other lengths *

7/8" receptacle connector 3/4/5/6pins

7/8" Male, receptacle connector, front mounting, with wire



Hole size

Technical data

- Housing material: Zinc/Nickel-plated
- Coupling nut: Zinc/Nickel-plated
- Contact carrier: TPU/Black
- Pin: Brass/Gold-plated
- O-ring: FPM/FKM
- Insulation resistance: $\geq 100M\Omega$
- Forward resistance: $\leq 5m\Omega$
- Degree of pollution: 3
- Ambient temperature: $-25\sim +85^{\circ}C$
- Degree of protection: IP67
- Plug: 7/8"-16UN
- Insertion/withdrawal cycles: ≥ 100
- Torque: 24 Nm (mounting side)
- Cable: Refer to cable specification for detailed data

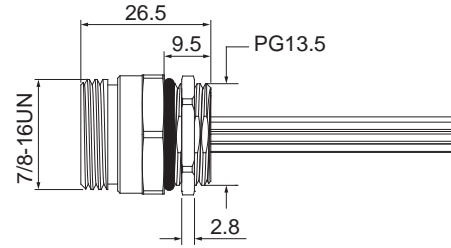
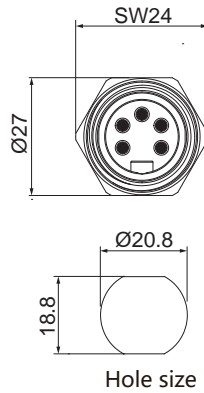
Key Commercial Data

- Packing unit: 1PCS/Bag
- Small package (200×150×100) , Medium (330×250×150) , Large (400×300×230) mm

Type No.	ID No.	Length	Mode	Current	Voltage	Wire gauge	Pinout	Wire colors
FMM3F-0.5	12250017	0.5M	with wire	9A	300V	3×1.5 (3×16AWG)		1 = GN/YE 2 = BN 3 = BU
FMM4F-0.5	12250018	0.5M	with wire	9A	300V	4×1.5 (4×16AWG)		1 = BK 2 = BU 3 = BN 4 = WH
FMM5F-0.5	12250019	0.5M	with wire	9A	300V	5×1.5 (5×16AWG)		1 = BK 2 = BU 3 = GN/YE 4 = BN 5 = WH
FMM6F-0.5	12250020	0.5M	with wire	9A	300V	6×1.5 (6×16AWG)		1 = WH 2 = RD 3 = GN 4 = OR 5 = BK 6 = BU

* 7/8"-16UN front mount receptacle connector, with wire, Standard cable lengths are 0.5M, Consult factory for other lengths *

7/8" Male, receptacle connector, front mounting, with wire



Technical data

- Housing material: Zinc/Nickel-plated
- Coupling nut: Zinc/Nickel-plated
- Contact carrier: TPU/Black
- Pin: Brass/Gold-plated
- O-ring: FPM/FKM
- Insulation resistance: $\geq 100M\Omega$
- Forward resistance: $\leq 5m\Omega$
- Degree of pollution: 3
- Ambient temperature: $-25\sim +85^{\circ}C$
- Degree of protection: IP67
- Plug: 7/8"-16UN
- Insertion/withdrawal cycles: ≥ 100
- Torque: 24 Nm (mounting side)
- Cable: Refer to cable specification for detailed data

Key Commercial Data

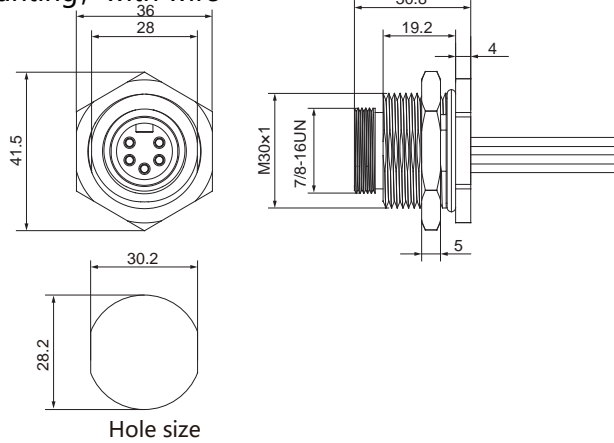
- Packing unit: 1PCS/Bag
- Small package (200×150×100) , Medium (330×250×150) , Large (400×300×230) mm

Type No.	ID No.	Length	Mode	Current	Voltage	Wire gauge	Pinout	Wire colors
FMM3F-0.5/PG13.5	12250021	0.5M	with wire	9A	300V	3×1.5 (3×16AWG)		1 = GN/YE 2 = BN 3 = BU
FMM4F-0.5/PG13.5	12250022	0.5M	with wire	9A	300V	4×1.5 (4×16AWG)		1 = BK 2 = BU 3 = BN 4 = WH
FMM5F-0.5/PG13.5	12250001	0.5M	with wire	9A	300V	5×1.5 (5×16AWG)		1 = BK 2 = BU 3 = GN/YE 4 = BN 5 = WH
FMM6F-0.5/PG13.5	12250002	0.5M	with wire	9A	300V	6×1.5 (6×16AWG)		1 = WH 2 = RD 3 = GN 4 = OR 5 = BK 6 = BU

* 7/8"-16UN front mount receptacle connector, with wire, Standard cable lengths are 0.5M, Consult factory for other lengths *

7/8" receptacle connector 3/4/5/6pins

7/8" Male, receptacle connector, rear mounting, with wire



Technical data

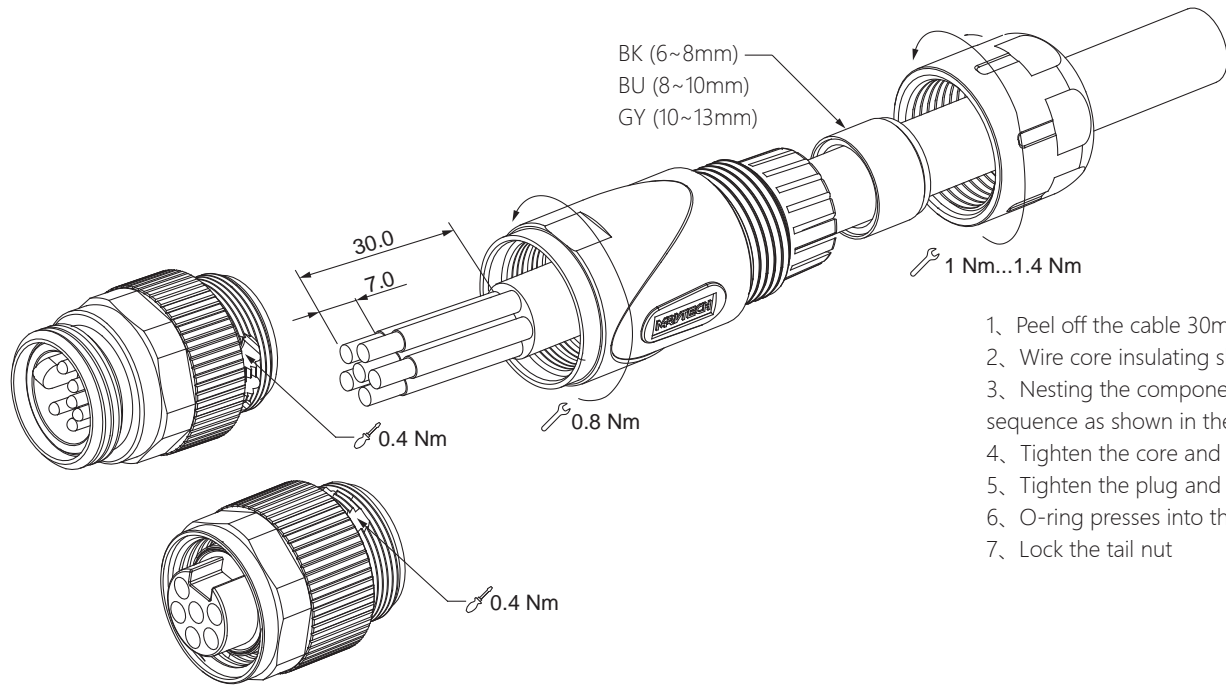
- Housing material: Zinc/Nickel-plated
- Coupling nut: Zinc/Nickel-plated
- Contact carrier: TPU/Black
- Pin: Brass/Gold-plated
- O-ring: FPM/FKM
- Insulation resistance: $\geq 100M\Omega$
- Forward resistance: $\leq 5m\Omega$
- Degree of pollution: 3
- Ambient temperature: $-25\sim +85^{\circ}C$
- Degree of protection: IP67
- Plug: 7/8"-16UN
- Insertion/withdrawal cycles: ≥ 100
- Torque: 24 Nm (mounting side)
- Cable: Refer to cable specification for detailed data

Key Commercial Data

- Packing unit: 1PCS/Bag
- Small package (200×150×100) , Medium (330×250×150) , Large (400×300×230) mm

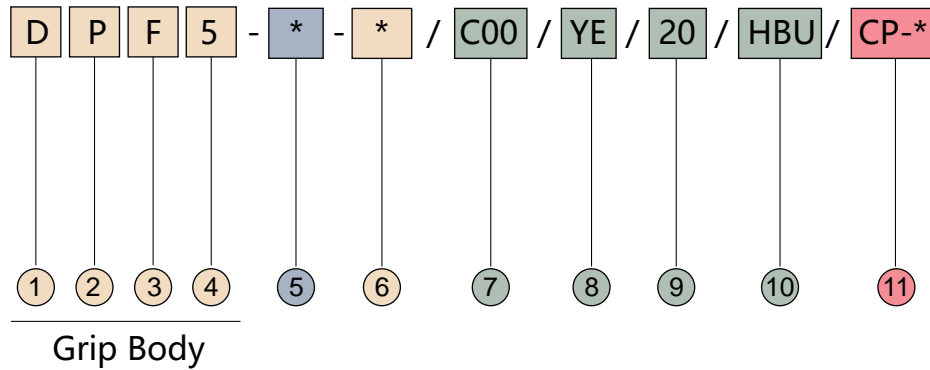
Type No.	ID No.	Length	Mode	Current	Voltage	Wire gauge	Pinout	Wire colors
FMM3R-0.5/M30	12250023	0.5M	with wire	9A	300V	3×1.5 (3×16AWG)		1 = GN/YE 2 = BN 3 = BU
FMM4R-0.5/M30	12250024	0.5M	with wire	9A	300V	4×1.5 (4×16AWG)		1 = BK 2 = BU 3 = BN 4 = WH
FMM5R-0.5/M30	12250025	0.5M	with wire	9A	300V	5×1.5 (5×16AWG)		1 = BK 2 = BU 3 = GN/YE 4 = BN 5 = WH
FMM6R-0.5/M30	12250026	0.5M	with wire	9A	300V	6×1.5 (6×16AWG)		1 = WH 2 = RD 3 = GN 4 = OR 5 = BK 6 = BU

* 7/8"-16UN rear mount receptacle connector, with wire, Standard cable lengths are 0.5M, Consult factory for other lengths *



- 1、 Peel off the cable 30mm
- 2、 Wire core insulating skin 7mm
- 3、 Nesting the components in sequence as shown in the diagram
- 4、 Tighten the core and plug screw
- 5、 Tighten the plug and housing
- 6、 O-ring presses into the housing
- 7、 Lock the tail nut

M16 CONNECTOR



- ① D = M16, Straight
DW = M16, Right angle
- ② Blank = Zinc die-cast, nickel-plated
V = Stainless steel nut
P = Plastic nut
- ③ M = Male
F = Female
- ④ Number of pins
Contact distribution
- ⑤ Length(M)
Can be customized
With 0.1M as increment
The shortest length is 0.2M.
- ⑥ Blank = Single-ended
Double-ended = part number key
refer to "Grip Body"
- ⑦ Reference cable code
- ⑧ Color of cable
Blank = Standard color
Customized cable color
YE = Yellow
GY = Gray
- ⑨ Wire gauge
Blank = Standard wire gauge
Customized wire gauge
24 24AWG: 0.25 mm²
22 22AWG: 0.34 mm²
....
- ⑩ Color of plug body
Blank = Standard color (Yellow)
Customized plug body color
HBK Black
HBU Blue
- ⑪ Customized products
* = Customized code

M8

M12

7/8"

M16

M23

阀式连接器

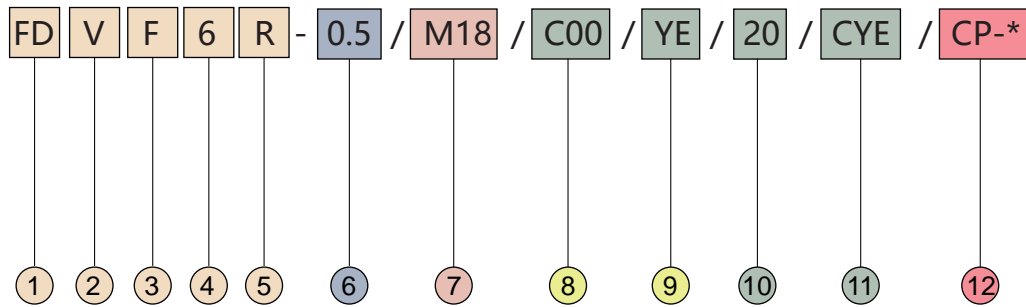
分支器&分线盒

E-Net & P-Net

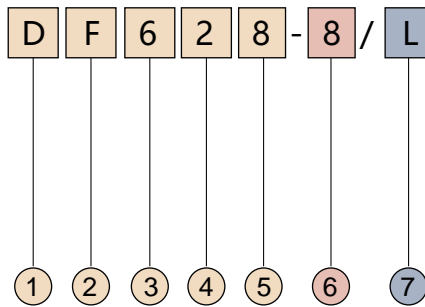
Profibus-DP

DeviceNet

CC-LINK



- ① M16 Receptacle connector
- ② Blank = Zinc die-cast, nickel-plated
V = Stainless steel nut
P = Plastic nut
- ③ M = Male
F = Female
- ④ Number of pins
Contact distribution
- ⑤ R = Rear mounting
F = Front mounting
A = Adjustable length and socket angle
M = Front mount, rotating coupling nut
- ⑥ Cable Length(M)
0.5 = Cable length 0.5M
Can be customized
L = Solder cup
C = Crimp connection
P = PCB pins one-piece
PS = PCB pins with shield contact one-piece
PW = PCB pins Angled wave soldering two-piece
PWS = PCB pins Angled shielded wave soldering two-piece
PT = PCB pins Straight wave soldering two-piece
PTS = PCB pins Straight shielded wave soldering two-piece
- ⑦ Mounting thread
M18 = M18×0.75
M20 = M20×1.5
PG13.5 = PG13.5
14.5NPT = 1/2-14NPT
14.5NPSM = 1/2-14NPSM
- ⑧ Reference cable code
Blank = Non Pre-moulding connector
- ⑨ Color of cable jacket
Blank = Standard color
Item 9 can only be defined when item 8 is selected
- ⑩ Wire gauge
Blank = Standard wire gauge
Customized wire gauge
24 24AWG: 0.25 mm²
22 22AWG: 0.34 mm²
....
- ⑪ Color of contact carrier
Blank = Standard color (Black)
CYE = Yellow contact carrier
CGN = Green contact carrier
CVT = Violet contact carrier
- ⑫ Customized products
* = Customized code



- ① D = M16, Straight
DW = M16, Right angle
- ② M = Male
F = Female
- ③ Number of pins
Contact distribution
- ④ 1 = Ag plated brass
2 = Au plated brass
- ⑤ Housing material
1 = Plastic housing, plastic coupling nut
2 = Plastic housing, metal coupling nut
3 = Plastic housing, stainless steel coupling nut
4 = Transparent plastic housing, plastic coupling nut
8 = Metal housing
9 = Stainless steel housing
- ⑥ Cable Installation Dimensions
8 = 4~8 mm
(Acceptable cable diameter 4-8 mm)
- ⑦ Connection cable
Blank = Screw connection
C = Crimp connection
L = Solder connection
P = Piercecon connection
S = Spring clamp connection
IDC = Insulation displacement contact

M8

M12

7/8"

M16

M23

阀式连接器

分支器&分线盒

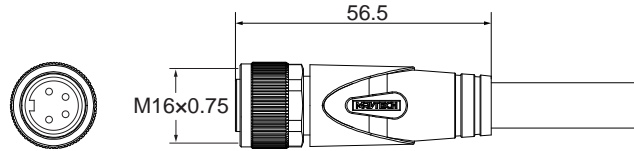
E-Net & P-Net

Profibus-DP

DeviceNet

CC-LINK

M16 Female, Pre-moulding connector, Anti-vibration



Technical data

- Plug body: TPU/Yellow
- Coupling nut: Zinc/Nickel-plated
- Contact carrier: TPU/Black
- Pin: Brass/Gold-plated
- O-ring: FPM/FKM
- Insulation resistance: $\geq 100M\Omega$
- Forward resistance: $\leq 5m\Omega$
- Degree of pollution: 3
- Ambient temperature: $-25\sim +85^{\circ}C$
- Degree of protection: IP67
- Plug: M16x0.75
- Insertion/withdrawal cycles: ≥ 100
- Torque: 1.5 Nm (M16 Plug connector)
- Cable: Refer to cable specification for detailed data

Key Commercial Data

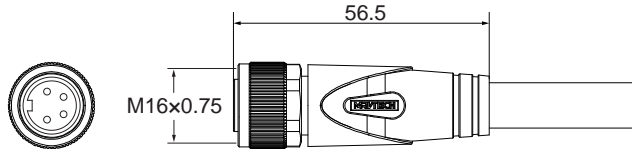
- Packing unit: 1PCS/Bag
Small package (200x150x100) , Medium (330x250x150) , Large (400x300x230) mm

Type No.	ID No.	Length	Angle	Current	Voltage	Wire gauge	Pinout	Wire colors
DF3-2/C00	10160000	2M	Straight	15A	600V	3x2.5 (3x14AWG) Black PVC, OD=9.6 No.: 19800156		1 = WH 2 = GN 3 = BK
DF3-5/C00	10160001	5M						
DF3-10/C00	10160002	10M						
DF4-2/C00	10160003	2M	Straight	15A	600V	4x2.5 (4x16AWG) Black PVC, OD=10 No.: 19800157		1 = WH 2 = GN 3 = BK 4 = RD
DF4-5/C00	10160004	5M						
DF4-10/C00	10160005	10M						

* Standard cable lengths are 2/5/10M, Consult factory for other lengths. Optional cable C00: fixed installation of PVC, C10: fixed installation of oil-resistant PUR, C13: drag chain installation of PUR. *

M16 pre-moulding connector 6/8/14.8pins

M16 Female, Pre-moulding connector, Anti-vibration



Technical data

- Plug body: TPU/Yellow
- Coupling nut: Zinc/Nickel-plated
- Contact carrier: TPU/Black
- Pin: Brass/Gold-plated
- O-ring: FPM/FKM
- Insulation resistance: $\geq 100M\Omega$
- Forward resistance: $\leq 5m\Omega$
- Degree of pollution: 3
- Ambient temperature: $-25\sim +85^{\circ}C$
- Degree of protection: IP67
- Plug: M16x0.75
- Insertion/withdrawal cycles: ≥ 100
- Torque: 1.5 Nm (M16 Plug connector)
- Cable: Refer to cable specification for detailed data

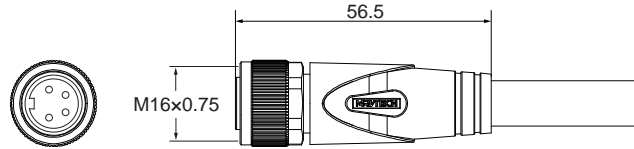
Key Commercial Data

- Packing unit: 1PCS/Bag
Small package (200x150x100) , Medium (330x250x150) , Large (400x300x230) mm

Type No.	ID No.	Length	Angle	Current	Voltage	Wire gauge	Pinout	Wire colors
DF6-2/C00	10160024	2M	Straight	7A	300V	6x0.75 (6x18AWG) Black PVC, OD=7.5 No.: 19800160		1 = BN 2 = WH 3 = BU 4 = BK 5 = GY 6 = PK
DF6-5/C00	10160025	5M						
DF6-10/C00	10160026	10M						
DF8-2/C00	10160027	2M	Straight	7A	125V	8x0.75 (8x18AWG) Black PVC, OD=8.5 No.: 19800161		1 = WH 2 = BN 3 = GN 4 = YE 5 = GY 6 = PK 7 = BU 8 = RD
DF8-5/C00	10160028	5M						
DF8-10/C00	10160029	10M						
DF14.8-2/C00	10160030	2M	Straight	3A	30V	2x0.5+6x0.25 (2x20+6x24AWG) Black PVC, OD=8.0 No.: 19800162		A = BN G = PK J = GN L = BU M = short connect with A P = WH R = RD S = GY T = YE U = short connect with L
DF14.8-5/C00	10160031	5M						
DF14.8-10/C00	10160032	10M						

* Standard cable lengths are 2/5/10M, Consult factory for other lengths. Optional cable C00: fixed installation of PVC, C10: fixed installation of oil-resistant PUR, C13: drag chain installation of PUR. *

M16 Female, Pre-moulding connector, Anti-vibration



Technical data

- Plug body: TPU/Yellow
- Coupling nut: Zinc/Nickel-plated
- Contact carrier: TPU/Black
- Pin: Brass/Gold-plated
- O-ring: FPM/FKM
- Insulation resistance: $\geq 100M\Omega$
- Forward resistance: $\leq 5m\Omega$
- Degree of pollution: 3
- Ambient temperature: $-25\sim +85^{\circ}C$
- Degree of protection: IP67
- Plug: M16x0.75
- Insertion/withdrawal cycles: ≥ 100
- Torque: 1.5 Nm (M16 Plug connector)
- Cable: Refer to cable specification for detailed data

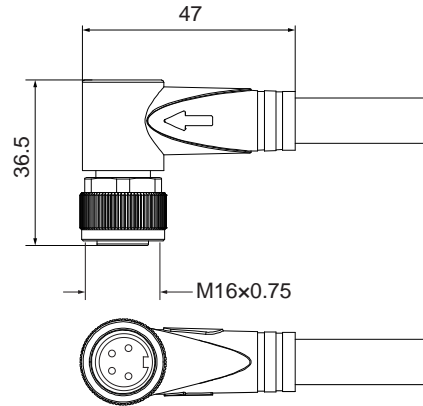
Key Commercial Data

- Packing unit: 1PCS/Bag
- Small package (200x150x100) , Medium (330x250x150) , Large (400x300x230) mm

Type No.	ID No.	Length	Angle	Current	Voltage	Wire gauge	Pinout	Wire colors
DF14.10-2/C00	10160033	2M	Straight	3A	30V	2x0.5+8x0.25 (2x20+8x24AWG) Black PVC, OD=8.0 No.: 19800163		A = BN E = BK G = PK J = GN L = BU M = short connect with A O = VT P = WH R = RD S = GY T = YE U = short connect with L
DF14.10-5/C00	10160034	5M						
DF14.10-10/C00	10160035	10M						
DF14-2/C00	10160036	2M	Straight	3A	30V	14x0.25 (14x24AWG) Black PVC, OD=7.6 No.: 19800164		A = BN C = RD/BU E = BK G = PK J = GN L = BU M = OR N = GY/BN O = VT P = WH R = RD S = GY T = YE U = GY/PK
DF14-5/C00	10160037	5M						
DF14-10/C00	10160038	10M						

* Standard cable lengths are 2/5/10M, Consult factory for other lengths. Optional cable C00: fixed installation of PVC, C10: fixed installation of oil-resistant PUR, C13: drag chain installation of PUR. *

M16 Right angle Female, Pre-moulding connector, Anti-vibration



Technical data

- Plug body: TPU/Yellow
- Coupling nut: Zinc/Nickel-plated
- Contact carrier: TPU/Black
- Pin: Brass/Gold-plated
- O-ring: FPM/FKM
- Insulation resistance: $\geq 100M\Omega$
- Forward resistance: $\leq 5m\Omega$
- Degree of pollution: 3
- Ambient temperature: $-25\sim +85^{\circ}C$
- Degree of protection: IP67
- Plug: M16x0.75
- Insertion/withdrawal cycles: ≥ 100
- Torque: 1.5 Nm (M16 Plug connector)
- Cable: Refer to cable specification for detailed data

Key Commercial Data

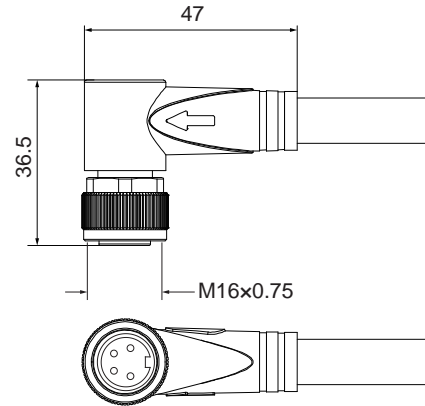
- Packing unit: 1PCS/Bag
Small package (200x150x100) , Medium (330x250x150) , Large (400x300x230) mm

Type No.	ID No.	Length	Angle	Current	Voltage	Wire gauge	Pinout	Wire colors
DWF3-2/C00	10160006	2M	Right angle	15A	600V	3x2.5 (3x14AWG) Black PVC, OD=9.6 No.: 19800156		1 = WH 2 = GN 3 = BK
DWF3-5/C00	10160007	5M						
DWF3-10/C00	10160008	10M						
DWF4-2/C00	10160009	2M	Right angle	15A	600V	4x2.5 (4x16AWG) Black PVC, OD=10 No.: 19800157		1 = WH 2 = GN 3 = BK 4 = RD
DWF4-5/C00	10160010	5M						
DWF4-10/C00	10160011	10M						

* Standard cable lengths are 2/5/10M, Consult factory for other lengths. Optional cable C00: fixed installation of PVC, C10: fixed installation of oil-resistant PUR, C13: drag chain installation of PUR. *

M8 M12 7/8" M16 M23 Profibus-DP E-Net & P-Net 分支器&分线盒 阀式连接器 DeviceNet CC-LINK

M16 Right angle Female, Pre-moulding connector, Anti-vibration



Technical data

- Plug body: TPU/Yellow
- Coupling nut: Zinc/Nickel-plated
- Contact carrier: TPU/Black
- Pin: Brass/Gold-plated
- O-ring: FPM/FKM
- Insulation resistance: $\geq 100M\Omega$
- Forward resistance: $\leq 5m\Omega$
- Degree of pollution: 3
- Ambient temperature: $-25\sim +85^{\circ}C$
- Degree of protection: IP67
- Plug: M16x0.75
- Insertion/withdrawal cycles: ≥ 100
- Torque: 1.5 Nm (M16 Plug connector)
- Cable: Refer to cable specification for detailed data

Key Commercial Data

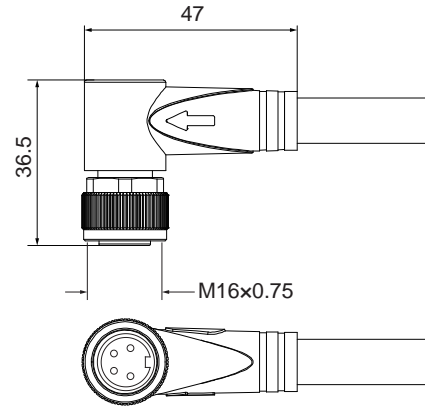
- Packing unit: 1PCS/Bag
- Small package (200x150x100) , Medium (330x250x150) , Large (400x300x230) mm

Type No.	ID No.	Length	Angle	Current	Voltage	Wire gauge	Pinout	Wire colors
DWF6-2/C00	10160039	2M	Right angle	7A	300V	6x0.75 (6x18AWG) Black PVC, OD=7.5 No.: 19800160		1 = BN 2 = WH 3 = BU 4 = BK 5 = GY 6 = PK
DWF6-5/C00	10160040	5M						
DWF6-10/C00	10160041	10M						
DWF8-2/C00	10160042	2M	Right angle	7A	125V	8x0.75 (8x18AWG) Black PVC, OD=8.5 No.: 19800161		1 = WH 2 = BN 3 = GN 4 = YE 5 = GY 6 = PK 7 = BU 8 = RD
DWF8-5/C00	10160043	5M						
DWF8-10/C00	10160044	10M						
DWF14.8-2/C00	10160045	2M	Right angle	3A	30V	2x0.5+6x0.25 (2x20+6x24AWG) Black PVC, OD=8.0 No.: 19800162		A = BN G = PK J = GN L = BU M = short connect with A P = WH R = RD S = GY T = YE U = short connect with L
DWF14.8-5/C00	10160046	5M						
DWF14.8-10/C00	10160047	10M						

* Standard cable lengths are 2/5/10M, Consult factory for other lengths. Optional cable C00: fixed installation of PVC, C10: fixed installation of oil-resistant PUR, C13: drag chain installation of PUR. *

M16 7/8" M12 M8 CC-LINK Profibus-DP E-Net & P-Net 分支器及分线盒 阀式连接器

M16 Right angle Female, Pre-moulding connector, Anti-vibration



Technical data

- Plug body: TPU/Yellow
- Coupling nut: Zinc/Nickel-plated
- Contact carrier: TPU/Black
- Pin: Brass/Gold-plated
- O-ring: FPM/FKM
- Insulation resistance: $\geq 100M\Omega$
- Forward resistance: $\leq 5m\Omega$
- Degree of pollution: 3
- Ambient temperature: $-25\sim +85^{\circ}C$
- Degree of protection: IP67
- Plug: M16x0.75
- Insertion/withdrawal cycles: ≥ 100
- Torque: 1.5 Nm (M16 Plug connector)
- Cable: Refer to cable specification for detailed data

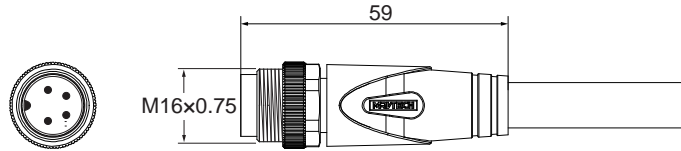
Key Commercial Data

- Packing unit: 1PCS/Bag
Small package (200x150x100) , Medium (330x250x150) , Large (400x300x230) mm

Type No.	ID No.	Length	Angle	Current	Voltage	Wire gauge	Pinout	Wire colors
DWF14.10-2/C00	10160048	2M	Right angle	3A	30V	2x0.5+8x0.25 (2x20+8x24AWG) Black PVC, OD=8.0 No.: 19800163		A = BN E = BK G = PK J = GN L = BU M = short connect with A O = VT P = WH R = RD S = GY T = YE U = short connect with L
DWF14.10-5/C00	10160049	5M						
DWF14.10-10/C00	10160050	10M						
DWF14-2/C00	10160051	2M	Right angle	3A	30V		A = BN C = RD/BU E = BK G = PK J = GN L = BU M = OR N = GY/BN O = VT P = WH R = RD S = GY T = YE U = GY/PK	
DWF14-5/C00	10160052	5M						
DWF14-10/C00	10160053	10M						

* Standard cable lengths are 2/5/10M, Consult factory for other lengths. Optional cable C00: fixed installation of PVC, C10: fixed installation of oil-resistant PUR, C13: drag chain installation of PUR. *

M16 Male, Pre-moulding connector, Anti-vibration



Technical data

- Plug body: TPU/Yellow
- Coupling nut: Zinc/Nickel-plated
- Contact carrier: TPU/Black
- Pin: Brass/Gold-plated
- O-ring: FPM/FKM
- Insulation resistance: $\geq 100M\Omega$
- Forward resistance: $\leq 5m\Omega$
- Degree of pollution: 3
- Ambient temperature: $-25\sim +85^{\circ}C$
- Degree of protection: IP67
- Plug: M16x0.75
- Insertion/withdrawal cycles: ≥ 100
- Torque: 1.5 Nm (M16 Plug connector)
- Cable: Refer to cable specification for detailed data

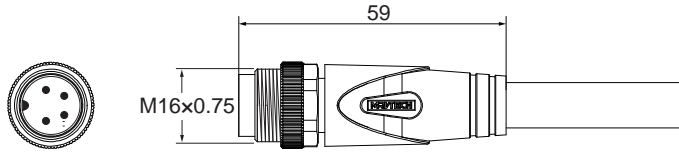
Key Commercial Data

- Packing unit: 1PCS/Bag
- Small package (200x150x100) , Medium (330x250x150) , Large (400x300x230) mm

Type No.	ID No.	Length	Angle	Current	Voltage	Wire gauge	Pinout	Wire colors
DM3-2/C00	10160012	2M	Straight	15A	600V	3x2.5 (3x14AWG) Black PVC, OD=9.6 No.: 19800156		1 = WH 2 = GN 3 = BK
DM3-5/C00	10160013	5M						
DM3-10/C00	10160014	10M						
DM4-2/C00	10160015	2M	Straight	15A	600V	4x2.5 (4x16AWG) Black PVC, OD=10 No.: 19800157		1 = WH 2 = GN 3 = BK 4 = RD
DM4-5/C00	10160016	5M						
DM4-10/C00	10160017	10M						

* Standard cable lengths are 2/5/10M, Consult factory for other lengths. Optional cable C00: fixed installation of PVC, C10: fixed installation of oil-resistant PUR, C13: drag chain installation of PUR. *

M16 Male, Pre-moulding connector, Anti-vibration



Technical data

- Plug body: TPU/Yellow
- Coupling nut: Zinc/Nickel-plated
- Contact carrier: TPU/Black
- Pin: Brass/Gold-plated
- O-ring: FPM/FKM
- Insulation resistance: $\geq 100M\Omega$
- Forward resistance: $\leq 5m\Omega$
- Degree of pollution: 3
- Ambient temperature: $-25\sim +85^{\circ}C$
- Degree of protection: IP67
- Plug: M16x0.75
- Insertion/withdrawal cycles: ≥ 100
- Torque: 1.5 Nm (M16 Plug connector)
- Cable: Refer to cable specification for detailed data

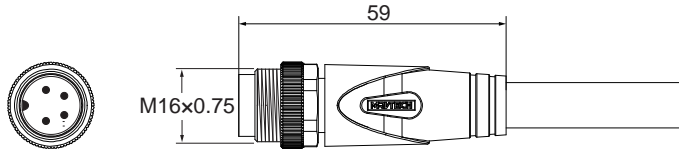
Key Commercial Data

- Packing unit: 1PCS/Bag
Small package (200x150x100) , Medium (330x250x150) , Large (400x300x230) mm

Type No.	ID No.	Length	Angle	Current	Voltage	Wire gauge	Pinout	Wire colors
DM6-2/C00	10160054	2M	Straight	7A	300V	6x0.75 (6x18AWG) Black PVC, OD=7.5 No.: 19800160		1 = BN 2 = WH 3 = BU 4 = BK 5 = GY 6 = PK
DM6-5/C00	10160055	5M						
DM6-10/C00	10160056	10M						
DM8-2/C00	10160057	2M	Straight	7A	125V	8x0.75 (8x18AWG) Black PVC, OD=8.5 No.: 19800161		1 = WH 2 = BN 3 = GN 4 = YE 5 = GY 6 = PK 7 = BU 8 = RD
DM8-5/C00	10160058	5M						
DM8-10/C00	10160059	10M						
DM14.8-2/C00	10160060	2M	Straight	3A	30V	2x0.5+6x0.25 (2x20+6x24AWG) Black PVC, OD=8.0 No.: 19800162		A = BN G = PK J = GN L = BU M = short connect with A P = WH R = RD S = GY T = YE U = short connect with L
DM14.8-5/C00	10160061	5M						
DM14.8-10/C00	10160062	10M						

* Standard cable lengths are 2/5/10M, Consult factory for other lengths. Optional cable C00: fixed installation of PVC, C10: fixed installation of oil-resistant PUR, C13: drag chain installation of PUR. *

M16 Male, Pre-moulding connector, Anti-vibration



Technical data

- Plug body: TPU/Yellow
- Coupling nut: Zinc/Nickel-plated
- Contact carrier: TPU/Black
- Pin: Brass/Gold-plated
- O-ring: FPM/FKM
- Insulation resistance: $\geq 100M\Omega$
- Forward resistance: $\leq 5m\Omega$
- Degree of pollution: 3
- Ambient temperature: $-25\sim +85^{\circ}C$
- Degree of protection: IP67
- Plug: M16x0.75
- Insertion/withdrawal cycles: ≥ 100
- Torque: 1.5 Nm (M16 Plug connector)
- Cable: Refer to cable specification for detailed data

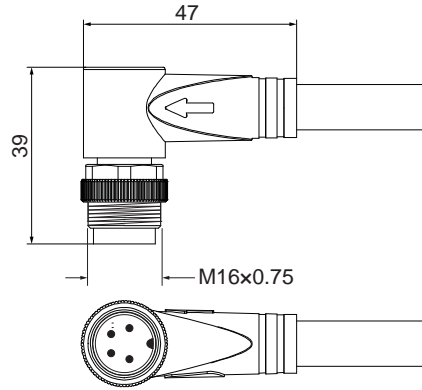
Key Commercial Data

- Packing unit: 1PCS/Bag
Small package (200x150x100) , Medium (330x250x150) , Large (400x300x230) mm

Type No.	ID No.	Length	Angle	Current	Voltage	Wire gauge	Pinout	Wire colors
DM14.10-2/C00	10160063	2M	Straight	3A	30V	2x0.5+8x0.25 (2x20+8x24AWG) Black PVC, OD=8.0 No.: 19800163		A = BN E = BK G = PK J = GN L = BU M = short connect with A O = VT P = WH R = RD S = GY T = YE U = short connect with L
DM14.10-5/C00	10160064	5M						
DM14.10-10/C00	10160065	10M						
DM14-2/C00	10160066	2M	Straight	3A	30V	14x0.25 (14x24AWG) Black PVC, OD=7.6 No.: 19800164		A = BN C = RD/BU E = BK G = PK J = GN L = BU M = OR N = GY/BN O = VT P = WH R = RD S = GY T = YE U = GY/PK
DM14-5/C00	10160067	5M						
DM14-10/C00	10160068	10M						

* Standard cable lengths are 2/5/10M, Consult factory for other lengths. Optional cable C00: fixed installation of PVC, C10: fixed installation of oil-resistant PUR, C13: drag chain installation of PUR. *

M16 Right angle Male, Pre-moulding connector, Anti-vibration



Technical data

- Plug body: TPU/Yellow
- Coupling nut: Zinc/Nickel-plated
- Contact carrier: TPU/Black
- Pin: Brass/Gold-plated
- O-ring: FPM/FKM
- Insulation resistance: $\geq 100M\Omega$
- Forward resistance: $\leq 5m\Omega$
- Degree of pollution: 3
- Ambient temperature: $-25\sim +85^{\circ}C$
- Degree of protection: IP67
- Plug: M16x0.75
- Insertion/withdrawal cycles: ≥ 100
- Torque: 1.5 Nm (M16 Plug connector)
- Cable: Refer to cable specification for detailed data

Key Commercial Data

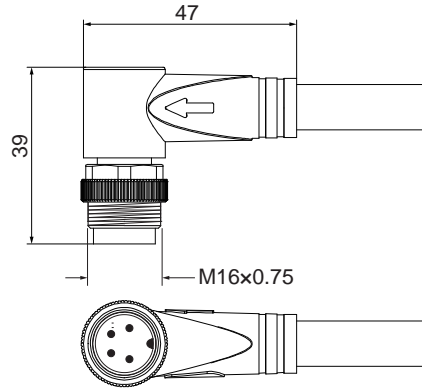
- Packing unit: 1PCS/Bag
Small package (200x150x100) , Medium (330x250x150) , Large (400x300x230) mm

Type No.	ID No.	Length	Angle	Current	Voltage	Wire gauge	Pinout	Wire colors
DWM3-2/C00	10160018	2M	Right angle	15A	600V	3x2.5 (3x14AWG) Black PVC, OD=9.6 No.: 19800156		1 = WH 2 = GN 3 = BK
DWM3-5/C00	10160019	5M						
DWM3-10/C00	10160020	10M						
DWM4-2/C00	10160021	2M	Right angle	15A	600V	4x2.5 (4x16AWG) Black PVC, OD=10 No.: 19800157		1 = WH 2 = GN 3 = BK 4 = RD
DWM4-5/C00	10160022	5M						
DWM4-10/C00	10160023	10M						

* Standard cable lengths are 2/5/10M, Consult factory for other lengths. Optional cable C00: fixed installation of PVC, C10: fixed installation of oil-resistant PUR, C13: drag chain installation of PUR. *

M8
M12
7/8"
M16
M23
E-Net & P-Net
分支器 & 分线盒
阀式连接器
Profibus-DP
DeviceNet
CC-LINK

M16 Right angle Male, Pre-moulding connector, Anti-vibration



Technical data

- Plug body: TPU/Yellow
- Coupling nut: Zinc/Nickel-plated
- Contact carrier: TPU/Black
- Pin: Brass/Gold-plated
- O-ring: FPM/FKM
- Insulation resistance: $\geq 100M\Omega$
- Forward resistance: $\leq 5m\Omega$
- Degree of pollution: 3
- Ambient temperature: $-25\sim +85^{\circ}C$
- Degree of protection: IP67
- Plug: M16x0.75
- Insertion/withdrawal cycles: ≥ 100
- Torque: 1.5 Nm (M16 Plug connector)
- Cable: Refer to cable specification for detailed data

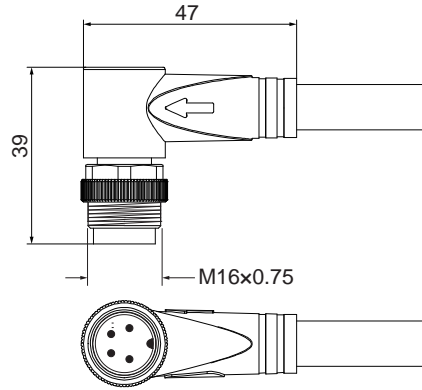
Key Commercial Data

- Packing unit: 1PCS/Bag
- Small package (200x150x100) , Medium (330x250x150) , Large (400x300x230) mm

Type No.	ID No.	Length	Angle	Current	Voltage	Wire gauge	Pinout	Wire colors
DWM6-2/C00	10160069	2M	Right angle	7A	300V	6x0.75 (6x18AWG) Black PVC, OD=7.5 No.: 19800160		1 = BN 2 = WH 3 = BU 4 = BK 5 = GY 6 = PK
DWM6-5/C00	10160070	5M						
DWM6-10/C00	10160071	10M						
DWM8-2/C00	10160072	2M	Right angle	7A	125V	8x0.75 (8x18AWG) Black PVC, OD=8.5 No.: 19800161		1 = WH 2 = BN 3 = GN 4 = YE 5 = GY 6 = PK 7 = BU 8 = RD
DWM8-5/C00	10160073	5M						
DWM8-10/C00	10160074	10M						
DWM14.8-2/C00	10160075	2M	Right angle	3A	30V	2x0.5+6x0.25 (2x20+6x24AWG) Black PVC, OD=8.0 No.: 19800162		A = BN G = PK J = GN L = BU M = short connect with A P = WH R = RD S = GY T = YE U = short connect with L
DWM14.8-5/C00	10160076	5M						
DWM14.8-10/C00	10160077	10M						

* Standard cable lengths are 2/5/10M, Consult factory for other lengths. Optional cable C00: fixed installation of PVC, C10: fixed installation of oil-resistant PUR, C13: drag chain installation of PUR. *

M16 Right angle Male, Pre-moulding connector, Anti-vibration



Technical data

- Plug body: TPU/Yellow
- Coupling nut: Zinc/Nickel-plated
- Contact carrier: TPU/Black
- Pin: Brass/Gold-plated
- O-ring: FPM/FKM
- Insulation resistance: $\geq 100M\Omega$
- Forward resistance: $\leq 5m\Omega$
- Degree of pollution: 3
- Ambient temperature: $-25\sim+85^{\circ}C$
- Degree of protection: IP67
- Plug: M16x0.75
- Insertion/withdrawal cycles: ≥ 100
- Torque: 1.5 Nm (M16 Plug connector)
- Cable: Refer to cable specification for detailed data

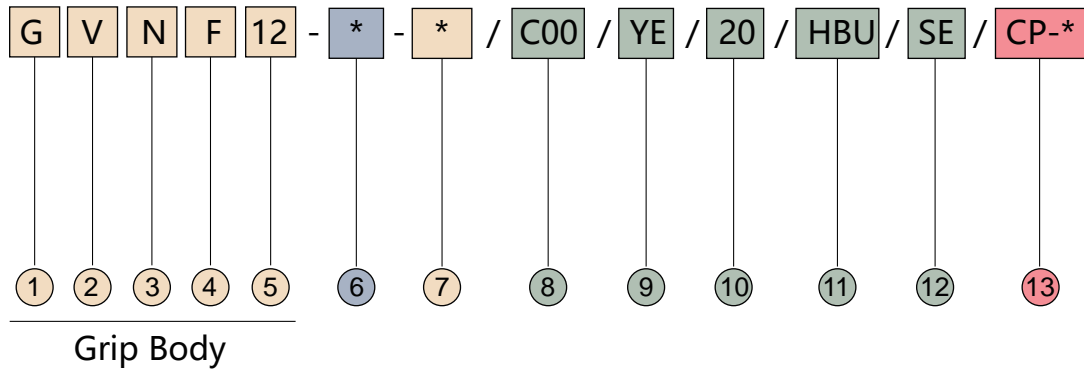
Key Commercial Data

- Packing unit: 1PCS/Bag
Small package (200x150x100) , Medium (330x250x150) , Large (400x300x230) mm

Type No.	ID No.	Length	Angle	Current	Voltage	Wire gauge	Pinout	Wire colors
DWM14.10-2/C00	10160078	2M	Right angle	3A	30V	2x0.5+8x0.25 (2x20+8x24AWG) Black PVC, OD=8.0 No.: 19800163		A = BN E = BK G = PK J = GN L = BU M = short connect with A O = VT P = WH R = RD S = GY T = YE U = short connect with L
DWM14.10-5/C00	10160079	5M						
DM14.10-10/C00	10160080	10M						
DWM14-2/C00	10160081	2M	Right angle	3A	30V	14x0.25 (14x24AWG) Black PVC, OD=7.6 No.: 19800164		A = BN C = RD/BU E = BK G = PK J = GN L = BU M = OR N = GY/BN O = VT P = WH R = RD S = GY T = YE U = GY/PK
DWM14-5/C00	10160082	5M						
DWM14-10/C00	10160083	10M						

* Standard cable lengths are 2/5/10M, Consult factory for other lengths. Optional cable C00: fixed installation of PVC, C10: fixed installation of oil-resistant PUR, C13: drag chain installation of PUR. *

M23 CONNECTOR



- | | |
|---|--|
| <p>① G = M23, Straight
GW = M23, Right angle</p> <p>② Blank = Zinc die-cast, nickel-plated
V = Stainless steel nut
P = Plastic nut</p> <p>③ N = Internal thread (nut)
S = External thread (screw)
NQ = Snap nut
SQ = Snap fastener screw</p> <p>④ M = Male
F = Female</p> <p>⑤ Number of pins
Contact distribution</p> <p>⑥ Length(M)
Can be customized
With 0.1M as increment
The shortest length is 0.2M.</p> <p>⑦ Blank = Single-ended
Double-ended = part number key refer to "Grip Body"</p> <p>⑧ Reference cable code</p> | <p>⑨ Color of cable
Blank = Standard color
Customized cable color
YE = Yellow
GY = Gray</p> <p>⑩ Wire gauge
Blank = Standard wire gauge
Customized wire gauge
24 24AWG: 0.25 mm²
22 22AWG: 0.34 mm²
....</p> <p>⑪ Color of plug body
Blank = Standard color (Yellow)
Customized plug body color
HBK Black
HBU Blue</p> <p>⑫ Blank = Standard stitching direction
SE = Servo encoder stitching direction</p> <p>⑬ Customized products
* = Customized code</p> |
|---|--|

M8

M12

7/8"

M16

M23

阀式连接器

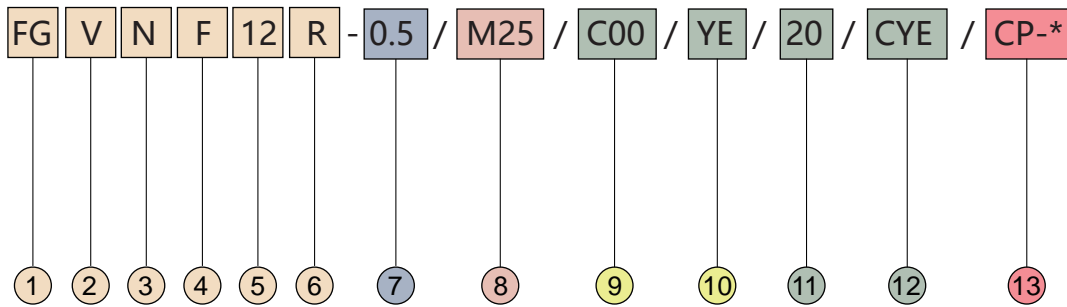
分支器&分线盒

E-Net & P-Net

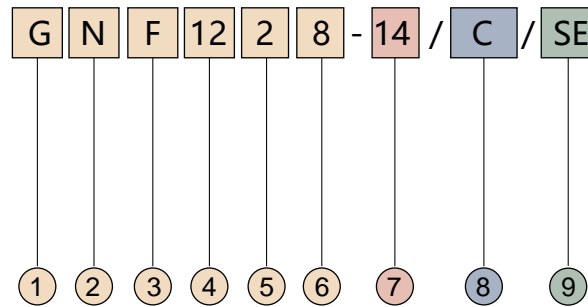
Profibus-DP

DeviceNet

CC-LINK



- ① M23 Receptacle connector
- ② Blank = Zinc die-cast, nickel-plated
V = Stainless steel nut
P = Plastic nut
- ③ N = Internal thread (nut)
S = External thread (screw)
NQ = Snap nut
SQ = Snap fastener screw
- ④ M = Male
F = Female
- ⑤ Number of pins
Contact distribution
- ⑥ R = Rear mounting
F = Front mounting
A = Adjustable length and socket angle
M = Front mount, rotating coupling nut
- ⑦ Cable Length(M)
0.5 = Cable length 0.5M
Can be customized
L = Solder cup
C = Crimp connection
P = PCB pins one-piece
- ⑧ Mounting thread
Blank = M20×1.5
M25 = M25×1.5
RS19.8 = Flange hole spacing of square plate 19.8mm
RS22.6 = Flange hole spacing of square plate 22.6mm
- ⑨ Reference cable code
Blank = Non Pre-moulding connector
- ⑩ Color of cable jacket
Blank = Standard color
Item 9 can only be defined when item 8 is selected
- ⑪ Wire gauge
Blank = Standard wire gauge
Customized wire gauge
24 24AWG: 0.25 mm²
22 22AWG: 0.34 mm²
....
- ⑫ Color of contact carrier
Blank = Standard color (Black)
CYE = Yellow contact carrier
CGN = Green contact carrier
CVT = Violet contact carrier
- ⑬ Customized products
* = Customized code



- ① G = M23, Straight
GW = M23, Right angle
- ② N = Internal thread (nut)
S = External thread (screw)
NQ = Snap nut
SQ = Snap fastener screw
- ③ M = Male
F = Female
- ④ Number of pins
Contact distribution
- ⑤ 1 = Ag plated brass
2 = Au plated brass
- ⑥ Housing material
8 = Metal housing
9 = Stainless steel housing
- ⑦ Cable Installation Dimensions
10 = 8~10 mm
(Acceptable cable diameter 8-10 mm)
14 = 10~14 mm
(Acceptable cable diameter 10-14 mm)
- ⑧ Connection cable
Blank = Screw connection
C = Crimp connection
C1 = Crimp connection core range 0.75~1.5
C2 = Crimp connection core range 2.5~4
L = Solder connection
P = Piercecon connection
S = Spring clamp connection
IDC = Insulation displacement contact
- ⑨ Blank = Standard stitching
direction
SE = Servo encoder stitching
direction

M8

M12

7/8"

M16

M23

阀式连接器

分支器&分线盒

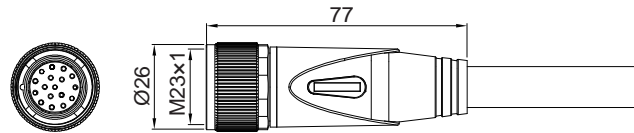
E-Net & P-Net

Profibus-DP

DeviceNet

CC-LINK

M23 Internal thread, Female, Pre-moulding connector



Technical data

- Plug body: TPU/Yellow
- Coupling nut: Zinc/Nickel-plated
- Contact carrier: PA66/White
- Pin: Brass/Gold-plated
- O-ring: FPM/FKM
- Insulation resistance: $\geq 100M\Omega$
- Forward resistance: $\leq 5m\Omega$
- Degree of pollution: 3
- Ambient temperature: $-25\sim +85^{\circ}C$
- Degree of protection: IP67
- Plug: M23x1
- Insertion/withdrawal cycles: ≥ 100
- Torque: 2 Nm (M23 Plug connector)
- Cable: Refer to cable specification for detailed data

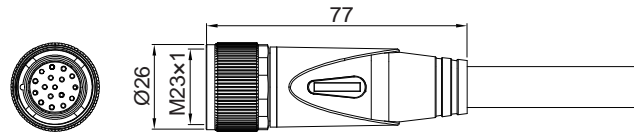
Key Commercial Data

- Packing unit: 1PCS/Bag
- Small package (200×150×100) , Medium (330×250×150) , Large (400×300×230) mm

Type No.	ID No.	Length	Angle	Current	Voltage	Wire gauge	Pinout	Wire colors
GNF12.7-2/C00	10230001	2M	Straight	9A	150V	3×0.75+4×0.34 (3×18+4×22AWG) Black PVC, OD=7.4 No.: 19800232	 <small>Note: Suitable for M12, 4 branch box (Single signal)</small>	1 = WH 2 = GN 3 = YE 4 = GY 9 = BU 10 = short connect with 9 11 = BN 12 = GN/YE
GNF12.7-5/C00	10230002	5M						
GNF12.7-10/C00	10230003	10M						
GNF12.9-2/C00	10230004	2M	Straight	9A	150V	3×0.75+6×0.34 (3×18+6×22AWG) Black PVC, OD=8.5 No.: 19800233	 <small>Note: Suitable for M12, 6 branch box (Single signal)</small>	1 = WH 2 = GN 3 = YE 4 = GY 5 = PK 6 = RD 9 = BU 10 = short connect with 9 11 = BN 12 = GN/YE
GNF12.9-5/C00	10230005	5M						
GNF12.9-10/C00	10230006	10M						

* M23 pre-moulding, Standard cable lengths are 2/5/10M, Consult factory for other lengths. *

M23 Internal thread, Female, Pre-moulding connector



Technical data

- Plug body: TPU/Yellow
- Coupling nut: Zinc/Nickel-plated
- Contact carrier: PA66/White
- Pin: Brass/Gold-plated
- O-ring: FPM/FKM
- Insulation resistance: $\geq 100M\Omega$
- Forward resistance: $\leq 5m\Omega$
- Degree of pollution: 3
- Ambient temperature: $-25\sim+85^{\circ}C$
- Degree of protection: IP67
- Plug: M23x1
- Insertion/withdrawal cycles: ≥ 100
- Torque: 2 Nm (M23 Plug connector)
- Cable: Refer to cable specification for detailed data

Key Commercial Data

- Packing unit: 1PCS/Bag
Small package (200x150x100) , Medium (330x250x150) , Large (400x300x230) mm

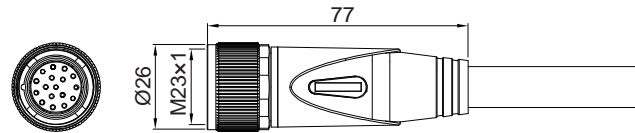
Type No.	ID No.	Length	Angle	Current	Voltage	Wire gauge	Pinout	Wire colors
GNF12.11-2/C00	10230007	2M	Straight	9A	150V	3x0.75+8x0.34 (3x18+8x22AWG) Black PVC, OD=8.5 No.: 19800234	 <small>Note: Suitable for M12, 8 branch box (Single signal)</small>	1 = WH 2 = GN 3 = YE 4 = GY 5 = PK 6 = RD 7 = BK 8 = VT 9 = BU 10 = short connect with 9 11 = BN 12 = GN/YE
GNF12.11-5/C00	10230008	5M						
GNF12.11-10/C00	10230009	10M						
GNF12-2/C00	10230010	2M	Straight	9A	150V	12x0.75 (12x18AWG) Black PVC, OD=10.0 No.: 19800235	 <small>Note: Suitable for M12, 8 branch box (Single signal)</small>	1 = BN 2 = BU 3 = WH 4 = GN/YE 5 = OG 6 = YE 7 = GY 8 = PK 9 = RD 10 = BN/WH 11 = BU/WH 12 = GN/WH
GNF12-5/C00	10230011	5M						
GNF12-10/C00	10230012	10M						

* M23 pre-moulding, Standard cable lengths are 2/5/10M, Consult factory for other lengths. *

M8
M12
7/8"
M16
M23

CC-LINK
DeviceNet
Profibus-DP
E-Net & P-Net
分支器&分线盒
阀式连接器

M23 Internal thread, Female, Pre-moulding connector



Technical data

- Plug body: TPU/Yellow
- Coupling nut: Zinc/Nickel-plated
- Contact carrier: TPU/White
- Pin: Brass/Gold-plated
- O-ring: FPM/FKM
- Insulation resistance: $\geq 100M\Omega$
- Forward resistance: $\leq 5m\Omega$
- Degree of pollution: 3
- Ambient temperature: $-25\sim +85^{\circ}C$
- Degree of protection: IP67
- Plug: M23x1
- Insertion/withdrawal cycles: ≥ 100
- Torque: 2 Nm (M23 Plug connector)
- Cable: Refer to cable specification for detailed data

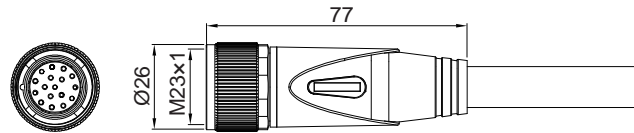
Key Commercial Data

- Packing unit: 1PCS/Bag
- Small package (200x150x100) , Medium (330x250x150) , Large (400x300x230) mm

Type No.	ID No.	Length	Angle	Current	Voltage	Wire gauge	Pinout	Wire colors
GNF17-2/C00	10230049	2M	Straight	9A	150V	3x0.75+16x0.34 (3x18+16x22AWG) Black PVC, OD=10.0 No.: 19800244 Cut out VT,GY/BN and use		1 = BU 2 = RD 3 = BN 4 = GY 5 = GN/YE 6 = RD/BU 7 = GN 8 = GY/PK 9 = WH/GN 10 = WH/YE 11 = WH/GY 12 = BK 13 = YE/BN 14 = BN/GN 15 = WH 16 = YE 17 = PK
GNF17-5/C00	10230050	5M						
GNF17-10/C00	10230051	10M						

* M23 pre-moulding, Standard cable lengths are 2/5/10M, Consult factory for other lengths. *

M23 Internal thread, Female, Pre-moulding connector



Technical data

- Plug body: TPU/Yellow
- Coupling nut: Zinc/Nickel-plated
- Contact carrier: TPU/White
- Pin: Brass/Gold-plated
- O-ring: FPM/FKM
- Insulation resistance: $\geq 100M\Omega$
- Forward resistance: $\leq 5m\Omega$
- Degree of pollution: 3
- Ambient temperature: $-25\sim +85^{\circ}C$
- Degree of protection: IP67
- Plug: M23x1
- Insertion/withdrawal cycles: ≥ 100
- Torque: 2 Nm (M23 Plug connector)
- Cable: Refer to cable specification for detailed data

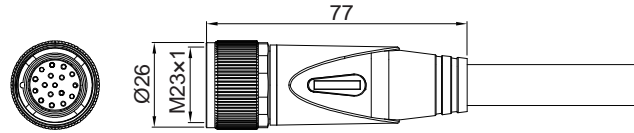
Key Commercial Data

- Packing unit: 1PCS/Bag
- Small package (200x150x100) , Medium (330x250x150) , Large (400x300x230) mm

Type No.	ID No.	Length	Angle	Current	Voltage	Wire gauge	Pinout	Wire colors
GNF19.11-2/C00	10230061	2M	Straight	9A	150V	3x0.75+8x0.34 (3x18+8x22AWG) Black PVC, OD=8.5 No.: 19800246	<p>Note: Suitable for M12, 4 branch box (Double signal)</p>	3 = GY
GNF19.11-5/C00	10230062	5M						4 = RD/BU
GNF19.11-10/C00	10230063	10M						5 = GN
GNF19.14-2/C00	10230073	2M	Straight	6A	150V	<p>Note: Suitable for M8, 12 branch box (Double signal)</p>	1 = WH	
GNF19.14-5/C00	10230074	5M					2 = GN	
GNF19.14-10/C00	10230075	10M					3 = YE	

* M23 pre-moulding, Standard cable lengths are 2/5/10M, Consult factory for other lengths. *

M23 Internal thread, Female, Pre-moulding connector



Technical data

- Plug body: TPU/Yellow
- Coupling nut: Zinc/Nickel-plated
- Contact carrier: TPU/White
- Pin: Brass/Gold-plated
- O-ring: FPM/FKM
- Insulation resistance: $\geq 100M\Omega$
- Forward resistance: $\leq 5m\Omega$
- Degree of pollution: 3
- Ambient temperature: $-25\sim +85^{\circ}C$
- Degree of protection: IP67
- Plug: M23x1
- Insertion/withdrawal cycles: ≥ 100
- Torque: 2 Nm (M23 Plug connector)
- Cable: Refer to cable specification for detailed data

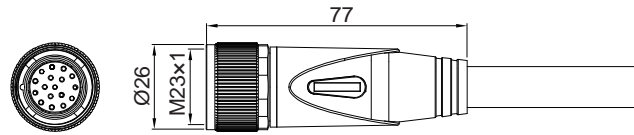
Key Commercial Data

- Packing unit: 1PCS/Bag
- Small package (200x150x100) , Medium (330x250x150) , Large (400x300x230) mm

Type No.	ID No.	Length	Angle	Current	Voltage	Wire gauge	Pinout	Wire colors
GNF19.15-2/C00	10230085	2M	Straight	9A	150V	3x0.75+12x0.34 (3x18+12x22AWG) Black PVC, OD=8.5 No.: 19800248		2 = RD
GNF19.15-5/C00	10230086	5M						3 = GY
GNF19.15-10/C00	10230087	10M						4 = RD/BU
							<p>Note: Suitable for M12, 6 branch box (Double signal)</p>	5 = GN
								6 = BU
								7 = GY/PK
								8 = WH/GN
								9 = WH/YE
								12 = GN/YE
								13 = YE/BN
								14 = BN/GN
								15 = WH
								16 = YE
								17 = PK
								19 = BN

* M23 pre-moulding, Standard cable lengths are 2/5/10M, Consult factory for other lengths. *

M23 Internal thread, Female, Pre-moulding connector



Technical data

- Plug body: TPU/Yellow
- Coupling nut: Zinc/Nickel-plated
- Contact carrier: TPU/White
- Pin: Brass/Gold-plated
- O-ring: FPM/FKM
- Insulation resistance: $\geq 100M\Omega$
- Forward resistance: $\leq 5m\Omega$
- Degree of pollution: 3
- Ambient temperature: $-25\sim +85^{\circ}C$
- Degree of protection: IP67
- Plug: M23x1
- Insertion/withdrawal cycles: ≥ 100
- Torque: 2 Nm (M23 Plug connector)
- Cable: Refer to cable specification for detailed data

Key Commercial Data

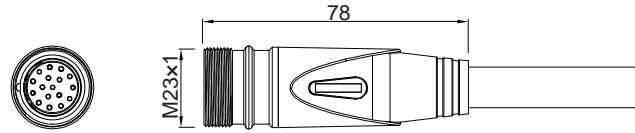
- Packing unit: 1PCS/Bag
Small package (200x150x100) , Medium (330x250x150) , Large (400x300x230) mm

Type No.	ID No.	Length	Angle	Current	Voltage	Wire gauge	Pinout	Wire colors
GNF19-2/C00	10230097	2M	Straight	9A	150V	3x0.75+16x0.34 (3x18+16x22AWG) Black PVC, OD=10.0 No.: 19800244		1 = VT 2 = RD 3 = GY 4 = RD/BU 5 = GN 6 = BU 7 = GY/PK 8 = WH/GN 9 = WH/YE 10 = WH/GY 11 = BK 12 = GN/YE 13 = YE/BN 14 = BN/GN 15 = WH 16 = YE 17 = PK 18 = GY/BN 19 = BN
GNF19-5/C00	10230098	5M						
GNF19-10/C00	10230099	10M						

Note: Suitable for M12, 8 branch box (Double signal)

* M23 pre-moulding, Standard cable lengths are 2/5/10M, Consult factory for other lengths. *

M23 External thread, Female, Pre-moulding connector



Technical data

- Plug body: TPU/Yellow
- Coupling nut: Zinc/Nickel-plated
- Contact carrier: PA66/White
- Pin: Brass/Gold-plated
- O-ring: FPM/FKM
- Insulation resistance: $\geq 100M\Omega$
- Forward resistance: $\leq 5m\Omega$
- Degree of pollution: 3
- Ambient temperature: $-25\sim +85^{\circ}C$
- Degree of protection: IP67
- Plug: M23x1
- Insertion/withdrawal cycles: ≥ 100
- Torque: 2 Nm (M23 Plug connector)
- Cable: Refer to cable specification for detailed data

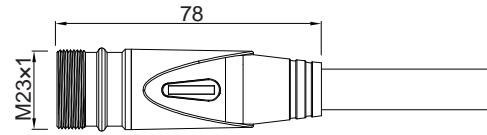
Key Commercial Data

- Packing unit: 1PCS/Bag
Small package (200x150x100) , Medium (330x250x150) , Large (400x300x230) mm

Type No.	ID No.	Length	Angle	Current	Voltage	Wire gauge	Pinout	Wire colors
GSF12.7-2/C00	10230110	2M	Straight	9A	150V	3x0.75+4x0.34 (3x18+4x22AWG) Black PVC, OD=7.4 No.: 19800232		1 = WH
GSF12.7-5/C00	10230111	5M						2 = GN
GSF12.7-10/C00	10230112	10M						3 = YE
GSF12.9-2/C00	10230113	2M	Straight	9A	150V		4 = GY	
GSF12.9-5/C00	10230114	5M					9 = BU	
GSF12.9-10/C00	10230115	10M					10 = short connect with 9	
								11 = BN
								12 = GN/YE

* M23 pre-moulding, Standard cable lengths are 2/5/10M, Consult factory for other lengths. *

M23 External thread, Female, Pre-moulding connector



Technical data

- Plug body: TPU/Yellow
- Coupling nut: Zinc/Nickel-plated
- Contact carrier: PA66/White
- Pin: Brass/Gold-plated
- O-ring: FPM/FKM
- Insulation resistance: $\geq 100M\Omega$
- Forward resistance: $\leq 5m\Omega$
- Degree of pollution: 3
- Ambient temperature: $-25\sim +85^{\circ}C$
- Degree of protection: IP67
- Plug: M23x1
- Insertion/withdrawal cycles: ≥ 100
- Torque: 2 Nm (M23 Plug connector)
- Cable: Refer to cable specification for detailed data

Key Commercial Data

- Packing unit: 1PCS/Bag
Small package (200x150x100) , Medium (330x250x150) , Large (400x300x230) mm

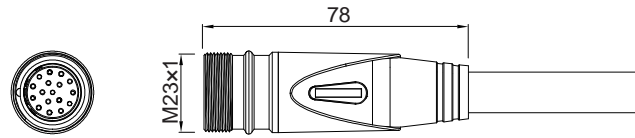
Type No.	ID No.	Length	Angle	Current	Voltage	Wire gauge	Pinout	Wire colors
GSF12.11-2/C00	10230116	2M	Straight	9A	150V	3x0.75+8x0.34 (3x18+8x22AWG) Black PVC, OD=8.5 No.: 19800234		1 = WH
GSF12.11-5/C00	10230117	5M						2 = GN
GSF12.11-10/C00	10230118	10M						3 = YE
GSF12-2/C00	10230119	2M	Straight	9A	150V		4 = GY	
GSF12-5/C00	10230120	5M					5 = PK	
GSF12-10/C00	10230121	10M					6 = RD	
								7 = BK
								8 = VT
								9 = BU
								10 = short connect with 9
								11 = BN
								12 = GN/YE

* M23 pre-moulding, Standard cable lengths are 2/5/10M, Consult factory for other lengths. *

M8 M12 7/8" M16 M23

CC-LINK DeviceNet Profibus-DP E-Net & P-Net 分支器&分线盒 阀式连接器

M23 External thread, Female, Pre-moulding connector



Technical data

- Plug body: TPU/Yellow
- Coupling nut: Zinc/Nickel-plated
- Contact carrier: TPU/White
- Pin: Brass/Gold-plated
- O-ring: FPM/FKM
- Insulation resistance: $\geq 100M\Omega$
- Forward resistance: $\leq 5m\Omega$
- Degree of pollution: 3
- Ambient temperature: $-25\sim +85^{\circ}C$
- Degree of protection: IP67
- Plug: M23x1
- Insertion/withdrawal cycles: ≥ 100
- Torque: 2 Nm (M23 Plug connector)
- Cable: Refer to cable specification for detailed data

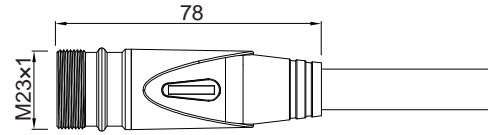
Key Commercial Data

- Packing unit: 1PCS/Bag
- Small package (200x150x100) , Medium (330x250x150) , Large (400x300x230) mm

Type No.	ID No.	Length	Angle	Current	Voltage	Wire gauge	Pinout	Wire colors
GSF17-2/C00	10230122	2M	Straight	9A	150V	3x0.75+16x0.34 (3x18+16x22AWG) Black PVC, OD=10.0 No.: 19800244 Cut out VT,GY/BN and use		1 = BU 2 = RD 3 = BN 4 = GY 5 = GN/YE 6 = RD/BU 7 = GN 8 = GY/PK 9 = WH/GN 10 = WH/YE 11 = WH/GY 12 = BK 13 = YE/BN 14 = BN/GN 15 = WH 16 = YE 17 = PK
GSF17-5/C00	10230123	5M						
GSF17-10/C00	10230124	10M						

* M23 pre-moulding, Standard cable lengths are 2/5/10M, Consult factory for other lengths. *

M23 External thread, Female, Pre-moulding connector



Technical data

- Plug body: TPU/Yellow
- Coupling nut: Zinc/Nickel-plated
- Contact carrier: TPU/White
- Pin: Brass/Gold-plated
- O-ring: FPM/FKM
- Insulation resistance: $\geq 100M\Omega$
- Forward resistance: $\leq 5m\Omega$
- Degree of pollution: 3
- Ambient temperature: $-25\sim+85^{\circ}C$
- Degree of protection: IP67
- Plug: M23x1
- Insertion/withdrawal cycles: ≥ 100
- Torque: 2 Nm (M23 Plug connector)
- Cable: Refer to cable specification for detailed data

Key Commercial Data

- Packing unit: 1PCS/Bag
Small package (200x150x100) , Medium (330x250x150) , Large (400x300x230) mm

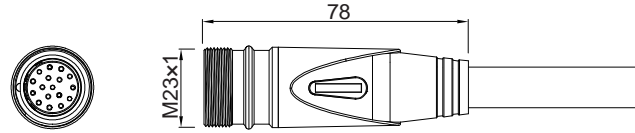
Type No.	ID No.	Length	Angle	Current	Voltage	Wire gauge	Pinout	Wire colors
GSF19.11-2/C00	10230125	2M	Straight	9A	150V	3x0.75+8x0.34 (3x18+8x22AWG) Black PVC, OD=8.5 No.: 19800246		3 = GY
GSF19.11-5/C00	10230126	5M						4 = RD/BU
GSF19.11-10/C00	10230127	10M						5 = GN
GSF19.14-2/C00	10230128	2M	Straight	6A	150V		6 = BU	
GSF19.14-5/C00	10230129	5M					7 = GY/PK	
GSF19.14-10/C00	10230130	10M					8 = WH/GN	
								12 = GN/YE
								14 = BN/GN
								15 = WH
								16 = YE
								19 = BN

* M23 pre-moulding, Standard cable lengths are 2/5/10M, Consult factory for other lengths. *

M8 M12 7/8" M16 M23

CC-LINK DeviceNet Profibus-DP E-Net & P-Net 分支器&分线盒 阀式连接器

M23 External thread, Female, Pre-moulding connector



Technical data

- Plug body: TPU/Yellow
- Coupling nut: Zinc/Nickel-plated
- Contact carrier: TPU/White
- Pin: Brass/Gold-plated
- O-ring: FPM/FKM
- Insulation resistance: $\geq 100M\Omega$
- Forward resistance: $\leq 5m\Omega$
- Degree of pollution: 3
- Ambient temperature: $-25\sim +85^{\circ}C$
- Degree of protection: IP67
- Plug: M23x1
- Insertion/withdrawal cycles: ≥ 100
- Torque: 2 Nm (M23 Plug connector)
- Cable: Refer to cable specification for detailed data

Key Commercial Data

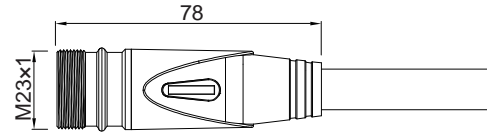
- Packing unit: 1PCS/Bag
Small package (200x150x100) , Medium (330x250x150) , Large (400x300x230) mm

Type No.	ID No.	Length	Angle	Current	Voltage	Wire gauge	Pinout	Wire colors
GSF19.15-2/C00	10230131	2M	Straight	9A	150V	3x0.75+12x0.34 (3x18+12x22AWG) Black PVC, OD=8.5 No.: 19800248		2 = RD
GSF19.15-5/C00	10230132	5M						3 = GY
GSF19.15-10/C00	10230133	10M						4 = RD/BU

* M23 pre-moulding, Standard cable lengths are 2/5/10M, Consult factory for other lengths. *

M23 pre-moulding connector 19pins

M23 External thread, Female, Pre-moulding connector



Technical data

- Plug body: TPU/Yellow
- Coupling nut: Zinc/Nickel-plated
- Contact carrier: TPU/White
- Pin: Brass/Gold-plated
- O-ring: FPM/FKM
- Insulation resistance: $\geq 100M\Omega$
- Forward resistance: $\leq 5m\Omega$
- Degree of pollution: 3
- Ambient temperature: $-25\sim +85^{\circ}C$
- Degree of protection: IP67
- Plug: M23x1
- Insertion/withdrawal cycles: ≥ 100
- Torque: 2 Nm (M23 Plug connector)
- Cable: Refer to cable specification for detailed data

Key Commercial Data

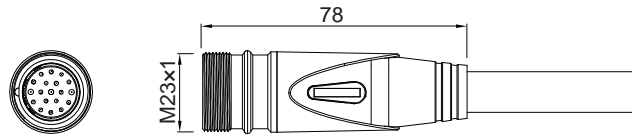
- Packing unit: 1PCS/Bag
Small package (200x150x100) , Medium (330x250x150) , Large (400x300x230) mm

Type No.	ID No.	Length	Angle	Current	Voltage	Wire gauge	Pinout	Wire colors
GSF19-2/C00	10230134	2M	Straight	9A	150V	3x0.75+16x0.34 (3x18+16x22AWG) Black PVC, OD=10.0 No.: 19800244		1 = VT
GSF19-5/C00	10230135	5M						2 = RD
GSF19-10/C00	10230136	10M						3 = GY
								4 = RD/BU
								5 = GN
								6 = BU
								7 = GY/PK
								8 = WH/GN
								9 = WH/YE
								10 = WH/GY
								11 = BK
								12 = GN/YE
								13 = YE/BN
								14 = BN/GN
								15 = WH
								16 = YE
								17 = PK
								18 = GY/BN
								19 = BN

* M23 pre-moulding, Standard cable lengths are 2/5/10M, Consult factory for other lengths. *

M8
M12
7/8"
M16
M23
CC-LINK
DeviceNet
Profibus-DP
E-Net & P-Net
分支器&分线盒
阀式连接器

M23 External thread, Male, Pre-moulding connector



Technical data

- Plug body: TPU/Yellow
- Coupling nut: Zinc/Nickel-plated
- Contact carrier: PA66/White
- Pin: Brass/Gold-plated
- O-ring: FPM/FKM
- Insulation resistance: $\geq 100M\Omega$
- Forward resistance: $\leq 5m\Omega$
- Degree of pollution: 3
- Ambient temperature: $-25\sim +85^{\circ}C$
- Degree of protection: IP67
- Plug: M23x1
- Insertion/withdrawal cycles: ≥ 100
- Torque: 2 Nm (M23 Plug connector)
- Cable: Refer to cable specification for detailed data

Key Commercial Data

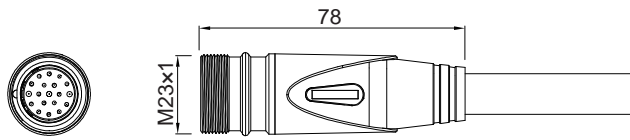
- Packing unit: 1PCS/Bag
Small package (200x150x100) , Medium (330x250x150) , Large (400x300x230) mm

Type No.	ID No.	Length	Angle	Current	Voltage	Wire gauge	Pinout	Wire colors
GSM12.7-2/C00	10230025	2M	Straight	9A	150V	3x0.75+4x0.34 (3x18+4x22AWG) Black PVC, OD=7.4 No.: 19800232		1 = WH 2 = GN 3 = YE 4 = GY 9 = BU 10 = short connect with 9 11 = BN 12 = GN/YE
GSM12.7-5/C00	10230026	5M						
GSM12.7-10/C00	10230027	10M						
GSM12.9-2/C00	10230028	2M	Straight	9A	150V	3x0.75+6x0.34 (3x18+6x22AWG) Black PVC, OD=8.5 No.: 19800233		1 = WH 2 = GN 3 = YE 4 = GY 5 = PK 6 = RD 9 = BU 10 = short connect with 9 11 = BN 12 = GN/YE
GSM12.9-5/C00	10230029	5M						
GSM12.9-10/C00	10230030	10M						

* M23 pre-moulding, Standard cable lengths are 2/5/10M, Consult factory for other lengths. *

M23 pre-moulding connector 12.11/12pins

M23 External thread, Male, Pre-moulding connector



Technical data

- Plug body: TPU/Yellow
- Coupling nut: Zinc/Nickel-plated
- Contact carrier: PA66/White
- Pin: Brass/Gold-plated
- O-ring: FPM/FKM
- Insulation resistance: $\geq 100M\Omega$
- Forward resistance: $\leq 5m\Omega$
- Degree of pollution: 3
- Ambient temperature: $-25\sim+85^{\circ}C$
- Degree of protection: IP67
- Plug: M23x1
- Insertion/withdrawal cycles: ≥ 100
- Torque: 2 Nm (M23 Plug connector)
- Cable: Refer to cable specification for detailed data

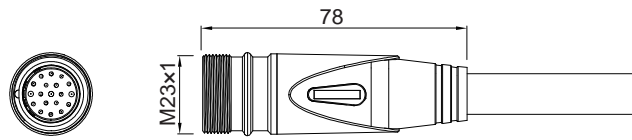
Key Commercial Data

- Packing unit: 1PCS/Bag
Small package (200x150x100) , Medium (330x250x150) , Large (400x300x230) mm

Type No.	ID No.	Length	Angle	Current	Voltage	Wire gauge	Pinout	Wire colors
GSM12.11-2/C00	10230031	2M	Straight	9A	150V	3x0.75+8x0.34 (3x18+8x22AWG) Black PVC, OD=8.5 No.: 19800234		1 = WH
GSM12.11-5/C00	10230032	5M						2 = GN
GSM12.11-10/C00	10230033	10M						3 = YE
GSM12-2/C00	10230034	2M	Straight	9A	150V		4 = GY	
GSM12-5/C00	10230035	5M					5 = PK	
GSM12-10/C00	10230036	10M					6 = RD	
								7 = BK
								8 = VT
								9 = BU
								10 = short connect with 9
								11 = BN
								12 = GN/YE

* M23 pre-moulding, Standard cable lengths are 2/5/10M, Consult factory for other lengths. *

M23 External thread, Male, Pre-moulding connector

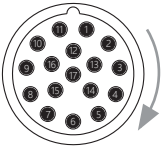


Technical data

- Plug body: TPU/Yellow
- Coupling nut: Zinc/Nickel-plated
- Contact carrier: TPU/White
- Pin: Brass/Gold-plated
- O-ring: FPM/FKM
- Insulation resistance: $\geq 100M\Omega$
- Forward resistance: $\leq 5m\Omega$
- Degree of pollution: 3
- Ambient temperature: $-25\sim +85^{\circ}C$
- Degree of protection: IP67
- Plug: M23x1
- Insertion/withdrawal cycles: ≥ 100
- Torque: 2 Nm (M23 Plug connector)
- Cable: Refer to cable specification for detailed data

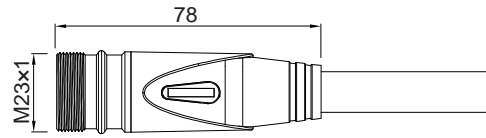
Key Commercial Data

- Packing unit: 1PCS/Bag
- Small package (200x150x100) , Medium (330x250x150) , Large (400x300x230) mm

Type No.	ID No.	Length	Angle	Current	Voltage	Wire gauge	Pinout	Wire colors
GSM17-2/C00	10230055	2M	Straight	9A	150V	3x0.75+16x0.34 (3x18+16x22AWG) Black PVC, OD=10.0 No.: 19800244 Cut out VT,GY/BN and use		1 = BU
GSM17-5/C00	10230056	5M						2 = RD
GSM17-10/C00	10230057	10M						3 = BN

* M23 pre-moulding, Standard cable lengths are 2/5/10M, Consult factory for other lengths. *

M23 External thread, Male, Pre-moulding connector



Technical data

- Plug body: TPU/Yellow
- Coupling nut: Zinc/Nickel-plated
- Contact carrier: TPU/White
- Pin: Brass/Gold-plated
- O-ring: FPM/FKM
- Insulation resistance: $\geq 100M\Omega$
- Forward resistance: $\leq 5m\Omega$
- Degree of pollution: 3
- Ambient temperature: $-25\sim+85^{\circ}C$
- Degree of protection: IP67
- Plug: M23x1
- Insertion/withdrawal cycles: ≥ 100
- Torque: 2 Nm (M23 Plug connector)
- Cable: Refer to cable specification for detailed data

Key Commercial Data

- Packing unit: 1PCS/Bag
Small package (200x150x100) , Medium (330x250x150) , Large (400x300x230) mm

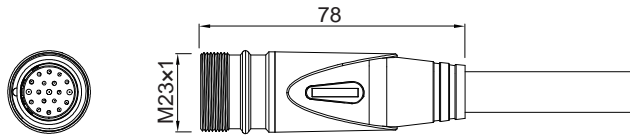
Type No.	ID No.	Length	Angle	Current	Voltage	Wire gauge	Pinout	Wire colors
GSM19.11-2/C00	10230067	2M	Straight	9A	150V	3x0.75+8x0.34 (3x18+8x22AWG) Black PVC, OD=8.5 No.: 19800246		3 = GY
GSM19.11-5/C00	10230068	5M						4 = RD/BU
GSM19.11-10/C00	10230069	10M						5 = GN
GSM19.14-2/C00	10230079	2M	Straight	6A	150V		6 = BU	
GSM19.14-5/C00	10230080	5M					7 = GY/PK	
GSM19.14-10/C00	10230081	10M					8 = WH/GN	

* M23 pre-moulding, Standard cable lengths are 2/5/10M, Consult factory for other lengths. *

M8
M12
7/8"
M16
M23

CC-LINK
DeviceNet
Profibus-DP
E-Net & P-Net
分支器 & 分线盒
阀式连接器

M23 External thread, Male, Pre-moulding connector



Technical data

- Plug body: TPU/Yellow
- Coupling nut: Zinc/Nickel-plated
- Contact carrier: TPU/White
- Pin: Brass/Gold-plated
- O-ring: FPM/FKM
- Insulation resistance: $\geq 100M\Omega$
- Forward resistance: $\leq 5m\Omega$
- Degree of pollution: 3
- Ambient temperature: $-25\sim +85^{\circ}C$
- Degree of protection: IP67
- Plug: M23x1
- Insertion/withdrawal cycles: ≥ 100
- Torque: 2 Nm (M23 Plug connector)
- Cable: Refer to cable specification for detailed data

Key Commercial Data

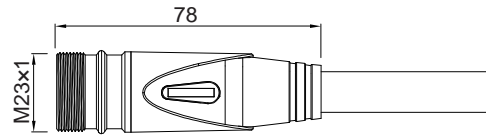
- Packing unit: 1PCS/Bag
Small package (200x150x100) , Medium (330x250x150) , Large (400x300x230) mm

Type No.	ID No.	Length	Angle	Current	Voltage	Wire gauge	Pinout	Wire colors
GSM19.15-2/C00	10230091	2M	Straight	9A	150V	3x0.75+12x0.34 (3x18+12x22AWG) Black PVC, OD=8.5 No.: 19800248		2 = RD
GSM19.15-5/C00	10230092	5M						3 = GY
GSM19.15-10/C00	10230093	10M						4 = RD/BU
								5 = GN
								6 = BU
								7 = GY/PK
								8 = WH/GN
								9 = WH/YE
								12 = GN/YE
								13 = YE/BN
								14 = BN/GN
								15 = WH
								16 = YE
								17 = PK
								19 = BN

* M23 pre-moulding, Standard cable lengths are 2/5/10M, Consult factory for other lengths. *

M23 pre-moulding connector 19pins

M23 External thread, Male, Pre-moulding connector



Technical data

- Plug body: TPU/Yellow
- Coupling nut: Zinc/Nickel-plated
- Contact carrier: TPU/White
- Pin: Brass/Gold-plated
- O-ring: FPM/FKM
- Insulation resistance: $\geq 100M\Omega$
- Forward resistance: $\leq 5m\Omega$
- Degree of pollution: 3
- Ambient temperature: $-25\sim +85^{\circ}C$
- Degree of protection: IP67
- Plug: M23x1
- Insertion/withdrawal cycles: ≥ 100
- Torque: 2 Nm (M23 Plug connector)
- Cable: Refer to cable specification for detailed data

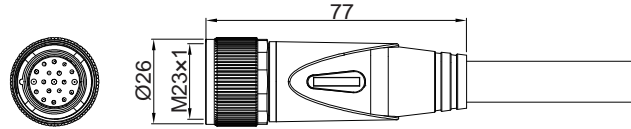
Key Commercial Data

- Packing unit: 1PCS/Bag
Small package (200x150x100) , Medium (330x250x150) , Large (400x300x230) mm

Type No.	ID No.	Length	Angle	Current	Voltage	Wire gauge	Pinout	Wire colors
GSM19-2/C00	10230103	2M	Straight	9A	150V	3x0.75+16x0.34 (3x18+16x22AWG) Black PVC, OD=10.0 No.: 19800244		1 = VT
GSM19-5/C00	10230104	5M						2 = RD
GSM19-10/C00	10230105	10M						3 = GY
								4 = RD/BU
								5 = GN
								6 = BU
								7 = GY/PK
								8 = WH/GN
								9 = WH/YE
								10 = WH/GY
								11 = BK
								12 = GN/YE
								13 = YE/BN
								14 = BN/GN
								15 = WH
								16 = YE
								17 = PK
								18 = GY/BN
								19 = BN

* M23 pre-moulding, Standard cable lengths are 2/5/10M, Consult factory for other lengths. *

M23 Internal thread, Male, Pre-moulding connector



Technical data

- Plug body: TPU/Yellow
- Coupling nut: Zinc/Nickel-plated
- Contact carrier: PA66/White
- Pin: Brass/Gold-plated
- O-ring: FPM/FKM
- Insulation resistance: $\geq 100M\Omega$
- Forward resistance: $\leq 5m\Omega$
- Degree of pollution: 3
- Ambient temperature: $-25\sim +85^{\circ}C$
- Degree of protection: IP67
- Plug: M23x1
- Insertion/withdrawal cycles: ≥ 100
- Torque: 2 Nm (M23 Plug connector)
- Cable: Refer to cable specification for detailed data

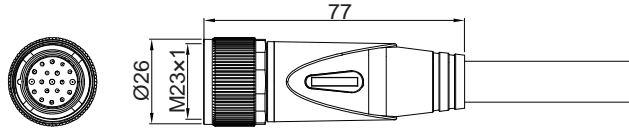
Key Commercial Data

- Packing unit: 1PCS/Bag
- Small package (200x150x100) , Medium (330x250x150) , Large (400x300x230) mm

Type No.	ID No.	Length	Angle	Current	Voltage	Wire gauge	Pinout	Wire colors
GNM12.7-2/C00	10230137	2M	Straight	9A	150V	3x0.75+4x0.34 (3x18+4x22AWG) Black PVC, OD=7.4 No.: 19800232		1 = WH 2 = GN 3 = YE 4 = GY 9 = BU 10 = short connect with 9 11 = BN 12 = GN/YE
GNM12.7-5/C00	10230138	5M						
GNM12.7-10/C00	10230139	10M						
GNM12.9-2/C00	10230140	2M	Straight	9A	150V	3x0.75+6x0.34 (3x18+6x22AWG) Black PVC, OD=8.5 No.: 19800233		1 = WH 2 = GN 3 = YE 4 = GY 5 = PK 6 = RD 9 = BU 10 = short connect with 9 11 = BN 12 = GN/YE
GNM12.9-5/C00	10230141	5M						
GNM12.9-10/C00	10230142	10M						

* M23 pre-moulding, Standard cable lengths are 2/5/10M, Consult factory for other lengths. *

M23 Internal thread, Male, Pre-moulding connector



Technical data

- Plug body: TPU/Yellow
- Coupling nut: Zinc/Nickel-plated
- Contact carrier: PA66/White
- Pin: Brass/Gold-plated
- O-ring: FPM/FKM
- Insulation resistance: $\geq 100M\Omega$
- Forward resistance: $\leq 5m\Omega$
- Degree of pollution: 3
- Ambient temperature: $-25\sim +85^{\circ}C$
- Degree of protection: IP67
- Plug: M23×1
- Insertion/withdrawal cycles: ≥ 100
- Torque: 2 Nm (M23 Plug connector)
- Cable: Refer to cable specification for detailed data

Key Commercial Data

- Packing unit: 1PCS/Bag
Small package (200×150×100) , Medium (330×250×150) , Large (400×300×230) mm

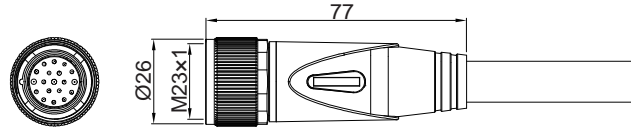
Type No.	ID No.	Length	Angle	Current	Voltage	Wire gauge	Pinout	Wire colors
GNM12.11-2/C00	10230143	2M	Straight	9A	150V	3×0.75+8×0.34 (3×18+8×22AWG) Black PVC, OD=8.5 No.: 19800234		1 = WH
GNM12.11-5/C00	10230144	5M						2 = GN
GNM12.11-10/C00	10230145	10M						3 = YE
GNM12-2/C00	10230146	2M	Straight	9A	150V		4 = GY	
GNM12-5/C00	10230147	5M					5 = PK	
GNM12-10/C00	10230148	10M					6 = RD	
								7 = BK
								8 = VT
								9 = BU
								10 = short connect with 9
								11 = BN
								12 = GN/YE
								1 = BN
								2 = BU
								3 = WH
								4 = GN/YE
								5 = OG
								6 = YE
								7 = GY
								8 = PK
								9 = RD
								10 = BN/WH
								11 = BU/WH
								12 = GN/WH

* M23 pre-moulding, Standard cable lengths are 2/5/10M, Consult factory for other lengths. *

M8
M12
7/8"
M16
M23

CC-LINK
DeviceNet
Profibus-DP
E-Net & P-Net
分支器 & 分线盒
阀式连接器

M23 Internal thread, Male, Pre-moulding connector



Technical data

- Plug body: TPU/Yellow
- Coupling nut: Zinc/Nickel-plated
- Contact carrier: TPU/White
- Pin: Brass/Gold-plated
- O-ring: FPM/FKM
- Insulation resistance: $\geq 100M\Omega$
- Forward resistance: $\leq 5m\Omega$
- Degree of pollution: 3
- Ambient temperature: $-25\sim +85^{\circ}C$
- Degree of protection: IP67
- Plug: M23x1
- Insertion/withdrawal cycles: ≥ 100
- Torque: 2 Nm (M23 Plug connector)
- Cable: Refer to cable specification for detailed data

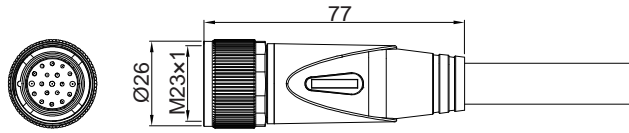
Key Commercial Data

- Packing unit: 1PCS/Bag
Small package (200x150x100) , Medium (330x250x150) , Large (400x300x230) mm

Type No.	ID No.	Length	Angle	Current	Voltage	Wire gauge	Pinout	Wire colors
GNM17-2/C00	10230149	2M	Straight	9A	150V	3x0.75+16x0.34 (3x18+16x22AWG) Black PVC, OD=10.0 No.: 19800244 Cut out VT,GY/BN and use		1 = BU
GNM17-5/C00	10230150	5M						2 = RD
GNM17-10/C00	10230151	10M						3 = BN
								4 = GY
								5 = GN/YE
								6 = RD/BU
								7 = GN
								8 = GY/PK
								9 = WH/GN
								10 = WH/YE
								11 = WH/GY
								12 = BK
								13 = YE/BN
								14 = BN/GN
								15 = WH
								16 = YE
								17 = PK

* M23 pre-moulding, Standard cable lengths are 2/5/10M, Consult factory for other lengths. *

M23 Internal thread, Male, Pre-moulding connector



Technical data

- Plug body: TPU/Yellow
- Coupling nut: Zinc/Nickel-plated
- Contact carrier: TPU/White
- Pin: Brass/Gold-plated
- O-ring: FPM/FKM
- Insulation resistance: $\geq 100M\Omega$
- Forward resistance: $\leq 5m\Omega$
- Degree of pollution: 3
- Ambient temperature: $-25\sim +85^{\circ}C$
- Degree of protection: IP67
- Plug: M23×1
- Insertion/withdrawal cycles: ≥ 100
- Torque: 2 Nm (M23 Plug connector)
- Cable: Refer to cable specification for detailed data

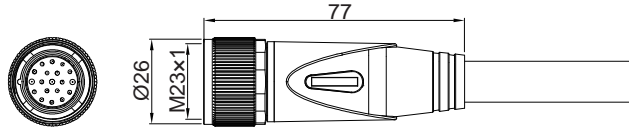
Key Commercial Data

- Packing unit: 1PCS/Bag
Small package (200×150×100) , Medium (330×250×150) , Large (400×300×230) mm

Type No.	ID No.	Length	Angle	Current	Voltage	Wire gauge	Pinout	Wire colors
GNM19.11-2/C00	10230152	2M	Straight	9A	150V	3×0.75+8×0.34 (3×18+8×22AWG) Black PVC, OD=8.5 No.: 19800246		3 = GY
GNM19.11-5/C00	10230153	5M						4 = RD/BU
GNM19.11-10/C00	10230154	10M						5 = GN
GNM19.14-2/C00	10230155	2M	Straight	6A	150V		6 = BU	
GNM19.14-5/C00	10230156	5M					7 = GY/PK	
GNM19.14-10/C00	10230157	10M					8 = WH/GN	
								12 = GN/YE
								14 = BN/GN
								15 = WH
								16 = YE
								19 = BN

* M23 pre-moulding, Standard cable lengths are 2/5/10M, Consult factory for other lengths. *

M23 Internal thread, Male, Pre-moulding connector



Technical data

- Plug body: TPU/Yellow
- Coupling nut: Zinc/Nickel-plated
- Contact carrier: TPU/White
- Pin: Brass/Gold-plated
- O-ring: FPM/FKM
- Insulation resistance: $\geq 100M\Omega$
- Forward resistance: $\leq 5m\Omega$
- Degree of pollution: 3
- Ambient temperature: $-25\sim +85^{\circ}C$
- Degree of protection: IP67
- Plug: M23x1
- Insertion/withdrawal cycles: ≥ 100
- Torque: 2 Nm (M23 Plug connector)
- Cable: Refer to cable specification for detailed data

Key Commercial Data

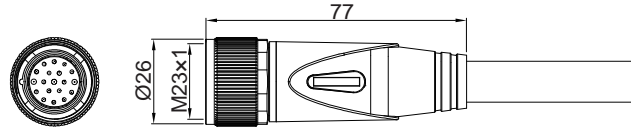
- Packing unit: 1PCS/Bag
Small package (200x150x100) , Medium (330x250x150) , Large (400x300x230) mm

Type No.	ID No.	Length	Angle	Current	Voltage	Wire gauge	Pinout	Wire colors
GNM19.15-2/C00	10230158	2M	Straight	9A	150V	3x0.75+12x0.34 (3x18+12x22AWG) Black PVC, OD=8.5 No.: 19800248		2 = RD
GNM19.15-5/C00	10230159	5M						3 = GY
GNM19.15-10/C00	10230160	10M						4 = RD/BU
								5 = GN
								6 = BU
								7 = GY/PK
								8 = WH/GN
								9 = WH/YE
								12 = GN/YE
								13 = YE/BN
								14 = BN/GN
								15 = WH
								16 = YE
								17 = PK
								19 = BN

* M23 pre-moulding, Standard cable lengths are 2/5/10M, Consult factory for other lengths. *

M23 pre-moulding connector 19pins

M23 Internal thread, Male, Pre-moulding connector



Technical data

- Plug body: TPU/Yellow
- Coupling nut: Zinc/Nickel-plated
- Contact carrier: TPU/White
- Pin: Brass/Gold-plated
- O-ring: FPM/FKM
- Insulation resistance: $\geq 100M\Omega$
- Forward resistance: $\leq 5m\Omega$
- Degree of pollution: 3
- Ambient temperature: $-25\sim +85^{\circ}C$
- Degree of protection: IP67
- Plug: M23x1
- Insertion/withdrawal cycles: ≥ 100
- Torque: 2 Nm (M23 Plug connector)
- Cable: Refer to cable specification for detailed data

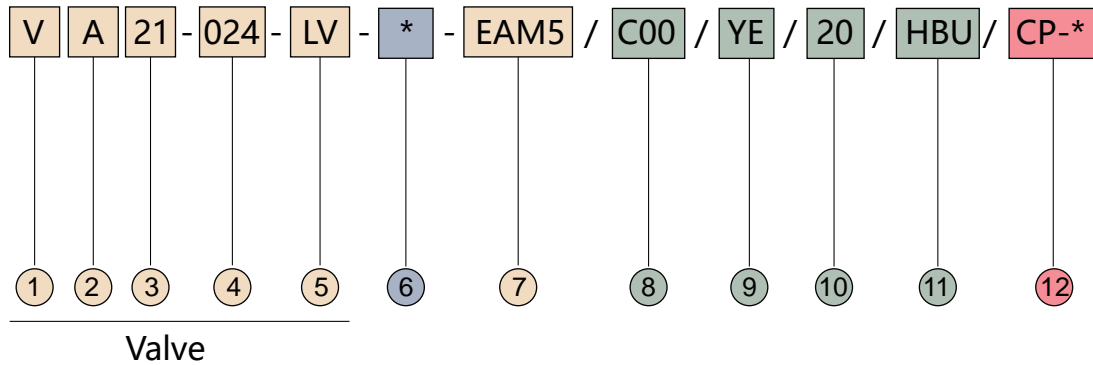
Key Commercial Data

- Packing unit: 1PCS/Bag
Small package (200x150x100) , Medium (330x250x150) , Large (400x300x230) mm

Type No.	ID No.	Length	Angle	Current	Voltage	Wire gauge	Pinout	Wire colors
GNM19-2/C00	10230161	2M	Straight	9A	150V	3x0.75+16x0.34 (3x18+16x22AWG) Black PVC, OD=10.0 No.: 19800244		1 = VT
GNM19-5/C00	10230162	5M						2 = RD
GNM19-10/C00	10230163	10M						3 = GY
								4 = RD/BU
								5 = GN
								6 = BU
								7 = GY/PK
								8 = WH/GN
								9 = WH/YE
								10 = WH/GY
								11 = BK
								12 = GN/YE
								13 = YE/BN
								14 = BN/GN
								15 = WH
								16 = YE
								17 = PK
								18 = GY/BN
								19 = BN

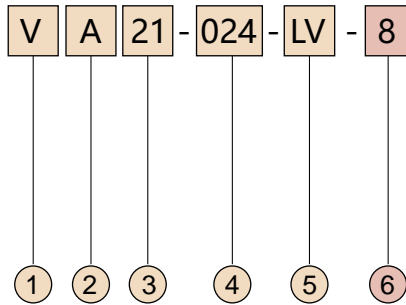
* M23 pre-moulding, Standard cable lengths are 2/5/10M, Consult factory for other lengths. *

VALVE CONNECTOR



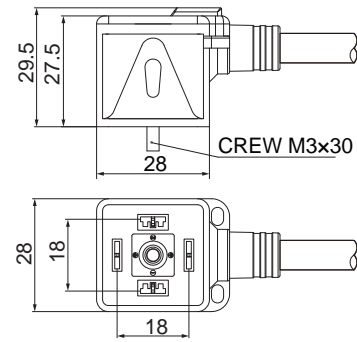
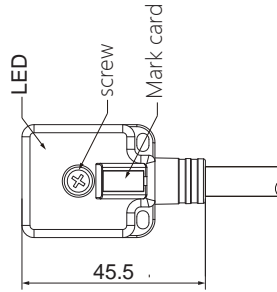
- ① V = Valve
- ② A = A type valve(18mm)
B = B type valve(10 mm)
BI = BI type valve(11 mm)
C = C type valve(8 mm)
CI = CI type valve(9.4 mm)
- ③ 21 = 2 Conductors+Ground
31 = 3 Conductors+Ground
D = 3 Conductors+Ground (pressure switch)
- ④ Blank = 0~220V AV/DC
024 = 24 V AC/DC
110 = 110 V AC/DC
220 = 220 V AC/DC
- ⑤ Blank = No LED show and no suppression
L = LED show
V = No LED show and suppression
LV = LED show and suppression
- ⑥ Cable Length(M)
Can be customized
With 0.1M as increment
The shortest length is 0.2M.
- ⑦ Blank = Single-ended
EAM5 = M12 5Pin Male, straight
EWAM5 = M12 5Pin Male, angled
- ⑧ Reference Cable Code
- ⑨ Color of cable jacket
Blank = Standard color
Customized cable jacket color
YE = Yellow
GY = Gray
- ⑩ Wire gauge
Blank = Standard wire gauge
Customized wire gauge
24 24AWG: 0.25 mm²
22 22AWG: 0.34 mm²
....
- ⑪ Color of plug body
Blank = Standard color (yellow)
Customized plug body color
HBK Plug body black
HBU Plug body blue
- ⑫ Customized products
* = Customized code

M8
M12
7/8"
M16
M23
VALVE
分支器&分线盒
E-Net & P-Net
Profibus-DP
DeviceNet
CC-LINK



- ① V = Valve
- ② A = A type valve(18mm)
B = B type valve(10 mm)
BI = BI type valve(11 mm)
C = C type valve(8 mm)
CI = CI type valve(9.4 mm)
- ③ 21 = 2 Conductors+Ground
31 = 3 Conductors+Ground
D = 3 Conductors+Ground (pressure switch)
- ④ 024 = 24 V AC/DC
110 = 110 V AC/DC
220 = 220 V AC/DC
- ⑤ Blank = No LED show and no suppression
L = LED show
V = No LED show and suppression
LV = LED show and suppression
- ⑥ Cable Installation Dimensions
8 = 4~8 mm
(Acceptable cable diameter 4-8 mm)

A type valve connectors



Technical data

- Plug body: TPU/Black
- Coupling nut: Zinc/Nickel-plated
- Contact carrier: TPU+GF/Black
- Pin: Brass/silver-plated
- Degree of protection: IP67
- Insulation resistance: $\geq 1G\Omega$
- Forward resistance: $\leq 5m\Omega$
- Degree of pollution: 3
- Ambient temperature: $-25\sim +85^{\circ}C$
- Cable: Refer to cable specification for detailed data
- Plug: A type valve(18mm)
- Insertion/withdrawal cycles: ≥ 50 (valve)
- Standards: EN 175301-803
- Torque: 0.4 Nm (M3 screw)

Key Commercial Data

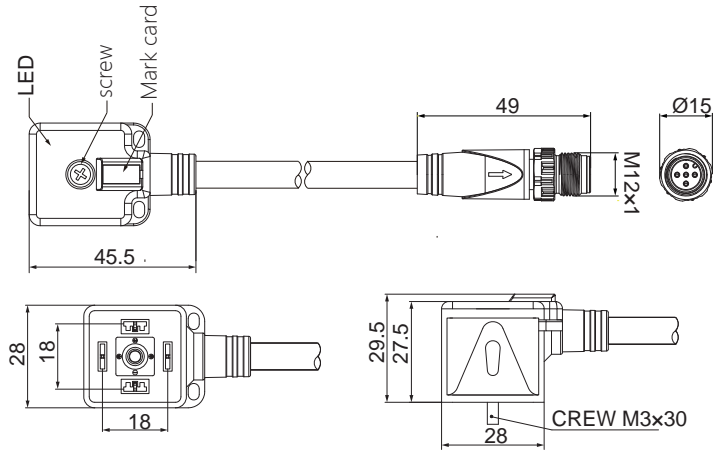
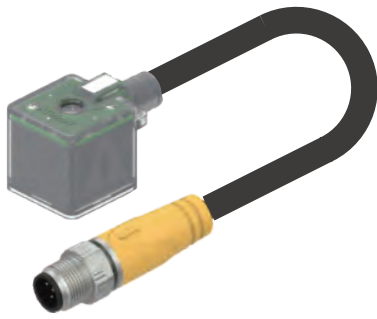
- Packing unit: 2M/10PCS/Bag, 5M/5PCS/Bag, 10M/1PCS/Bag
- Small package (200×150×100), Medium (330×250×150), Large (400×300×230) mm

Type No.	ID No.	Length	Current	Voltage	Wire gauge	Pinout	Wire colors
VA21-2/C00	10680005	2M	4A	0~220V	3×0.75 (3×18AWG) Black PVC, OD=6 No.: 19800165		
VA21-024-L-2/C00	10680006	2M	4A	24V	3×0.75 (3×18AWG) Black PVC, OD=6 No.: 19800165		
VA21-110-L-2/C00	10680007			110V			
VA21-220-L-2/C00	10680008			220V			
VA21-024-LV-2/C00	10680009	2M	4A	24V	3×0.75 (3×18AWG) Black PVC, OD=6 No.: 19800165		
VA21-110-LV-2/C00	10680010			110V			
VA21-220-LV-2/C00	10680011			220V			

* Standard cable lengths are 2/5/10M, Consult factory for other lengths. Optional cable C00: fixed installation of PVC, C10: fixed installation of oil-resistant PUR, C13: drag chain installation of PUR.

M8, M12, 7/8", M16, M23, VALVE, CC-LINK, DeviceNet, Profibus-DP, E-Net & P-Net, 分支器&分线盒

A type valve connectors



Technical data

- Plug body: TPU/Black
- Coupling nut: Zinc/Nickel-plated
- Contact carrier: TPU+GF/Black
- Pin: Brass/silver-plated
- Degree of protection: IP67
- Insulation resistance: $\geq 1G\Omega$
- Forward resistance: $\leq 5m\Omega$
- Degree of pollution: 3
- Ambient temperature: $-25\sim +85^{\circ}C$
- Cable: Refer to cable specification for detailed data
- Plug: A type valve (18mm), M12x1
- Insertion/withdrawal cycles: ≥ 50 (valve), 100 (M12 Plug)
- Standards: valve EN 175301-803, M12 IEC 61076-2-101
- Torque: 0.4 Nm (M3 screw, M12 Plug)

Key Commercial Data

- Packing unit: 2M/10PCS/Bag, 5M/5PCS/Bag, 10M/1PCS/Bag
- Small package (200x150x100), Medium (330x250x150), Large (400x300x230) mm

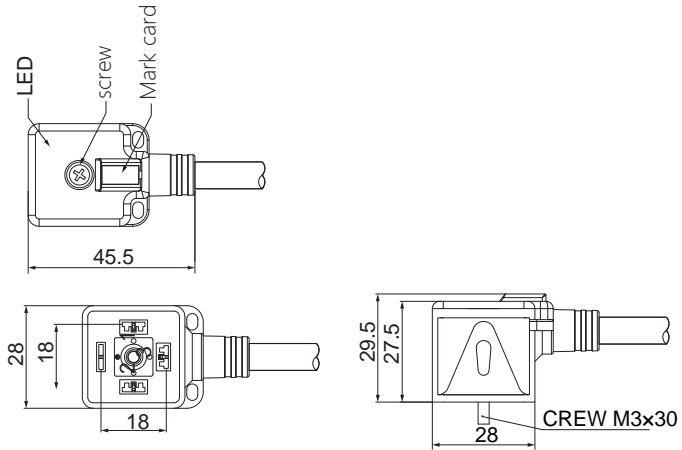
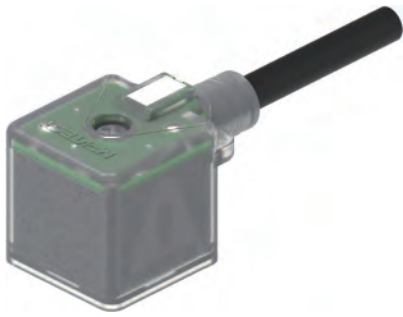
Type No.	ID No.	Length	Current	Voltage	Wire gauge	Pinout	Wire colors
VA21-2-EAM5/C00	10680012	2M	4A	0~220V	3x0.75 (3x18AWG) Black PVC, OD=6 No.: 19800165		
VA21-024-L-2-EAM5/C00	10680013	2M	4A	24V	3x0.75 (3x18AWG) Black PVC, OD=6 No.: 19800165		
VA21-110-L-2-EAM5/C00	10680014			110V			
VA21-220-L-2-EAM5/C00	10680015			220V			
VA21-024-LV-2-EAM5/C00	10680016	2M	4A	24V	3x0.75 (3x18AWG) Black PVC, OD=6 No.: 19800165		
VA21-110-LV-2-EAM5/C00	10680017			110V			
VA21-220-LV-2-EAM5/C00	10680018			220V			

* Standard cable lengths are 2/5/10M, Consult factory for other lengths. Optional cable C00: fixed installation of PVC, C10: fixed installation of oil-resistant PUR, C13: drag chain installation of PUR.

M8, M12, 7/8", M16, M23, VALVE, E-Net & P-Net, 分支器&分线盒, Profibus-DP, DeviceNet, CC-LINK

A type valve connectors

A type valve connectors



Technical data

- Plug body: TPU/Black
- Coupling nut: Zinc/Nickel-plated
- Contact carrier: TPU+GF/Black
- Pin: Brass/silver-plated
- Degree of protection: IP67
- Insulation resistance: $\geq 1G\Omega$
- Forward resistance: $\leq 5m\Omega$
- Degree of pollution: 3
- Ambient temperature: $-25\sim +85^{\circ}C$
- Cable: Refer to cable specification for detailed data
- Plug: A type valve (18mm)
- Insertion/withdrawal cycles: ≥ 50 (valve)
- Standards: EN 175301-803
- Torque: 0.4 Nm (M3 screw)

Key Commercial Data

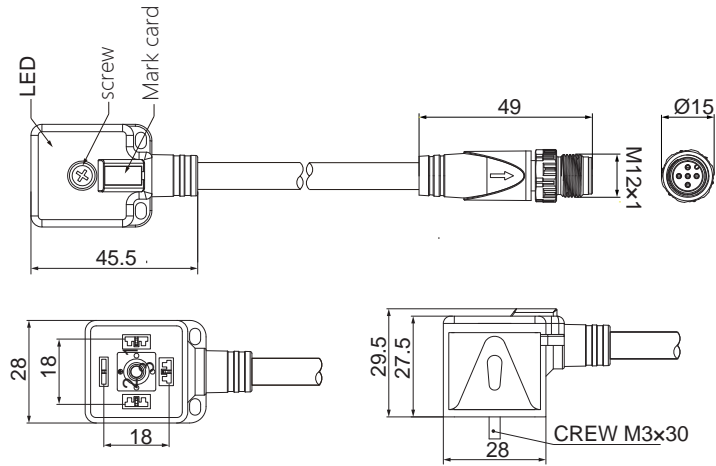
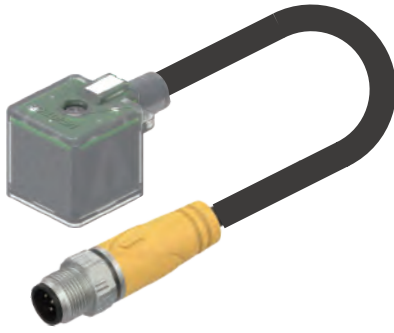
- Packing unit: 2M/10PCS/Bag, 5M/5PCS/Bag, 10M/1PCS/Bag
- Small package (200×150×100), Medium (330×250×150), Large (400×300×230) mm

Type No.	ID No.	Length	Current	Voltage	Wire gauge	Pinout	Wire colors
VA31-2/C00	10680019	2M	4A	0~220V	4×0.75 (4×18AWG) Black PVC, OD=6.5 No.: 19800166		
VA31-024-L-2/C00	10680020	2M	4A	24V	4×0.75 (4×18AWG) Black PVC, OD=6.5 No.: 19800166		
VA31-110-L-2/C00	10680021			110V			
VA31-220-L-2/C00	10680022			220V			
VA31-024-LV-2/C00	10680023	2M	4A	24V	4×0.75 (4×18AWG) Black PVC, OD=6.5 No.: 19800166		
VA31-110-LV-2/C00	10680024			110V			
VA31-220-LV-2/C00	10680025			220V			

* Standard cable lengths are 2/5/10M, Consult factory for other lengths. Optional cable C00: fixed installation of PVC, C10: fixed installation of oil-resistant PUR, C13: drag chain installation of PUR.

M8 M12 7/8" M16 M23 VALVE CC-LINK DeviceNet Profibus-DP E-Net & P-Net 分支器&分线盒

A type valve connectors



Technical data

- Plug body: TPU/Black
- Coupling nut: Zinc/Nickel-plated
- Contact carrier: TPU+GF/Black
- Pin: Brass/silver-plated
- Degree of protection: IP67
- Insulation resistance: $\geq 1\text{G}\Omega$
- Forward resistance: $\leq 5\text{m}\Omega$
- Degree of pollution: 3
- Ambient temperature: $-25\sim +85^\circ\text{C}$
- Cable: Refer to cable specification for detailed data
- Plug: A type valve (18mm), M12x1
- Insertion/withdrawal cycles: ≥ 50 (valve), 100 (M12 Plug)
- Standards: Valve EN 175301-803, M12 IEC 61076-2-101
- Torque: 0.4 Nm (M3 screw, M12 Plug)

Key Commercial Data

- Packing unit: 2M/10PCS/Bag, 5M/5PCS/Bag, 10M/1PCS/Bag
- Small package (200x150x100), Medium (330x250x150), Large (400x300x230) mm

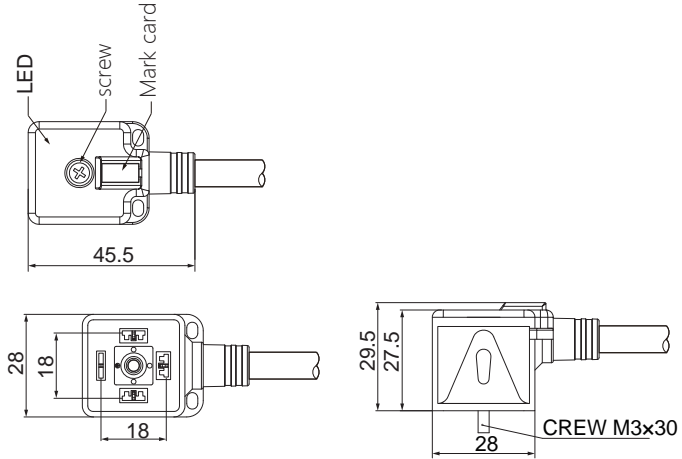
Type No.	ID No.	Length	Current	Voltage	Wire gauge	Pinout	Wire colors
VA31-2-EAM5/C00	10680026	2M	4A	0~220V	4x0.75 (4x18AWG) Black PVC, OD=6.5 No.: 19800166		
VA31-024-L-2-EAM5/C00	10680027	2M	4A	24V	4x0.75 (4x18AWG) Black PVC, OD=6.5 No.: 19800166		
VA31-110-L-2-EAM5/C00	10680028			110V			
VA31-220-L-2-EAM5/C00	10680029			220V			
VA31-024-LV-2-EAM5/C00	10680030	2M	4A	24V	4x0.75 (4x18AWG) Black PVC, OD=6.5 No.: 19800166		
VA31-110-LV-2-EAM5/C00	10680031			110V			
VA31-220-LV-2-EAM5/C00	10680032			220V			

* Standard cable lengths are 2/5/10M, Consult factory for other lengths. Optional cable C00: fixed installation of PVC, C10: fixed installation of oil-resistant PUR, C13: drag chain installation of PUR.

M8 M12 7/8" M16 M23 VALVE E-Net & P-Net 分支器&分线盒 Profibus-DP DeviceNet CC-LINK

A type valve connectors

A type valve connectors



Technical data

- Plug body: TPU/Black
- Coupling nut: Zinc/Nickel-plated
- Contact carrier: TPU+GF/Black
- Pin: Brass/silver-plated
- Degree of protection: IP67
- Insulation resistance: $\geq 1G\Omega$
- Forward resistance: $\leq 5m\Omega$
- Degree of pollution: 3
- Ambient temperature: $-25\sim +85^{\circ}C$
- Cable: Refer to cable specification for detailed data
- Plug: A type valve (18mm)
- Insertion/withdrawal cycles: ≥ 50 (valve)
- Standards: EN 175301-803
- Torque: 0.4 Nm (M3 screw)

Key Commercial Data

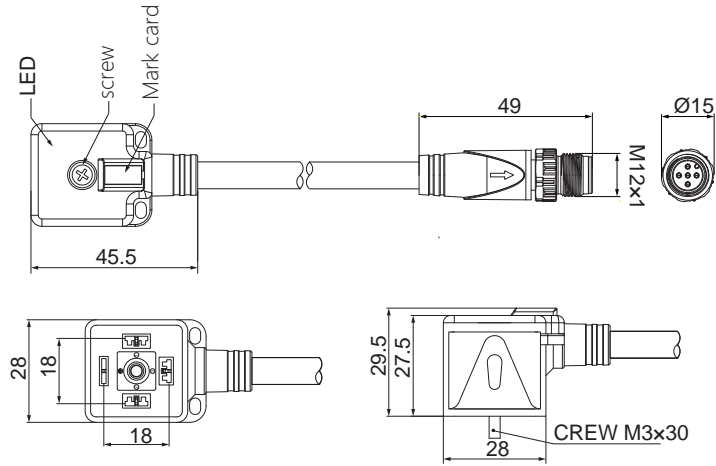
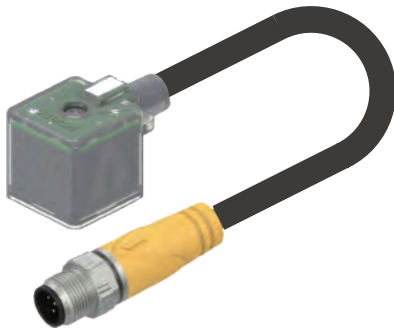
- Packing unit: 2M/10PCS/Bag, 5M/5PCS/Bag, 10M/1PCS/Bag
- Small package (200×150×100), Medium (330×250×150), Large (400×300×230) mm

Type No.	ID No.	Length	Current	Voltage	Wire gauge	Pinout	Wire colors
VAD-024-L-2/C00	10680033	2M	4A	24V	5×0.75 (5×18AWG) Black PVC, OD=7 No.: 19800167		

* Standard cable lengths are 2/5/10M, Consult factory for other lengths. Optional cable C00: fixed installation of PVC, C10: fixed installation of oil-resistant PUR, C13: drag chain installation of PUR.

M8 M12 7/8" M16 M23 VALVE CC-LINK DeviceNet Profibus-DP E-Net & P-Net 分支器&分线盒

A type valve connectors



Technical data

- Plug body: TPU/Black
- Coupling nut: Zinc/Nickel-plated
- Contact carrier: TPU+GF/Black
- Pin: Brass/silver-plated
- Degree of protection: IP67
- Insulation resistance: $\geq 1G\Omega$
- Forward resistance: $\leq 5m\Omega$
- Degree of pollution: 3
- Ambient temperature: $-25\sim +85^{\circ}C$
- Cable: Refer to cable specification for detailed data
- Plug: A type valve (18mm), M12x1
- Insertion/withdrawal cycles: ≥ 50 (valve), 100 (M12 Plug)
- Standards: Valve EN 175301-803, M12 IEC 61076-2-101
- Torque: 0.4 Nm (M3 screw, M12 Plug)

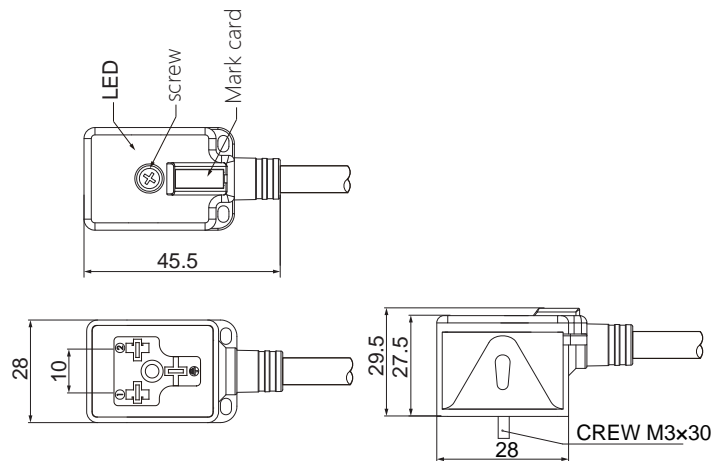
Key Commercial Data

- Packing unit: 2M/10PCS/Bag, 5M/5PCS/Bag, 10M/1PCS/Bag
Small package (200×150×100), Medium (330×250×150), Large (400×300×230) mm

Type No.	ID No.	Length	Current	Voltage	Wire gauge	Pinout	Wire colors
VAD-024-L-2-EAM5/C00	10680034	2M	4A	24V	5×0.75 (5×18AWG) Black PVC, OD=7 No.: 19800167		

* Standard cable lengths are 2/5/10M, Consult factory for other lengths. Optional cable C00: fixed installation of PVC, C10: fixed installation of oil-resistant PUR, C13: drag chain installation of PUR.

B type valve connectors



Technical data

- Plug body: TPU/Black
- Coupling nut: Zinc/Nickel-plated
- Contact carrier: TPU+GF/Black
- Pin: Brass/silver-plated
- Degree of protection: IP67
- Insulation resistance: $\geq 1G\Omega$
- Forward resistance: $\leq 5m\Omega$
- Degree of pollution: 3
- Ambient temperature: $-25\sim +85^{\circ}C$
- Cable: Refer to cable specification for detailed data
- Plug: B type valve (10mm)
- Insertion/withdrawal cycles: ≥ 50 (valve)
- Standards: EN 175301-803
- Torque: 0.4 Nm (M3 screw)

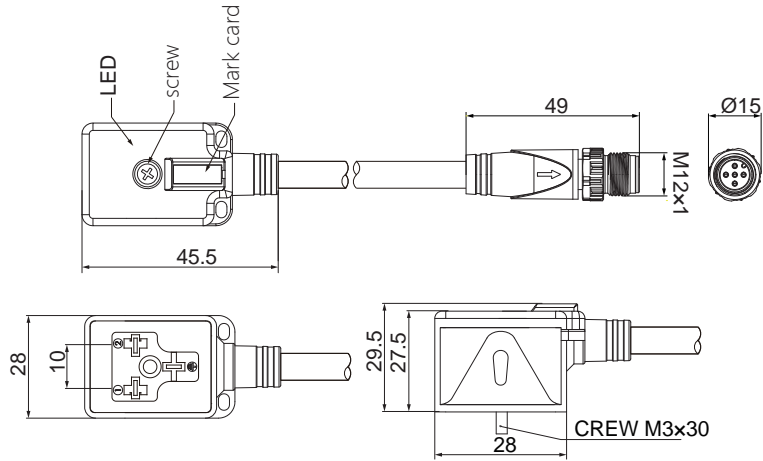
Key Commercial Data

- Packing unit: 2M/10PCS/Bag, 5M/5PCS/Bag, 10M/1PCS/Bag
- Small package (200×150×100), Medium (330×250×150), Large (400×300×230) mm

Type No.	ID No.	Length	Current	Voltage	Wire gauge	Pinout	Wire colors
VB21-2/C00	10680035	2M	4A	0~220V	3×0.75 (3×18AWG) Black PVC, OD=6 No.: 19800165		
VB21-024-L-2/C00	10680036	2M	4A	24V	3×0.75 (3×18AWG) Black PVC, OD=6 No.: 19800165		
VB21-110-L-2/C00	10680037			110V			
VB21-220-L-2/C00	10680038			220V			
VB21-024-LV-2/C00	10680039	2M	4A	24V	3×0.75 (3×18AWG) Black PVC, OD=6 No.: 19800165		
VB21-110-LV-2/C00	10680040			110V			
VB21-220-LV-2/C00	10680041			220V			

* Standard cable lengths are 2/5/10M, Consult factory for other lengths. Optional cable C00: fixed installation of PVC, C10: fixed installation of oil-resistant PUR, C13: drag chain installation of PUR.

B type valve connectors



Technical data

- Plug body: TPU/Black
- Coupling nut: Zinc/Nickel-plated
- Contact carrier: TPU+GF/Black
- Pin: Brass/silver-plated
- Degree of protection: IP67
- Insulation resistance: $\geq 1G\Omega$
- Forward resistance: $\leq 5m\Omega$
- Degree of pollution: 3
- Ambient temperature: $-25\sim +85^{\circ}C$
- Cable: Refer to cable specification for detailed data
- Plug: B type valve (10mm), M12x1
- Insertion/withdrawal cycles: ≥ 50 (valve), ≥ 100 (M12 Plug)
- Standards: Valve EN 175301-803, M12 IEC 61076-2-101
- Torque: 0.4 Nm (M3 screw, M12 Plug)

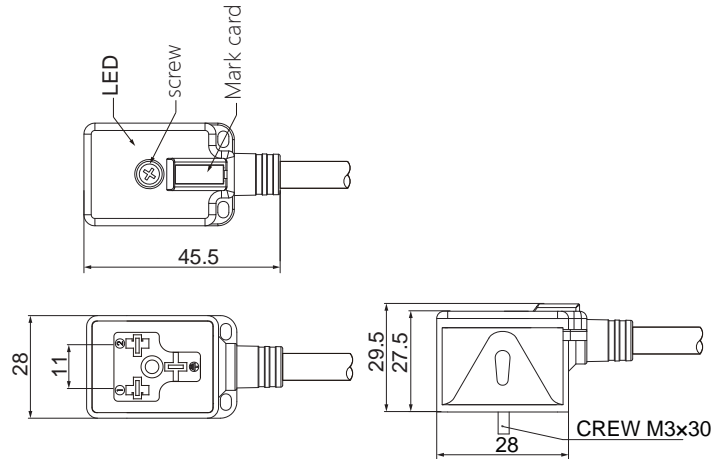
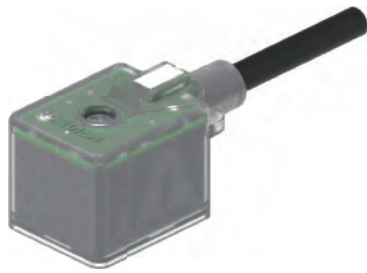
Key Commercial Data

- Packing unit: 2M/10PCS/Bag, 5M/5PCS/Bag, 10M/1PCS/Bag
- Small package (200x150x100), Medium (330x250x150), Large (400x300x230) mm

Type No.	ID No.	Length	Current	Voltage	Wire gauge	Pinout	Wire colors
VB21-2-EAM5/C00	10680035	2M	4A	0~220V	3x0.75 (3x18AWG) Black PVC, OD=6 No.: 19800165		
VB21-024-L-2-EAM5/C00	10680036	2M	4A	24V	3x0.75 (3x18AWG) Black PVC, OD=6 No.: 19800165		
VB21-110-L-2-EAM5/C00	10680037			110V			
VB21-220-L-2-EAM5/C00	10680038			220V			
VB21-024-LV-2-EAM5/C00	10680039	2M	4A	24V	3x0.75 (3x18AWG) Black PVC, OD=6 No.: 19800165		
VB21-110-LV-2-EAM5/C00	10680040			110V			
VB21-220-LV-2-EAM5/C00	10680041			220V			

* Standard cable lengths are 2/5/10M, Consult factory for other lengths. Optional cable C00: fixed installation of PVC, C10: fixed installation of oil-resistant PUR, C13: drag chain installation of PUR.

BI type valve connectors



Technical data

- Plug body: TPU/Black
- Coupling nut: Zinc/Nickel-plated
- Contact carrier: TPU+GF/Black
- Pin: Brass/silver-plated
- Degree of protection: IP67
- Insulation resistance: $\geq 1G\Omega$
- Forward resistance: $\leq 5m\Omega$
- Degree of pollution: 3
- Ambient temperature: $-25\sim +85^{\circ}C$
- Cable: Refer to cable specification for detailed data
- Plug: BI type valve (11mm)
- Insertion/withdrawal cycles: ≥ 50 (valve)
- Standards: EN 175301-803
- Torque: 0.4 Nm (M3 screw)

Key Commercial Data

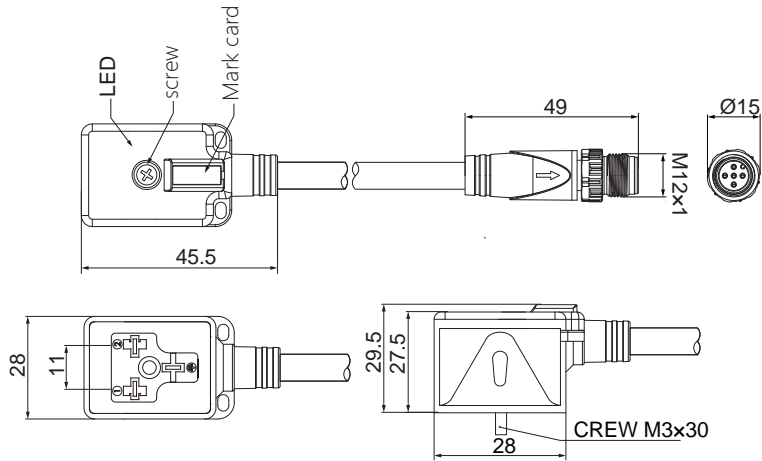
- Packing unit: 2M/10PCS/Bag, 5M/5PCS/Bag, 10M/1PCS/Bag
- Small package (200×150×100), Medium (330×250×150), Large (400×300×230) mm

Type No.	ID No.	Length	Current	Voltage	Wire gauge	Pinout	Wire colors
VBI21-2/C00	10680042	2M	4A	0~220V	3×0.75 (3×18AWG) Black PVC, OD=6 No.: 19800165		
VBI21-024-L-2/C00	10680043	2M	4A	24V	3×0.75 (3×18AWG) Black PVC, OD=6 No.: 19800165		
VBI21-110-L-2/C00	10680044			110V			
VBI21-220-L-2/C00	10680045			220V			
VBI21-024-LV-2/C00	10680046	2M	4A	24V	3×0.75 (3×18AWG) Black PVC, OD=6 No.: 19800165		
VBI21-110-LV-2/C00	10680047			110V			
VBI21-220-LV-2/C00	10680048			220V			

* Standard cable lengths are 2/5/10M, Consult factory for other lengths. Optional cable C00: fixed installation of PVC, C10: fixed installation of oil-resistant PUR, C13: drag chain installation of PUR

M8 M12 7/8" M16 M23 VALVE CC-LINK DeviceNet Profibus-DP E-Net & P-Net 分支器&分线盒

BI type valve connectors



Technical data

- Plug body: TPU/Black
- Coupling nut: Zinc/Nickel-plated
- Contact carrier: TPU+GF/Black
- Pin: Brass/silver-plated
- Degree of protection: IP67
- Insulation resistance: $\geq 1G\Omega$
- Forward resistance: $\leq 5m\Omega$
- Degree of pollution: 3
- Ambient temperature: $-25\sim +85^{\circ}C$
- Cable: Refer to cable specification for detailed data
- Plug: BI type valve (11mm), M12x1
- Insertion/withdrawal cycles: ≥ 50 (Valve), ≥ 100 (M12 Plug)
- Standards: Valve EN 175301-803, M12 IEC 61076-2-101
- Torque: 0.4 Nm (M3 screw, M12 Plug)

Key Commercial Data

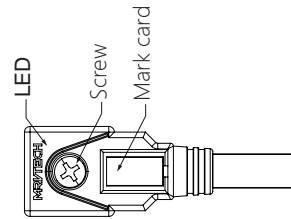
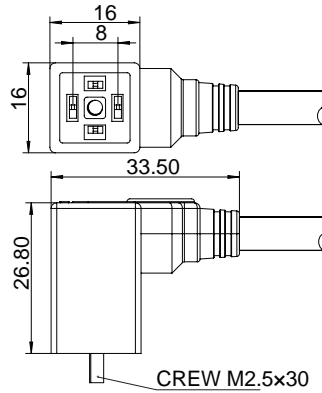
- Packing unit: 2M/10PCS/Bag, 5M/5PCS/Bag, 10M/1PCS/Bag
- Small package (200×150×100), Medium (330×250×150), Large (400×300×230) mm

Type No.	ID No.	Length	Current	Voltage	Wire gauge	Pinout	Wire colors
VBI21-2-EAM5/C00	10680049	2M	4A	0~220V	3×0.75 (3×18AWG) Black PVC, OD=6 No.: 19800165		
VBI21-024-L-2-EAM5/C00	10680050	2M	4A	24V	3×0.75 (3×18AWG) Black PVC, OD=6 No.: 19800165		
VBI21-110-L-2-EAM5/C00	10680051			110V			
VBI21-220-L-2-EAM5/C00	10680052			220V			
VBI21-024-LV-2-EAM5/C00	10680053	2M	4A	24V	3×0.75 (3×18AWG) Black PVC, OD=6 No.: 19800165		
VBI21-110-LV-2-EAM5/C00	10680054			110V			
VBI21-220-LV-2-EAM5/C00	10680055			220V			

* Standard cable lengths are 2/5/10M, Consult factory for other lengths. Optional cable C00: fixed installation of PVC, C10: fixed installation of oil-resistant PUR, C13: drag chain installation of PUR.

C type valve connectors

C type valve connectors



Technical data

- Plug body: TPU/Black
- Coupling nut: Zinc/Nickel-plated
- Contact carrier: TPU+GF/Black
- Pin: Brass/silver-plated
- Degree of protection: IP67
- Insulation resistance: $\geq 1G\Omega$
- Forward resistance: $\leq 5m\Omega$
- Degree of pollution: 3
- Ambient temperature: $-25\sim +85^{\circ}C$
- Cable: Refer to cable specification for detailed data
- Plug: C type valve (8mm)
- Insertion/withdrawal cycles: ≥ 50 (valve)
- Standards: EN 175301-803
- Torque: 0.4 Nm (M2.5 screw)

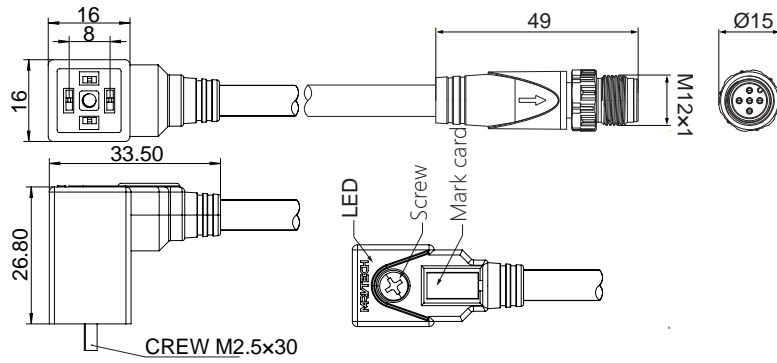
Key Commercial Data

- Packing unit: 2M/10PCS/Bag, 5M/5PCS/Bag, 10M/1PCS/Bag
- Small package (200×150×100), Medium (330×250×150), Large (400×300×230) mm

Type No.	ID No.	Length	Current	Voltage	Wire gauge	Pinout	Wire colors
VC21-2/C00	10680056	2M	4A	0~220V	3×0.75 (3×18AWG) Black PVC, OD=6 No.: 19800165		
VC21-024-L-2/C00	10680057	2M	4A	24V	3×0.75 (3×18AWG) Black PVC, OD=6 No.: 19800165		
VC21-110-L-2/C00	10680058			110V			
VC21-220-L-2/C00	10680059			220V			
VC21-024-LV-2/C00	10680060	2M	4A	24V	3×0.75 (3×18AWG) Black PVC, OD=6 No.: 19800165		
VC21-110-LV-2/C00	10680061			110V			
VC21-220-LV-2/C00	10680062			220V			

* Standard cable lengths are 2/5/10M, Consult factory for other lengths. Optional cable C00: fixed installation of PVC, C10: fixed installation of oil-resistant PUR, C13: drag chain installation of PUR.

C type valve connectors



Technical data

- Plug body: TPU/Black
- Coupling nut: Zinc/Nickel-plated
- Contact carrier: TPU+GF/Black
- Pin: Brass/silver-plated
- O-ring: FPM/FKM
- Insulation resistance: $\geq 1G\Omega$
- Forward resistance: $\leq 5m\Omega$
- Degree of pollution: 3
- Ambient temperature: $-25\sim +85^{\circ}C$
- Degree of protection: IP67
- Plug: C type valve (8mm), M12x1
- Insertion/withdrawal cycles: ≥ 50 (valve) , ≥ 100 (M12 Plug)
- Standards: Valve EN 175301-803, M12 IEC 61076-2-101
- Torque: 0.4 Nm (M2.5 screw,M12 Plug)
- Cable: Refer to cable specification for detailed data

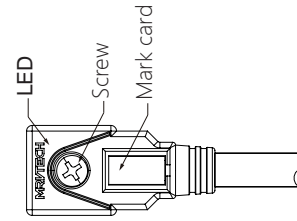
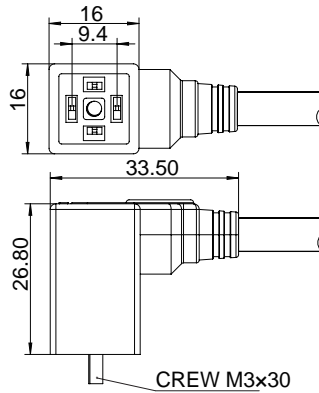
Key Commercial Data

- Packing unit: 2M/10PCS/Bag, 5M/5PCS/Bag, 10M/1PCS/Bag
- Small package (200x150x100) , Medium (330x250x150) , Large (400x300x230) mm

Type No.	ID No.	Length	Current	Voltage	Wire gauge	Pinout	Wire colors
VC21-2-EAM5/C00	10680063	2M	4A	0~220V	3x0.75 (3x18AWG) Black PVC, OD=6 No.: 19800165		 Valve M12 1 --- 4 2 --- 3 5 --- 5
VC21-024-L-2-EAM5/C00	10680064	2M	4A	24V	3x0.75 (3x18AWG) Black PVC, OD=6 No.: 19800165		 Valve M12 1 --- 4 2 --- 3 5 --- 5
VC21-110-L-2-EAM5/C00	10680065			110V			
VC21-220-L-2-EAM5/C00	10680066			220V			
VC21-024-LV-2-EAM5/C00	10680067	2M	4A	24V	3x0.75 (3x18AWG) Black PVC, OD=6 No.: 19800165		 Valve M12 1 --- 4 2 --- 3 5 --- 5
VC21-110-LV-2-EAM5/C00	10680068			110V			
VC21-220-LV-2-EAM5/C00	10680069			220V			

* Standard cable lengths are 2/5/10M,Consult factory for other lengths.Optional cable C00:fixed installation of PVC,C10:fixed installation of oil-resistant PUR,C13:drag chain installation of PUR.

CI type valve connectors



Technical data

- Plug body: TPU/Black
- Coupling nut: Zinc/Nickel-plated
- Contact carrier: TPU+GF/Black
- Pin: Brass/silver-plated
- O-ring: FPM/FKM
- Insulation resistance: $\geq 1G\Omega$
- Forward resistance: $\leq 5m\Omega$
- Degree of pollution: 3
- Ambient temperature: $-25\sim +85^{\circ}C$
- Degree of protection: IP67
- Plug: CI type valve (9.4mm)
- Insertion/withdrawal cycles: ≥ 50 (valve)
- Standards: Valve EN 175301-803
- Torque: 0.4 Nm (M3 screw)
- Cable: Refer to cable specification for detailed data

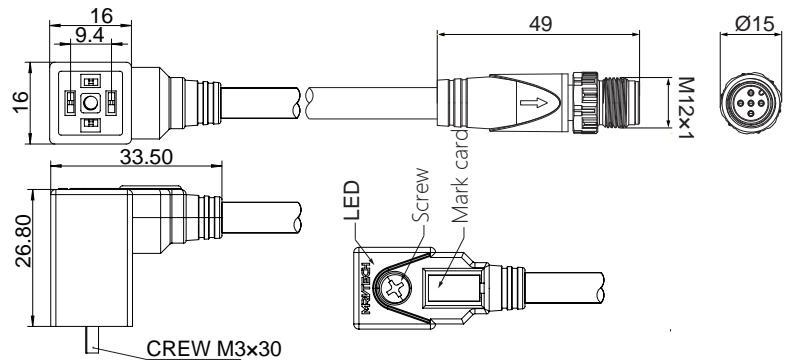
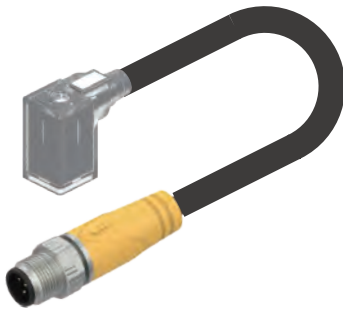
Key Commercial Data

- Packing unit: 2M/10PCS/Bag, 5M/5PCS/Bag, 10M/1PCS/Bag
- Small package (200×150×100), Medium (330×250×150), Large (400×300×230) mm

Type No.	ID No.	Length	Current	Voltage	Wire gauge	Pinout	Wire colors
VCI21-2/C00	10680070	2M	4A	0~220V	3×0.75 (3×18AWG) Black PVC, OD=6 No.: 19800165		
VCI21-024-L-2/C00	10680071	2M	4A	24V	3×0.75 (3×18AWG) Black PVC, OD=6 No.: 19800165		
VIC21-110-L-2/C00	10680072			110V			
VIC21-220-L-2/C00	10680073			220V			
VIC21-024-LV-2/C00	10680074	2M	4A	24V	3×0.75 (3×18AWG) Black PVC, OD=6 No.: 19800165		
VIC21-110-LV-2/C00	10680075			110V			
VIC21-220-LV-2/C00	10680076			220V			

* Standard cable lengths are 2/5/10M, Consult factory for other lengths. Optional cable C00: fixed installation of PVC, C10: fixed installation of oil-resistant PUR, C13: drag chain installation of PUR.

CI type valve connectors



Technical data

- Plug body: TPU/Black
- Coupling nut: Zinc/Nickel-plated
- Contact carrier: TPU+GF/Black
- Pin: Brass/silver-plated
- O-ring: FPM/FKM
- Insulation resistance: $\geq 1G\Omega$
- Forward resistance: $\leq 5m\Omega$
- Degree of pollution: 3
- Ambient temperature: $-25\sim+85^{\circ}C$
- Degree of protection: IP67
- Plug: CI type valve (9.4mm), M12x1
- Insertion/withdrawal cycles: ≥ 50 (valve), ≥ 100 (M12 Plug)
- Standards: Valve EN 175301-803, M12 IEC 61076-2-101
- Torque: 0.4 Nm (M3 screw, M12 Plug)
- Cable: Refer to cable specification for detailed data

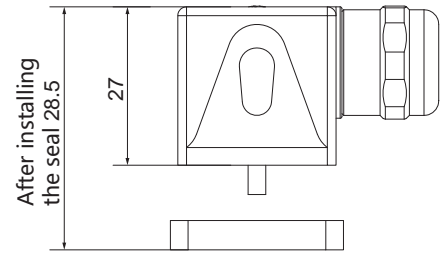
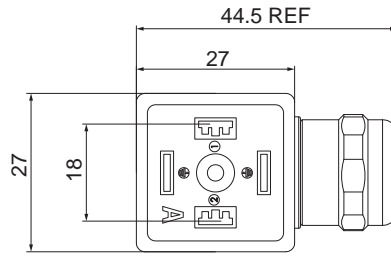
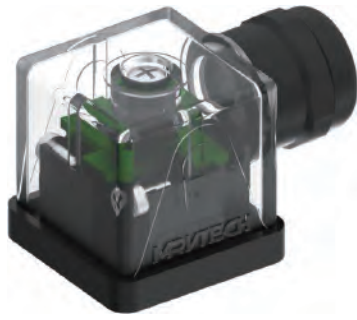
Key Commercial Data

- Packing unit: 2M/10PCS/Bag, 5M/5PCS/Bag, 10M/1PCS/Bag
- Small package (200x150x100), Medium (330x250x150), Large (400x300x230) mm

Type No.	ID No.	Length	Current	Voltage	Wire gauge	Pinout	Wire colors
VCI21-2-EAM5/C00	10680077	2M	4A	0~220V	3x0.75 (3x18AWG) Black PVC, OD=6 No.: 19800165		<p>Valve M12</p> <p>1 --- 4</p> <p>2 --- 3</p> <p>5 --- 5</p>
VCI21-024-L-2-EAM5/C00	10680078	2M	4A	24V	3x0.75 (3x18AWG) Black PVC, OD=6 No.: 19800165		<p>Valve M12</p> <p>1 --- 4</p> <p>2 --- 3</p> <p>5 --- 5</p>
VIC21-110-L-2-EAM5/C00	10680079			110V			
VIC21-220-L-2-EAM5/C00	10680080			220V			
VIC21-024-LV-2-EAM5/C00	10680081	2M	4A	24V	3x0.75 (3x18AWG) Black PVC, OD=6 No.: 19800165		<p>Valve M12</p> <p>1 --- 4</p> <p>2 --- 3</p> <p>5 --- 5</p>
VIC21-110-LV-2-EAM5/C00	10680082			110V			
VIC21-220-LV-2-EAM5/C00	10680083			220V			

* Standard cable lengths are 2/5/10M, Consult factory for other lengths. Optional cable C00: fixed installation of PVC, C10: fixed installation of oil-resistant PUR, C13: drag chain installation of PUR.

A type valve field wirable connectors



Technical data

- Housing material: PA6+GF/Transparent
- Insulation resistance: $\geq 1G\Omega$
- Plug: A type valve (18mm)
- Coupling nut: Zinc/Nickel-plated
- Forward resistance: $\leq 5m\Omega$
- Insertion/withdrawal cycles: ≥ 50 (valve)
- Contact carrier: TPU+GF/Black
- Degree of pollution: 3
- Standards: EN 175301-803
- Pin: Brass/silver-plated
- Ambient temperature: $-25\sim+85^{\circ}C$
- Torque: 0.4 Nm (M3 screw)
- O-ring: FPM/FKM
- Degree of protection: IP65
- Cable: Refer to cable specification for detailed data

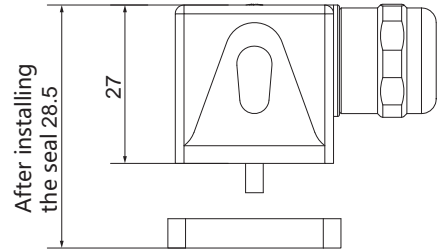
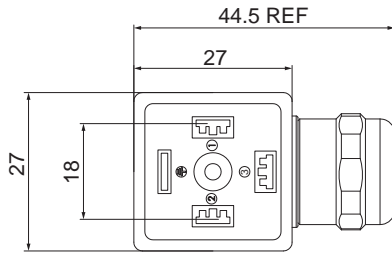
Key Commercial Data

- Packing unit: 1PCS/Bag, Small package (200×150×100) , Medium (330×250×150) , Large (400×300×230) mm

Type No.	ID No.	Connection	Current	Voltage	Wire gauge	Pinout	Wire colors
VA21-8	11680001	Screw connection	4A	0~220V	0.25~1.5 mm ² Accept cable diameter: 6~8mm (Black O-ring)		
VA21-024-L-8	11680002	Screw connection	4A	24V	0.25~1.5 mm ² Accept cable diameter: 6~8mm (Black O-ring)		
VA21-110-L-8	11680003			110V			
VA21-220-L-8	11680004			220V			
VA21-024-LV-8	11680005	Screw connection	4A	24V	0.25~1.5 mm ² Accept cable diameter: 6~8mm (Black O-ring)		
VA21-110-LV-8	11680006			110V			
VA21-220-LV-8	11680007			220V			

* VA21 type valve field wirable connector *

A type valve field wirable connectors



Technical data

- Housing material: PA6+GF/Transparent
- Insulation resistance: $\geq 1G\Omega$
- Plug: A type valve (18mm)
- Coupling nut: Zinc/Nickel-plated
- Forward resistance: $\leq 5m\Omega$
- Insertion/withdrawal cycles: ≥ 50 (valve)
- Contact carrier: TPU+GF/Black
- Degree of pollution: 3
- Standards: EN 175301-803
- Pin: Brass/silver-plated
- Ambient temperature: $-25\sim+85^{\circ}C$
- Torque: 0.4 Nm (M3 screw)
- O-ring: FPM/FKM
- Degree of protection: IP65
- Cable: Refer to cable specification for detailed data

Key Commercial Data

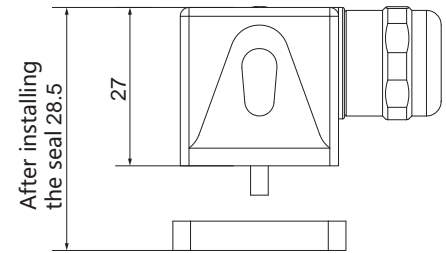
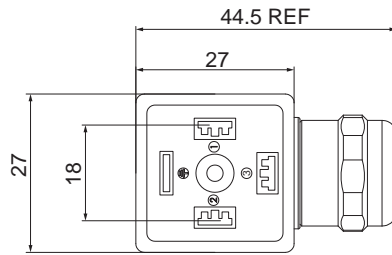
- Packing unit: 1PCS/Bag, Small package (200×150×100) , Medium (330×250×150) , Large (400×300×230) mm

Type No.	ID No.	Connection	Current	Voltage	Wire gauge	Pinout	Wire colors
VA31-8	11680008	Screw connection	4A	0~220V	0.25~1.5 mm ² Accept cable diameter: 6~8mm (Black O-ring)		Valve
VA31-024-L-8	11680009	Screw connection	4A	24V	0.25~1.5 mm ² Accept cable diameter: 6~8mm (Black O-ring)		Valve
VA31-110-L-8	11680010			110V			
VA31-220-L-8	11680011			220V			
VA31-024-LV-8	11680012	Screw connection	4A	24V	0.25~1.5 mm ² Accept cable diameter: 6~8mm (Black O-ring)		Valve
VA31-110-LV-8	11680013			110V			
VA31-220-LV-8	11680014			220V			

* VA31 type valve field wirable connector *

A type valve field wirable connectors

A type valve field wirable connectors



Technical data

- Plug body: PA6+GF/Transparent
- Coupling nut: Zinc/Nickel-plated
- Contact carrier: TPU+GF/Black
- Pin: Brass/silver-plated
- O-ring: FPM/FKM
- Insulation resistance: $\geq 1G\Omega$
- Forward resistance: $\leq 5m\Omega$
- Degree of pollution: 3
- Ambient temperature: $-25\sim+85^{\circ}C$
- Degree of protection: IP65
- Plug: A type valve (18mm)
- Insertion/withdrawal cycles: ≥ 50 (valve)
- Standards: EN 175301-803
- Torque: 0.4 Nm (M3 screw)
- Cable: Refer to cable specification for detailed data

Key Commercial Data

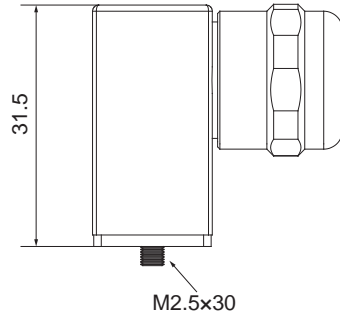
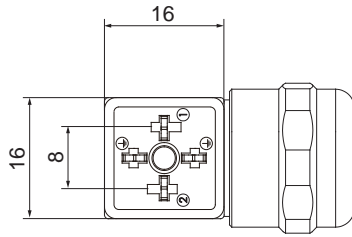
- Packing unit: 1PCS/Bag, Small package (200×150×100) , Medium (330×250×150) , Large (400×300×230) mm

Type No.	ID No.	Connection	Current	Voltage	Wire gauge	Pinout	Wire colors
VAD-024-L-8	11680015	Screw connection	4A	24V	0.25~1.5 mm ² Accept cable diameter: 6~8mm (Black O-ring)		

* VAD type valve field wirable connector *

M8 M12 7/8" M16 M23 VALVE E-Net & P-Net 分支器&分线盒 Profibus-DP DeviceNet CC-LINK

C type valve field wirable connectors



Technical data

- Plug body: PA6+GF/Transparent
- Coupling nut: Zinc/Nickel-plated
- Contact carrier: TPU+GF/Black
- Pin: Brass/silver-plated
- O-ring: FPM/FKM
- Insulation resistance: $\geq 1G\Omega$
- Forward resistance: $\leq 5m\Omega$
- Degree of pollution: 3
- Ambient temperature: $-25\sim+85^{\circ}C$
- Degree of protection: IP65
- Plug: C type valve (8mm)
- Insertion/withdrawal cycles: ≥ 50 (valve)
- Standards: EN 175301-803
- Torque: 0.4 Nm (M2.5 screw)

Key Commercial Data

- Packing unit: 1PCS/Bag, Small package (200×150×100) , Medium (330×250×150) , Large (400×300×230) mm

Type No.	ID No.	Connection	Current	Voltage	Wire gauge	Pinout	Wire colors
VC21-8	11680030	Screw connection	4A	24V	0.25~1.5 mm ² Accept cable diameter: 6~8mm (Black O-ring)		
VC21-024-L-8	11680031	Screw connection	4A	24V	0.25~1.5 mm ² Accept cable diameter: 6~8mm (Black O-ring)		
VC21-110-L-8	11680032			110V			
VC21-220-L-8	11680033			220V			
VC21-024-LV-8	11680034	Screw connection	4A	24V	0.25~1.5 mm ² Accept cable diameter: 6~8mm (Black O-ring)		
VC21-110-LV-8	11680035			110V			
VC21-220-LV-8	11680036			220V			

* VC21 type valve field wirable connector *

M8

M12

7/8"

M16

M23

VALVE

分支器 & 分线盒

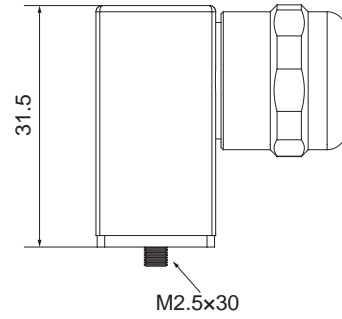
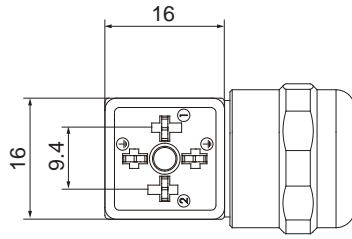
E-Net & P-Net

Profibus-DP

DeviceNet

CC-LINK

CI type valve field wirable connectors



Technical data

- Plug body: PA6+GF/Transparent
- Coupling nut: Zinc/Nickel-plated
- Contact carrier: TPU+GF/Black
- Pin: Brass/silver-plated
- O-ring: FPM/FKM
- Insulation resistance: $\geq 1G\Omega$
- Forward resistance: $\leq 5m\Omega$
- Degree of pollution: 3
- Ambient temperature: $-25\sim+85^{\circ}C$
- Degree of protection: IP65
- Plug: CI type valve (9.4mm)
- Insertion/withdrawal cycles: ≥ 50 (valve)
- Standards: EN 175301-803
- Torque: 0.4 Nm (M3 screw)

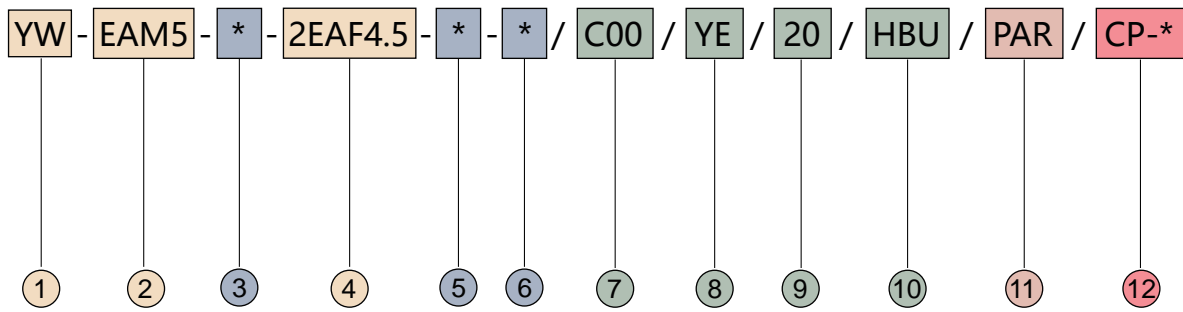
Key Commercial Data

- Packing unit: 1PCS/Bag, Small package (200×150×100) , Medium (330×250×150) , Large (400×300×230) mm

Type No.	ID No.	Connection	Current	Voltage	Wire gauge	Pinout	Wire colors
VCI21-8	11680037	Screw connection	4A	24V	0.25~1.5 mm ² Accept cable diameter: 6~8mm (Black O-ring)		
VCI21-024-L-8	11680038	Screw connection	4A	24V	0.25~1.5 mm ² Accept cable diameter: 6~8mm (Black O-ring)		
VCI21-110-L-8	11680039			110V			
VCI21-220-L-8	11680040			220V			
VCI21-024-LV-8	11680041	Screw connection	4A	24V	0.25~1.5 mm ² Accept cable diameter: 6~8mm (Black O-ring)		
VCI21-110-LV-8	11680042			110V			
VCI21-220-LV-8	11680043			220V			

* VCI type valve field wirable connector *

SPLITTERS & JUNCTION BOX



- ① Y = Y-shaped compact splitters
YV = YV-shaped compact splitters
YW = YW-shaped compact splitters
YX = YX-shaped compact splitters
- ② EAM4 = M12 Male 4pin straight
EAM5 = M12 Male 5pin straight
(Refer to the M8/M12 pre-moulting plug body rule)
- ③ Blank = No cables at the front end
* = Cable Length(M) main cable
Can be customized
With 0.1M as increment
The shortest length is 0.2M
- ④ 2EAF3 = 2 Branch M12 Female 3pin straight
2EAF4.5 = 2 Branch M12 Female 4.5pin straight
(Refer to the M8/M12 pre-moulting plug body rule)
- ⑤ Blank = Branch 1 without cable
* = Cable Length(M) Branch 1
Can be customized
With 0.1M as increment
The shortest length is 0.2M
- ⑥ Blank = Branch 2 without cable
* = Cable Length(M) Branch 2
Can be customized
With 0.1M as increment
The shortest length is 0.2M
- ⑦ Reference cable code
- ⑧ Color of cable
Blank = Standard color
Customized cable color
YE = Yellow
GY = Gray
- ⑨ Wire gauge
Blank = Standard wire gauge
Customized wire gauge
20 20AWG: 0.5 mm²
....
- ⑩ Color of plug body
Blank = Standard color (Yellow)
Customized plug body color
HBK Black
HBU Blue
- ⑪ Blank = Standard circuit
PAR = Parallel circuit
SER= Series circuit
OAC= Often open and normally closed compatibility
- ⑫ Customized products
* = Customized code

M8

M12

7/8"

M16

M23

阀式连接器

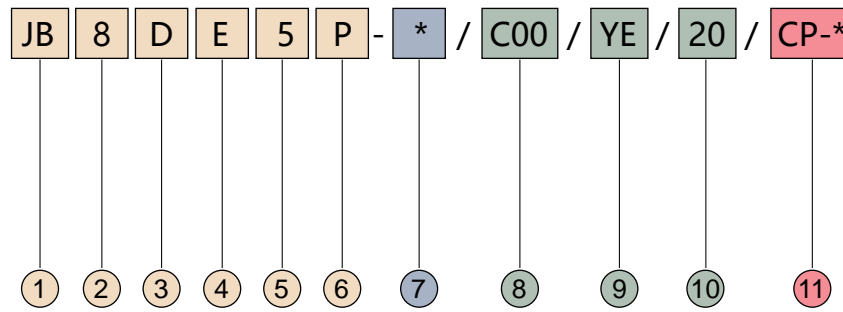
SPLITTER

E-Net & P-Net

Profibus-DP

DeviceNet

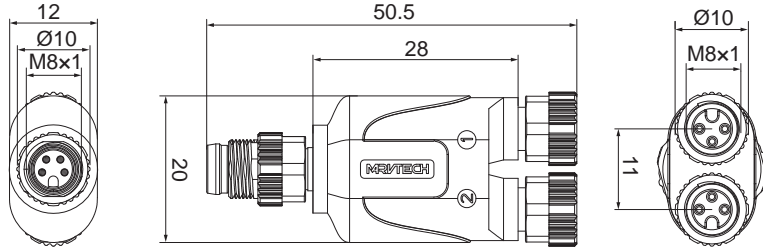
CC-LINK



- ① JB = Junction box
- ② 4 = 4 ports
6 = 6 ports
8 = 8 ports
- ③ Blank = single signal
(1 signal per port, No.4 pin)
D = double signal
(2 signal per port, No. 2,4 pin)
- ④ S = M8 ports junction box
E = M12 ports junction box
- ⑤ 3 = M8 3pin/ports
4 = M8 4pin/ports
5 = M12 5pin/ports
- ⑥ Blank = No LED
P = PNP LED
N = NPN LED
PN = PNP and NPN compatible, LED
- ⑦ * = Main cable length(M)
Can be customized
With 0.1M as increment
The shortest length is 0.2M.
J = Terminal connection
DM14.8 = M16 Horizontal connection 14.8pin
DWM14.8 = M16 vertical connection 14.8pin
DM14.10 = M16 Horizontal connection 14.10pin
DWM14.10 = M16 vertical connection 14.10pin
GSM12.7 = M23 Horizontal connection 12.7pin
GWSM12.7 = M23 vertical connection 12.7pin
GSM12.9 = M23 Horizontal connection 12.9pin
GWSM12.9 = M23 vertical connection 12.9pin
GSM12.11 = M23 Horizontal connection 12.11pin
GWSM12.11 = M23 vertical connection 12.11pin
GSM19.14 = M23 Horizontal connection 19.14pin
GWSM19.14 = M23 vertical connection 19.14pin
GSM19.15 = M23 Horizontal connection 19.15pin
GWSM19.15 = M23 vertical connection 19.15pin
GSM19 = M23 Horizontal connection 19pin
GWSM19 = M23 vertical connection 19pin
- ⑧ Reference cable code
- ⑨ Color of cable
Blank = Standard color
Customized cable color
YE = Yellow
GY = Gray
- ⑩ Wire gauge
Blank = Standard wire gauge
Customized wire gauge
20 20AWG: 0.5 mm²
....
- ⑪ Customized products
* = Customized code

M8
M12
7/8
M16
M23
阀式连接器
Junction Box
E-Net & P-Net
Profibus-DP
DeviceNet
CC-LINK

M8 Y-shaped compact splitters, Anti-vibration



Technical data

- Plug body: TPU/Yellow
- Coupling nut: Zinc/Nickel-plated
- Contact carrier: TPU+GF/Black
- Pin: Brass/Gold-plated
- O-ring: FPM/FKM
- Insulation resistance: $\geq 100M\Omega$
- Forward resistance: $\leq 5m\Omega$
- Degree of pollution: 3
- Ambient temperature: $-25\sim +85^{\circ}C$
- Degree of protection: IP67
- Plug: M8x1
- Coding: A-CODE
- Insertion/withdrawal cycles: ≥ 100
- Standards: IEC 61076-2-104
- Torque: 0.2 Nm (M8 Plug connector)

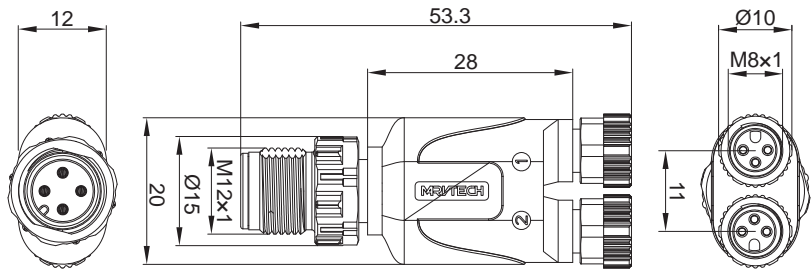
Key Commercial Data

- Packing unit: 1PCS/Bag
- Small package (200×150×100) , Medium (330×250×150) , Large (400×300×230) mm

Type No.	ID No.	Coding	Current	Voltage	Pinout	Circuit
Y-SAM4-2SAF3	13080006	A-CODE	2A	60V		
Y-SAM3-2SAF3/PAR	13080007	A-CODE	2A	60V		
Y-SAM4-2SAF4/PAR	13080008	A-CODE	2A	60V		

* M8 Y-shaped compact splitters, customizable circuit, customizable plug body color/HBK(Black) , /HBU(Blue) , /HGY(Gray) *

M12 to M8 Y-shaped compact splitters, Anti-vibration



Technical data

- Plug body: TPU/Yellow
- Coupling nut: Zinc/Nickel-plated
- Contact carrier: TPU+GF/Black
- Pin: Brass/Gold-plated
- O-ring: FPM/FKM
- Insulation resistance: $\geq 100M\Omega$
- Forward resistance: $\leq 5m\Omega$
- Degree of pollution: 3
- Ambient temperature: $-25\sim +85^{\circ}C$
- Degree of protection: IP67
- Plug: M12x1; M8x1
- Coding: A-CODE
- Insertion/withdrawal cycles: ≥ 100
- Standards: IEC 61076-2-104
- Torque: 0.4 Nm/M12; 0.2 Nm/M8

Key Commercial Data

- Packing unit: 1PCS/Bag
- Small package (200x150x100) , Medium (330x250x150) , Large (400x300x230) mm

Type No.	ID No.	Coding	Current	Voltage	Pinout	Circuit
Y-EAM4-2SAF3	13120055	A-CODE	2A	60V		
Y-EAM3-2SAF3/PAR	13120056	A-CODE	2A	60V		
Y-EAM4-2SAF4/PAR	13120057	A-CODE	2A	60V		

* M12 to M8 Y-shaped compact splitters , customizable circuit, customizable plug body color/HBK(Black) , /HBU(Blue) , /HGY(Gray) *

M8

M12

7/8"

M16

M23

阀式连接器

SPLITTER

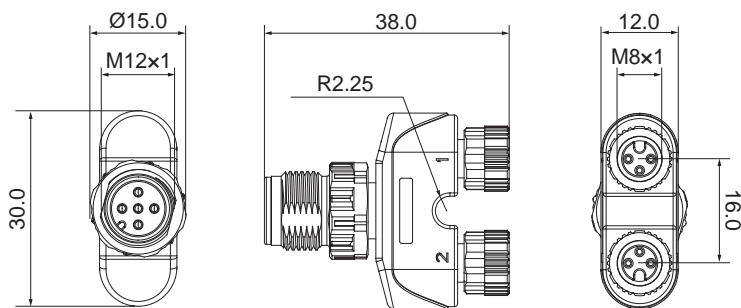
Profibus-DP

DeviceNet

CC-LINK

E-Net & P-Net

M12 to M8 YV-shaped compact splitters, Anti-vibration



Technical data

- Plug body: TPU/Yellow
- Coupling nut: Zinc/Nickel-plated
- Contact carrier: TPU+GF/Black
- Pin: Brass/Gold-plated
- O-ring: FPM/FKM
- Insulation resistance: $\geq 100M\Omega$
- Forward resistance: $\leq 5m\Omega$
- Degree of pollution: 3
- Ambient temperature: $-25\sim +85^{\circ}C$
- Degree of protection: IP67
- Plug: M12x1; M8x1
- Coding: A-CODE
- Insertion/withdrawal cycles: ≥ 100
- Standards: IEC 61076-2-104
- Torque: 0.4 Nm/M12; 0.2 Nm/M8

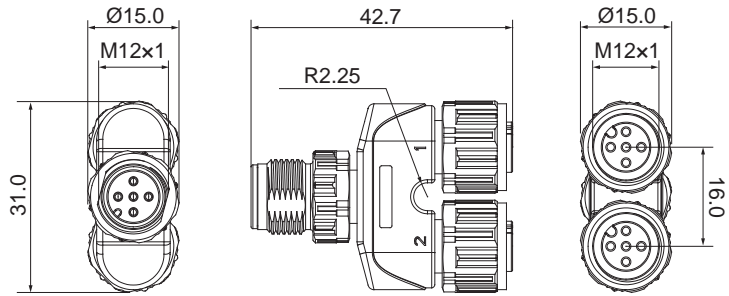
Key Commercial Data

- Packing unit: 1PCS/Bag
Small package (200x150x100) , Medium (330x250x150) , Large (400x300x230) mm

Type No.	ID No.	Coding	Current	Voltage	Pinout	Circuit
YV-EAM4-2SAF3	13120046	A-CODE	2A	60V		
YV-EAM3-2SAF3/PAR	13120047	A-CODE	2A	60V		
YV-EAM4-2SAF4/PAR	13120048	A-CODE	2A	60V		

* M12 to M8 YV-shaped compact splitters, customizable circuit, customizable plug body color/HBK(Black), /HBU(Blue), /HGY(Gray) *

M12 YV-shaped compact splitters, Anti-vibration



Technical data

- Plug body: TPU/Yellow
- Coupling nut: Zinc/Nickel-plated
- Contact carrier: TPU+GF/Black
- Pin: Brass/Gold-plated
- O-ring: FPM/FKM
- Insulation resistance: $\geq 100M\Omega$
- Forward resistance: $\leq 5m\Omega$
- Degree of pollution: 3
- Ambient temperature: $-25\sim +85^{\circ}C$
- Degree of protection: IP67
- Plug: M12x1
- Coding: A-CODE
- Insertion/withdrawal cycles: ≥ 100
- Standards: IEC 61076-2-104
- Torque: 0.4 Nm (M12 Plug connector)

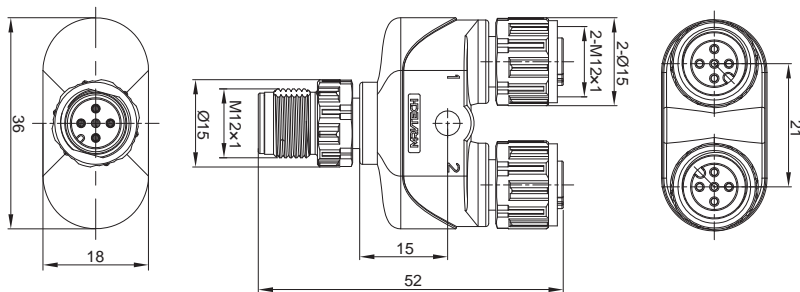
Key Commercial Data

- Packing unit: 1PCS/Bag
Small package (200x150x100) , Medium (330x250x150) , Large (400x300x230) mm

Type No.	ID No.	Coding	Current	Voltage	Pinout	Circuit
YV-EAM4-2EAF3	13120049	A-CODE	4A	250V		
YV-EAM5-2EAF4.5	13120050	A-CODE	4A	250V		
YV-EAM5-2EAF5/OAC	13120052	A-CODE	4A	250V		

* M12 YV-shaped compact splitters, customizable circuit, customizable plug body color/HBK(Black), /HBU(Blue), /HGY(Gray) *

M12 YW-shaped compact splitters, Anti-vibration



Technical data

- Plug body: TPU/Yellow
- Coupling nut: Zinc/Nickel-plated
- Contact carrier: TPU+GF/Black
- Pin: Brass/Gold-plated
- O-ring: FPM/FKM
- Insulation resistance: $\geq 100M\Omega$
- Forward resistance: $\leq 5m\Omega$
- Degree of pollution: 3
- Ambient temperature: $-25\sim +85^{\circ}C$
- Degree of protection: IP67
- Plug: M12x1
- Coding: A-CODE
- Insertion/withdrawal cycles: ≥ 100
- Standards: IEC 61076-2-104
- Torque: 0.4 Nm (M12 Plug connector)

Key Commercial Data

- Packing unit: 1PCS/Bag
- Small package (200x150x100) , Medium (330x250x150) , Large (400x300x230) mm

Type No.	ID No.	Coding	Current	Voltage	Pinout	Circuit
YW-EAM4-2EAF3	13120008	A-CODE	4A	250V		
YW-EAM5-2EAF4.5	13120009	A-CODE	4A	250V		
YW-EAM4-2EAF4/PAR	13120058	A-CODE	4A	250V		

* M12 YW-shaped compact splitters, customizable circuit, customizable plug body color/HBK(Black), /HBU(Blue), /HGY(Gray) *

M8

M12

7/8"

M16

M23

阀式连接器

SPLITTER

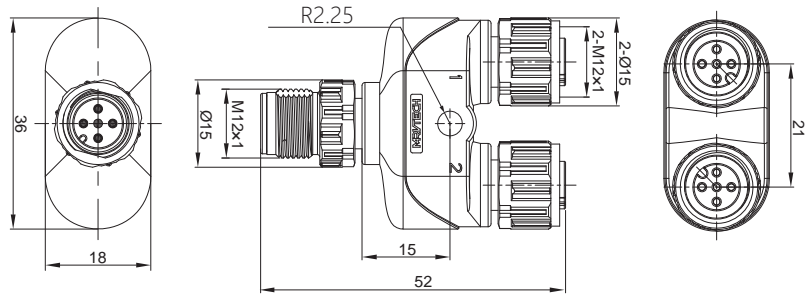
E-Net & P-Net

Profibus-DP

DeviceNet

CC-LINK

M12 YW-shaped compact splitters, Anti-vibration



Technical data

- Plug body: TPU/Yellow
- Coupling nut: Zinc/Nickel-plated
- Contact carrier: TPU+GF/Black
- Pin: Brass/Gold-plated
- O-ring: FPM/FKM
- Insulation resistance: $\geq 100M\Omega$
- Forward resistance: $\leq 5m\Omega$
- Degree of pollution: 3
- Ambient temperature: $-25\sim +85^{\circ}C$
- Degree of protection: IP67
- Plug: M12×1
- Coding: A-CODE
- Insertion/withdrawal cycles: ≥ 100
- Standards: IEC 61076-2-104
- Torque: 0.4 Nm (M12 Plug connector)

Key Commercial Data

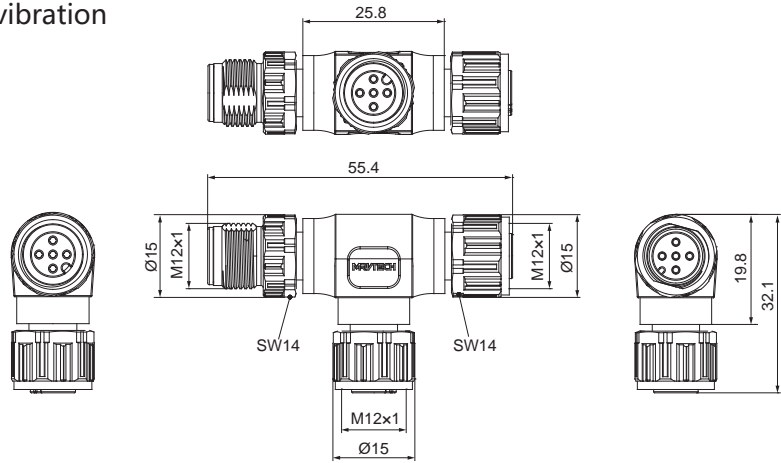
- Packing unit: 1PCS/Bag
- Small package (200×150×100) , Medium (330×250×150) , Large (400×300×230) mm

Type No.	ID No.	Coding	Current	Voltage	Pinout	Circuit
YW-EAM5-2EAF5/OAC	13120059	A-CODE	4A	250V		
YW-EAM5-2EAF5/PAR	13120060	A-CODE	4A	250V		
YW-EAM3-2EAF3/SER	13120061	A-CODE	4A	250V		

* M12 YW-shaped compact splitters, customizable circuit, customizable plug body color/HBK(Black), /HBU(Blue), /HGY(Gray) *

M12 A-code T-shaped compact splitters 3/4/5pins

M12 T-shaped compact splitters, Anti-vibration



Technical data

- Plug body: TPU/Yellow
- Coupling nut: Zinc/Nickel-plated
- Contact carrier: TPU+GF/Black
- Pin: Brass/Gold-plated
- O-ring: FPM/FKM
- Insulation resistance: $\geq 100M\Omega$
- Forward resistance: $\leq 5m\Omega$
- Degree of pollution: 3
- Ambient temperature: $-25\sim +85^{\circ}C$
- Degree of protection: IP67
- Plug: M12 \times 1
- Coding: A-CODE
- Insertion/withdrawal cycles: ≥ 100
- Standards: IEC 61076-2-104
- Torque: 3~4 Nm (M12 Plug connector)

Key Commercial Data

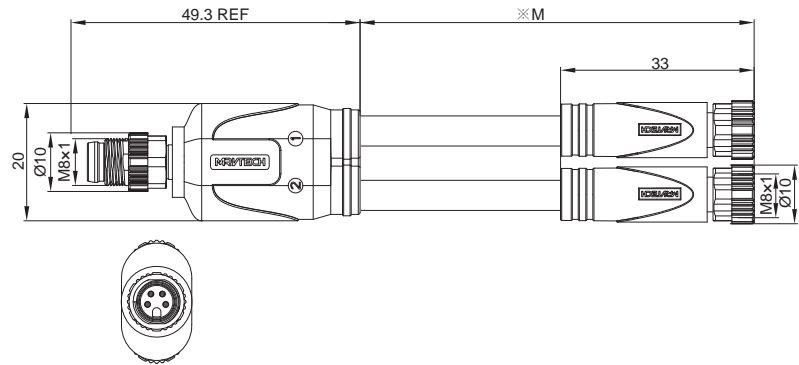
- Packing unit: 1PCS/Bag
- Small package (200 \times 150 \times 100) , Medium (330 \times 250 \times 150) , Large (400 \times 300 \times 230) mm

Type No.	ID No.	Coding	Current	Voltage	Pinout	Circuit
T-EAM3-2EAF3	13120000	A-CODE	4A	250V		
T-EAM4-2EAF4	13120001	A-CODE	4A	250V		
T-EAM5-2EAF5	13120002	A-CODE	4A	250V		

* M12 T-shaped compact splitters, parallel circuit, customizable circuit, customizable plug body color/HBK(Black), /HBU(Blue), /HGY(Gray) *

M8
M12
7/8"
M16
M23
CC-LINK
DeviceNet
Profibus-DP
E-Net & P-Net
SPLITTER
阀式连接器

M8 Y-shaped compact splitters, 2 Branch, Anti-vibration



Technical data

- Plug body: TPU/Yellow
- Coupling nut: Zinc/Nickel-plated
- Contact carrier: TPU+GF/Black
- Pin: Brass/Gold-plated
- O-ring: FPM/FKM
- Insulation resistance: $\geq 100M\Omega$
- Forward resistance: $\leq 5m\Omega$
- Degree of pollution: 3
- Ambient temperature: $-25\sim +85^{\circ}C$
- Degree of protection: IP67
- Plug: M8x1
- Coding: A-CODE
- Insertion/withdrawal cycles: ≥ 100
- Standards: IEC 61076-2-104
- Torque: 0.2 Nm (M8 Plug connector)

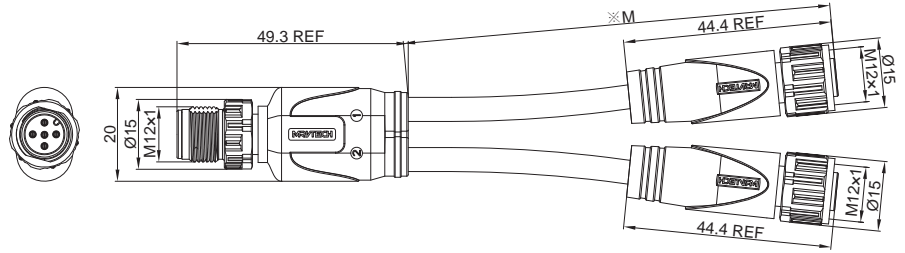
Key Commercial Data

- Packing unit: 1PCS/Bag
Small package (200×150×100) , Medium (330×250×150) , Large (400×300×230) mm

Type No.	ID No.	Coding	Current	Voltage	Pinout	Circuit
Y-SAM4-2SAF3-2-2/C00	13080009	A-CODE	2A	60V		
Y-SAM3-2SAF3-2-2/C00/PAR	13080010	A-CODE	2A	60V		
Y-SAM4-2SAF4-2-2/C00/PAR	13080011	A-CODE	2A	60V		

* M8 Y-shaped compact splitters 2 Branch, customizable circuit, customizable cable length, customizable plug body color/HBK(Black), /HBU(Blue), /HGY(Gray) *

M12 Y-shaped compact splitters, 2 Branch, Anti-vibration



Technical data

- Plug body: TPU/Yellow
- Coupling nut: Zinc/Nickel-plated
- Contact carrier: TPU+GF/Black
- Pin: Brass/Gold-plated
- O-ring: FPM/FKM
- Insulation resistance: $\geq 100M\Omega$
- Forward resistance: $\leq 5m\Omega$
- Degree of pollution: 3
- Ambient temperature: $-25\sim +85^{\circ}C$
- Degree of protection: IP67
- Plug: M12x1
- Coding: A-CODE
- Insertion/withdrawal cycles: ≥ 100
- Standards: IEC 61076-2-104
- Torque: 0.4 Nm (M12 Plug connector)

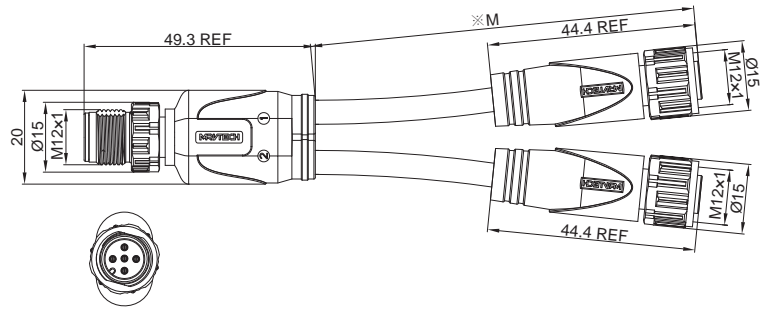
Key Commercial Data

- Packing unit: 10PCS/Bag
Small package (200×150×100) , Medium (330×250×150) , Large (400×300×230) mm

Type No.	ID No.	Coding	Current	Voltage	Pinout	Circuit
Y-EAM5-2EAF5-2-2/C00/OAC	13120069	A-CODE	2A	60V		
Y-EAM5-2EAF5-2-2/C00/PAR	13120070	A-CODE	2A	60V		
Y-EAM3-2EAF3-2-2/C00/SER	13120071	A-CODE	2A	60V		

* M12 Y-shaped compact splitters 2 Branch, customizable circuit, customizable cable length, customizable plug body color/HBK(Black), /HBU(Blue), /HGY(Gray) *

M12 Y-shaped compact splitters, 2 Branch, Anti-vibration



Technical data

- Plug body: TPU/Yellow
- Coupling nut: Zinc/Nickel-plated
- Contact carrier: TPU+GF/Black
- Pin: Brass/Gold-plated
- O-ring: FPM/FKM
- Insulation resistance: $\geq 100M\Omega$
- Forward resistance: $\leq 5m\Omega$
- Degree of pollution: 3
- Ambient temperature: $-25\sim +85^{\circ}C$
- Degree of protection: IP67
- Plug: M12×1
- Coding: A-CODE
- Insertion/withdrawal cycles: ≥ 100
- Standards: IEC 61076-2-104
- Torque: 0.4 Nm (M12 Plug connector)

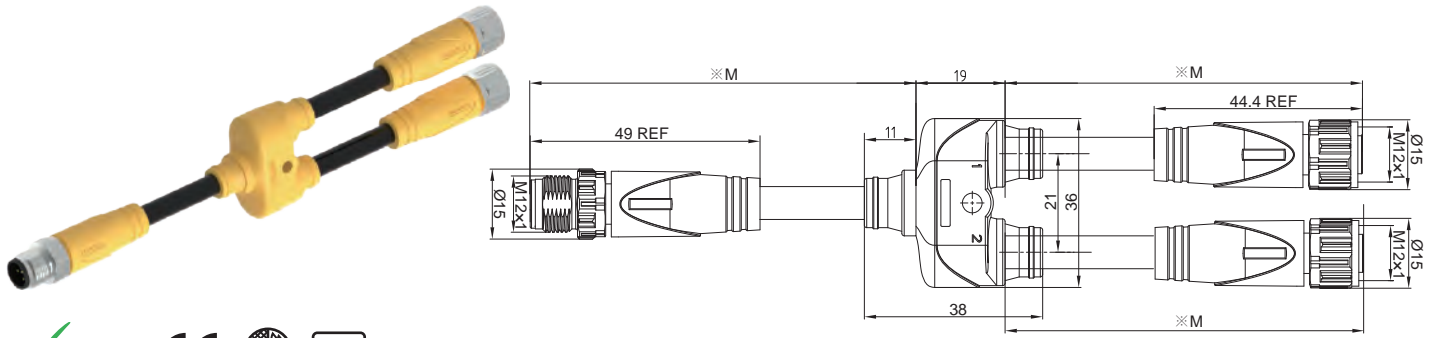
Key Commercial Data

- Packing unit: 10PCS/Bag
- Small package (200×150×100) , Medium (330×250×150) , Large (400×300×230) mm

Type No.	ID No.	Coding	Current	Voltage	Pinout	Circuit
Y-EAM4-2EAF3-2-2/C00	13120066	A-CODE	2A	60V		
Y-EAM5-2EAF4.5-2-2/C00	13120067	A-CODE	2A	60V		
Y-EAM4-2EAF4-2-2/C00/PAR	13120068	A-CODE	2A	60V		

* M12 M12 Y-shaped compact splitters 2 Branch, customizable circuit, customizable cable length, customizable plug body color/HBK(Black), /HBU(Blue), /HGY(Gray) *

M12 YW-shaped compact splitters, 3 Branch, Anti-vibration



Technical data

- Plug body: TPU/Yellow
- Coupling nut: Zinc/Nickel-plated
- Contact carrier: TPU+GF/Black
- Pin: Brass/Gold-plated
- O-ring: FPM/FKM
- Insulation resistance: $\geq 100M\Omega$
- Forward resistance: $\leq 5m\Omega$
- Degree of pollution: 3
- Ambient temperature: $-25\sim +85^{\circ}C$
- Degree of protection: IP67
- Plug: M12 \times 1
- Coding: A-CODE
- Insertion/withdrawal cycles: ≥ 100
- Standards: IEC 61076-2-104
- Torque: 0.4 Nm (M12 Plug connector)

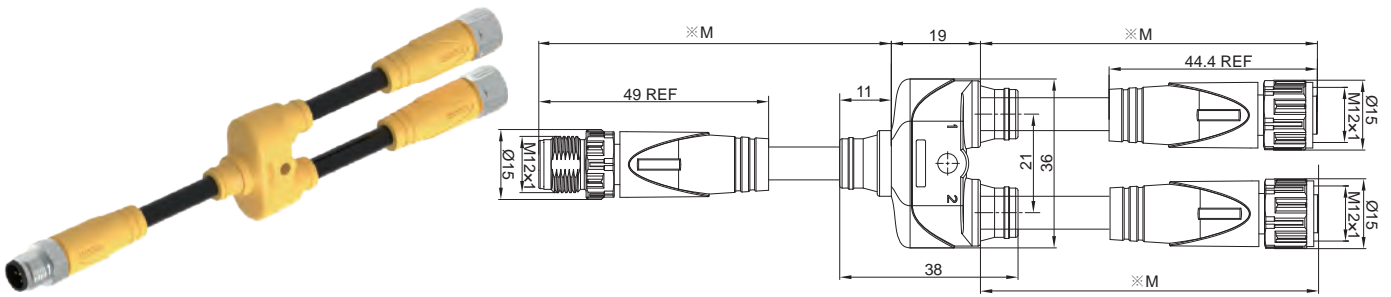
Key Commercial Data

- Packing unit: 10PCS/Bag
- Small package (200 \times 150 \times 100) , Medium (330 \times 250 \times 150) , Large (400 \times 300 \times 230) mm

Type No.	ID No.	Coding	Current	Voltage	Pinout	Circuit
YW-EAM5-2-2EAF5-2-2/C00/OAC	13120075	A-CODE	2A	60V		
YW-EAM5-2-2EAF5-2-2/C00/PAR	13120076	A-CODE	2A	60V		
YW-EAM3-2-2EAF3-2-2/C00/SER	13120077	A-CODE	2A	60V		

* M12 YW-shaped compact splitters 3 Branch, customizable circuit, customizable cable length, customizable plug body color/HBK(Black), /HBU(Blue), /HGY(Gray) *

M12 YW-shaped compact splitters, 3 Branch, Anti-vibration



Technical data

- Plug body: TPU/Yellow
- Coupling nut: Zinc/Nickel-plated
- Contact carrier: TPU+GF/Black
- Pin: Brass/Gold-plated
- O-ring: FPM/FKM
- Insulation resistance: $\geq 100M\Omega$
- Forward resistance: $\leq 5m\Omega$
- Degree of pollution: 3
- Ambient temperature: $-25\sim +85^{\circ}C$
- Degree of protection: IP67
- Plug: M12x1
- Coding: A-CODE
- Insertion/withdrawal cycles: ≥ 100
- Standards: IEC 61076-2-104
- Torque: 0.4 Nm (M12 Plug connector)

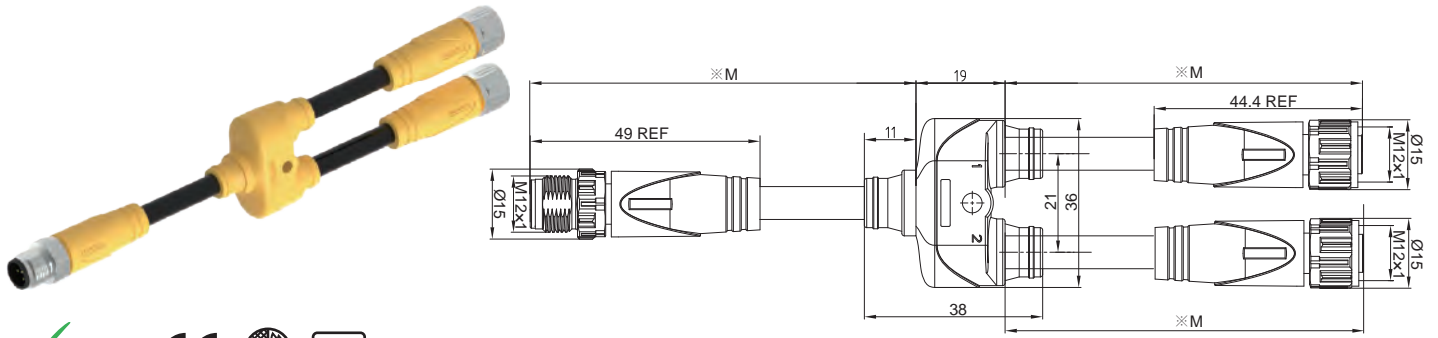
Key Commercial Data

- Packing unit: 10PCS/Bag
- Small package (200x150x100) , Medium (330x250x150) , Large (400x300x230) mm

Type No.	ID No.	Coding	Current	Voltage	Pinout	Circuit
YW-EAM4-2-2EAF3-2-2/C00	13120072	A-CODE	2A	60V		
YW-EAM5-2-2EAF4.5-2-2/C00	13120073	A-CODE	2A	60V		
YW-EAM4-2-2EAF4-2-2/C00/OAC	13120074	A-CODE	2A	60V		

* M12 YW-shaped compact splitters 3 Branch, customizable circuit, customizable cable length, customizable plug body color/HBK(Black), /HBU(Blue), /HGY(Gray) *

M12 YW-shaped compact splitters, 3 Branch, Anti-vibration



Technical data

- Plug body: TPU/Yellow
- Coupling nut: Zinc/Nickel-plated
- Contact carrier: TPU+GF/Black
- Pin: Brass/Gold-plated
- O-ring: FPM/FKM
- Insulation resistance: $\geq 100M\Omega$
- Forward resistance: $\leq 5m\Omega$
- Degree of pollution: 3
- Ambient temperature: $-25\sim +85^{\circ}C$
- Degree of protection: IP67
- Plug: M12 \times 1
- Coding: A-CODE
- Insertion/withdrawal cycles: ≥ 100
- Standards: IEC 61076-2-104
- Torque: 0.4 Nm (M12 Plug connector)

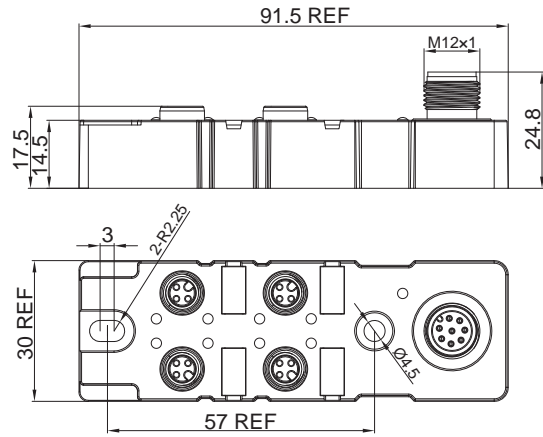
Key Commercial Data

- Packing unit: 10PCS/Bag
Small package (200 \times 150 \times 100) , Medium (330 \times 250 \times 150) , Large (400 \times 300 \times 230) mm

Type No.	ID No.	Coding	Current	Voltage	Pinout	Circuit
YW-EAM5-2-2EAF5-2-2/C00/OAC	13120075	A-CODE	2A	60V		
YW-EAM5-2-2EAF5-2-2/C00/PAR	13120076	A-CODE	2A	60V		
YW-EAM3-2-2EAF3-2-2/C00/SER	13120077	A-CODE	2A	60V		

* M12 YW-shaped compact splitters 3 Branch, customizable circuit, customizable cable length, customizable plug body color/HBK(Black), /HBU(Blue), /HGY(Gray) *

M8 4 ports, single signal ,M12 vertical connection



Technical data

- Housing material: PA66/Black
- Contact carrier: TPU/Black
- Coupling nut: Brass/Nickel
- Pin: Brass/Gold-plated
- O-ring: FPM/FKM
- Total current intensity: 6A
- Port current intensity: 2A
- Load voltage: 10~30VDC
- Insulation resistance: $\geq 100M\Omega$
- Forward resistance: $\leq 5m\Omega$
- Main socket: M12x1
- Insertion/withdrawal cycles: ≥ 100
- Ambient temperature: $-25\sim +85^{\circ}C$
- Degree of pollution: 3
- Degree of protection: IP67

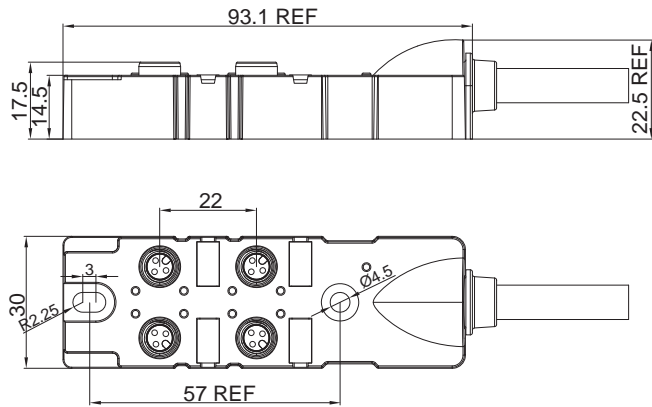
Key Commercial Data

- Packing unit: 1PCS/Box
- Small package (200×150×100) , Medium (330×250×150) , Large (400×300×230) mm

Type No.	ID No.	Specifications	Circuit
JB4S3-EWAM8.6	14080004	M8 4 ports junction box 1 signal per port No LED M12 vertical connection Cable type No: EAF8.6-*/C00	
JB4S3P-EWAM8.6	14080005	M8 4 ports junction box 1 signal per port PNP, LED M12 vertical connection Cable type No: EAF8.6-*/C00	
JB4S3N-EWAM8.6	14080006	M8 4 ports junction box 1 signal per port NPN, LED M12 vertical connection Cable type No: EAF8.6-*/C00	

* M8 4 ports, single signal, M12 vertical connection *

M8 4 ports, single signal, cable connection



Technical data

- Housing material: PA66/Black
- Contact carrier: TPU/Black
- Coupling nut: Brass/Nickel
- Pin: Brass/Gold-plated
- O-ring: FPM/FKM
- Current intensity: 6A(total)/2A(port)
- LED current: 10mA
- Load voltage: 10~30VDC
- Insulation resistance: $\geq 100M\Omega$
- Forward resistance: $\leq 5m\Omega$
- Main socket: cable connection
- Insertion/withdrawal cycles: ≥ 100
- Ambient temperature: $-25\sim +85^{\circ}C$
- Degree of pollution: 3
- Degree of protection: IP67

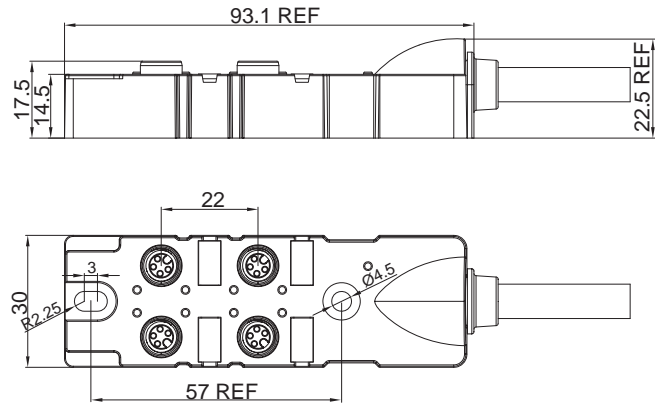
Key Commercial Data

- Packing unit: 1PCS/Box
- Small package (200×150×100) , Medium (330×250×150) , Large (400×300×230) mm

Type No.	ID No.	Specifications	Circuit
JB4S3-2/C00	14080007	M8 4 ports junction box 1 signal per port No LED Cable connection 2×0.5+4×0.25 (2×20+4×24AWG) Black PVC, OD=7 No.:19800252	
JB4S3P-2/C00	14080003	M8 4 ports junction box 1 signal per port PNP, LED Cable connection 2×0.5+4×0.25 (2×20+4×24AWG) Black PVC, OD=7 No.:19800252	
JB4S3N-2/C00	14080008	M8 4 ports junction box 1 signal per port NPN, LED Cable connection 2×0.5+4×0.25 (2×20+4×24AWG) Black PVC, OD=7 No.:19800252	

* M8 4 ports, single signal, cable connection *

M8 4 ports, 2 signals, cable connection



Technical data

- Housing material: PA66/Black
- Contact carrier: TPU/Black
- Coupling nut: Brass/Nickel
- Pin: Brass/Gold-plated
- O-ring: FPM/FKM
- Current intensity: 6A(total)/2A(port)
- LED current: 10mA
- Load voltage: 10~30VDC
- Insulation resistance: $\geq 100M\Omega$
- Forward resistance: $\leq 5m\Omega$
- Main socket: cable connection
- Insertion/withdrawal cycles: ≥ 100
- Ambient temperature: $-25\sim +85^{\circ}C$
- Degree of pollution: 3
- Degree of protection: IP67

Key Commercial Data

- Packing unit: 1PCS/Box
- Small package (200×150×100) , Medium (330×250×150) , Large (400×300×230) mm

Type No.	ID No.	Specifications	Circuit
JB4DS4-2/C00	14080009	M8 4 ports junction box 2 signals per port No LED Cable connection 2×0.5+8×0.25 (2×20+8×24AWG) Black PVC, OD=8 No.:19800163	
JB4DS4P-2/C00	14080010	M8 4 ports junction box 2 signals per port PNP, LED Cable connection 2×0.5+8×0.25 (2×20+8×24AWG) Black PVC, OD=8 No.:19800163	
JB4DS4N-2/C00	14080011	M8 4 ports junction box 2 signals per port NPN, LED Cable connection 2×0.5+8×0.25 (2×20+8×24AWG) Black PVC, OD=8 No.:19800163	

* M8 4 ports, 2 signals, cable connection *

M8

M12

7/8"

M16

M23

阀式连接器

Junction box

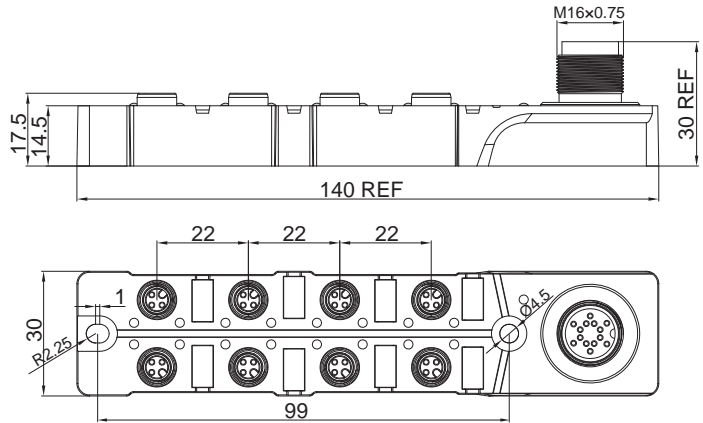
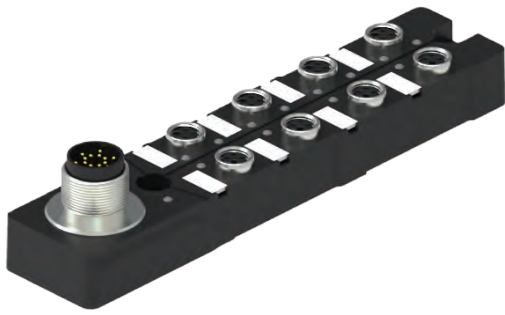
E-Net & P-Net

Profibus-DP

DeviceNet

CC-LINK

M8 8 ports, single signal ,M16 vertical connection



Technical data

- Housing material: PA66/Black
- Contact carrier: TPU/Black
- Coupling nut: Brass/Nickel
- Pin: Brass/Gold-plated
- O-ring: FPM/FKM
- Current intensity: 6A(total)/2A(port)
- LED current: 10mA
- Load voltage: 10~30VDC
- Insulation resistance: $\geq 100M\Omega$
- Forward resistance: $\leq 5m\Omega$
- Main socket: M16x1
- Insertion/withdrawal cycles: ≥ 100
- Ambient temperature: $-25\sim +85^{\circ}C$
- Degree of pollution: 3
- Degree of protection: IP67

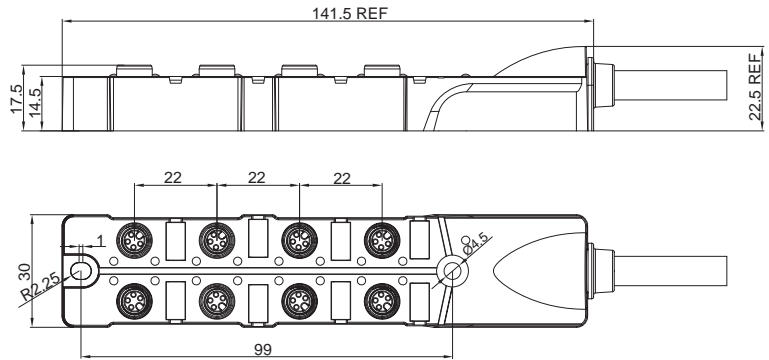
Key Commercial Data

- Packing unit: 1PCS/Box
- Small package (200x150x100) , Medium (330x250x150) , Large (400x300x230) mm

Type No.	ID No.	Specifications	Circuit
JB8S3-DWM14.10	14080012	M8 8 ports junction box 1 signal per port No LED M16 vertical connection Cable type No: DF14.10-*/C00	
JB8S3P-DWM14.10	14080013	M8 8 ports junction box 1 signal per port LED PNP M16 vertical connection Cable type No: DF14.10-*/C00	
JB8S3N-DWM14.10	14080014	M8 8 ports junction box 1 signal per port LED NPN M16 vertical connection Cable type No: DF14.10-*/C00	

* M8 8 ports,single signal,M16 vertical connection *

M8 8 ports, single signal, cable connection



Technical data

- Housing material: PA66/Black
- Contact carrier: TPU/Black
- Coupling nut: Brass/Nickel
- Pin: Brass/Gold-plated
- O-ring: FPM/FKM
- Current intensity: 6A(total)/2A(port)
- LED current: 10mA
- Load voltage: 10~30VDC
- Insulation resistance: $\geq 100M\Omega$
- Forward resistance: $\leq 5m\Omega$
- Main socket: cable connection
- Insertion/withdrawal cycles: ≥ 100
- Ambient temperature: $-25\sim +85^{\circ}C$
- Degree of pollution: 3
- Degree of protection: IP67

Key Commercial Data

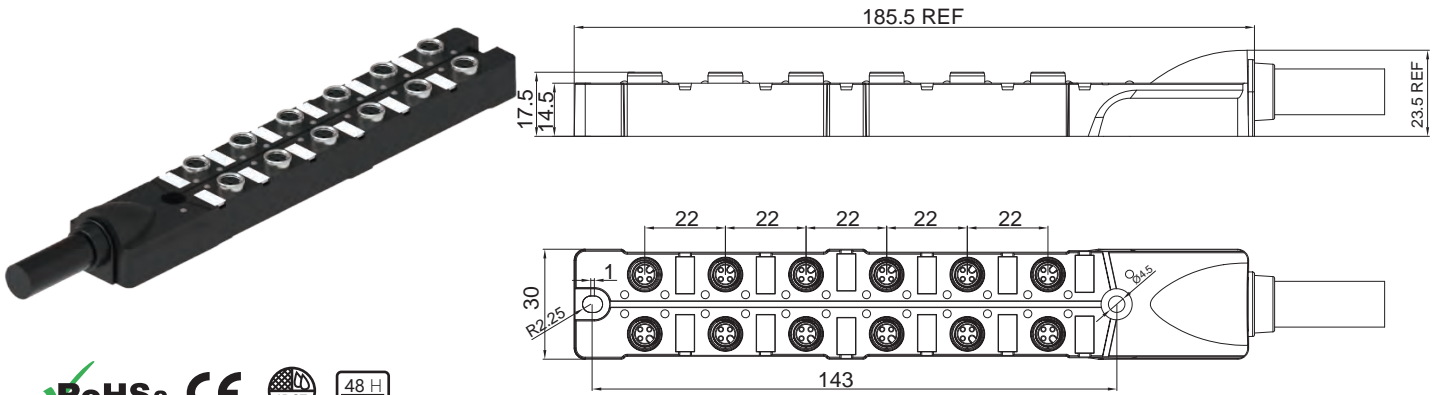
- Packing unit: 1PCS/Box
- Small package (200×150×100) , Medium (330×250×150) , Large (400×300×230) mm

Type No.	ID No.	Specifications	Circuit
JB8S3-2/C00	14080015	M8 8 ports junction box 1 signal per port No LED Cable connection 2×0.5+8×0.25 (2×20+8×24AWG) Black PVC, OD=8 No.:19800163	
JB8S3P-2/C00	14080016	M8 8 ports junction box 1 signal per port PNP, LED Cable connection 2×0.5+8×0.25 (2×20+8×24AWG) Black PVC, OD=8 No.:19800163	
JB8S3N-2/C00	14080017	M8 8 ports junction box 1 signal per port NPN, LED Cable connection 2×0.5+8×0.25 (2×20+8×24AWG) Black PVC, OD=8 No.:19800163	

* M8 8 ports, single signal, cable connection *

M8 12 ports, single signal, cable connection

M8 12 ports, single signal, cable connection



Technical data

- Housing material: PA66/Black
- Contact carrier: TPU/Black
- Coupling nut: Brass/Nickel
- Pin: Brass/Gold-plated
- O-ring: FPM/FKM
- Current intensity: 6A(total)/2A(port)
- LED current: 10mA
- Load voltage: 10~30VDC
- Insulation resistance: $\geq 100M\Omega$
- Forward resistance: $\leq 5m\Omega$
- Main socket: cable connection
- Insertion/withdrawal cycles: ≥ 100
- Ambient temperature: $-25\sim +85^{\circ}C$
- Degree of pollution: 3
- Degree of protection: IP67

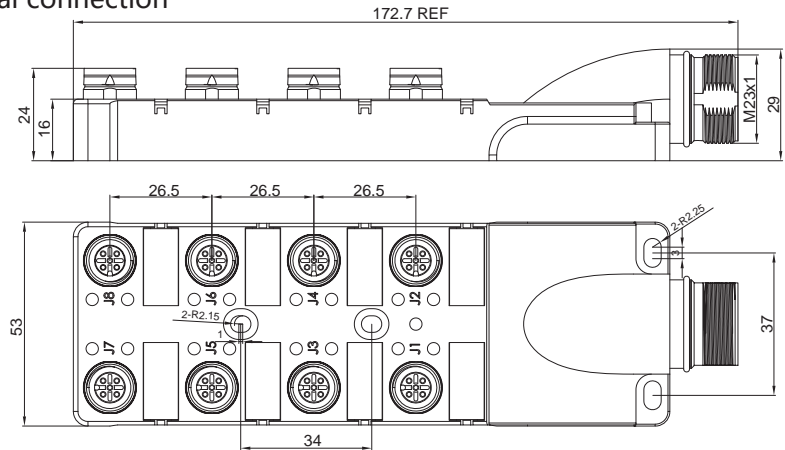
Key Commercial Data

- Packing unit: 1PCS/Box
- Small package (200×150×100) , Medium (330×250×150) , Large (400×300×230) mm

Type No.	ID No.	Specifications	Circuit
JB12S3-2/C00	14080021	M8 12 ports junction box 1 signal per port No LED Cable connection 2×0.5+12×0.25 (2×20+12×24AWG) Black PVC, OD=8 No.:19800247	
JB12S3P-2/C00	14080022	M8 12 ports junction box 1 signal per port PNP, LED Cable connection 2×0.5+12×0.25 (2×20+12×24AWG) Black PVC, OD=8 No.:19800247	
JB12S3N-2/C00	14080023	M8 12 ports junction box 1 signal per port NPN, LED Cable connection 2×0.5+12×0.25 (2×20+12×24AWG) Black PVC, OD=8 No.:19800247	

* M8 12 ports, single signal, cable connection *

M12 8 ports, single signal, M23 horizontal connection



Technical data

- Housing material: PA66/Black
- Contact carrier: TPU/Black
- Coupling nut: Brass/Nickel
- Pin: Brass/Gold-plated
- O-ring: FPM/FKM
- Current intensity: 9A(total)/2A(port)
- LED current: 10mA
- Load voltage: 10~30VDC
- Insulation resistance: ≥100MΩ
- Forward resistance: ≤5mΩ
- Main socket: M23 horizontal connection
- Insertion/withdrawal cycles: ≥ 100
- Ambient temperature: -25~+85°C
- Degree of pollution: 3
- Degree of protection: IP67

Key Commercial Data

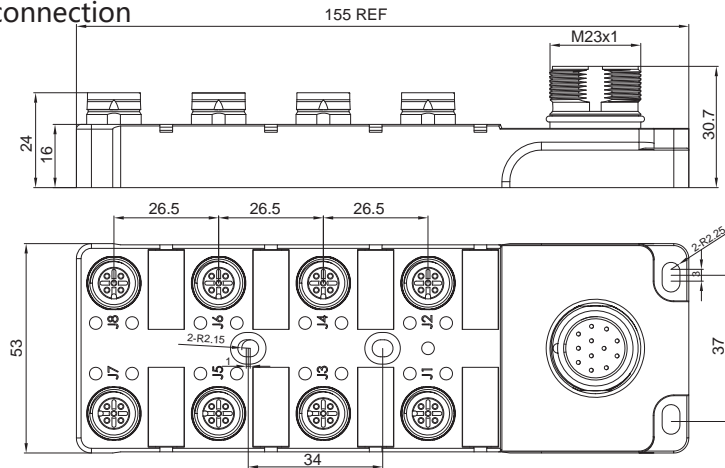
- Packing unit: 1PCS/Box
- Small package (200×150×100) , Medium (330×250×150) , Large (400×300×230) mm

Type No.	ID No.	Specifications	Circuit
JB8E5-GSM12.11	14120010	M12 8 ports junction box 1 signal per port No LED M23 horizontal connection Cable type No: GNF12.11-2/C00	
JB8E5P-GSM12.11	14120011	M12 8 ports junction box 1 signal per port PNP, LED M23 horizontal connection Cable type No: GNF12.11-2/C00	
JB8E5N-GSM12.11	14120012	M12 8 ports junction box 1 signal per port NPN, LED M23 horizontal connection Cable type No: GNF12.11-2/C00	

* M12 8 ports, single signal, M23 horizontal connection *

M12 8 ports, single signal, M23 vertical connection

M12 8 ports, single signal, M23 vertical connection



Technical data

- Housing material: PA66/Black
- Contact carrier: TPU/Black
- Coupling nut: Brass/Nickel
- Pin: Brass/Gold-plated
- O-ring: FPM/FKM
- Current intensity: 9A(Total)/2A(Port)
- LED current: 10mA
- Load voltage: 10~30VDC
- Insulation resistance: $\geq 100M\Omega$
- Forward resistance: $\leq 5m\Omega$
- Main socket: M23 vertical connection
- Insertion/withdrawal cycles: ≥ 100
- Ambient temperature: $-25\sim +85^{\circ}C$
- Degree of pollution: 3
- Degree of protection: IP67

Key Commercial Data

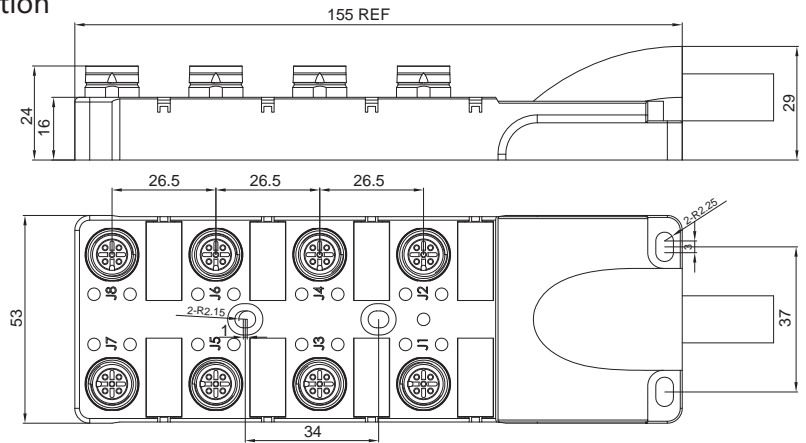
- Packing unit: 1PCS/Box
- Small package (200×150×100) , Medium (330×250×150) , Large (400×300×230) mm

Type No.	ID No.	Specifications	Circuit
JB8E5-GWSM12.11	14120013	M12 8 ports junction box 1 signal per port No LED M23 vertical connection Cable type No: GNF12.11-2/C00	
JB8E5P-GWSM12.11	14120014	M12 8 ports junction box 1 signal per port PNP, LED M23 vertical connection Cable type No: GNF12.11-2/C00	
JB8E5N-GWSM12.11	14120015	M12 8 ports junction box 1 signal per port NPN, LED M23 vertical connection Cable type No: GNF12.11-2/C00	

* M12 8 ports, single signal, M23 vertical connection *

M8, M12, 7/8", M16, M23, 阀式连接器, Junction box, E-Net & P-Net, Profibus-DP, DeviceNet, CC-LINK

M12 8 ports, single signal, cable connection



Technical data

- Housing material: PA66/Black
- Contact carrier: TPU/Black
- Coupling nut: Brass/Nickel
- Pin: Brass/Gold-plated
- O-ring: FPM/FKM
- Current intensity: 9A(total)/2A(port)
- LED current: 10mA
- Load voltage: 10~30VDC
- Insulation resistance: $\geq 100M\Omega$
- Forward resistance: $\leq 5m\Omega$
- Main socket: cable connection
- Insertion/withdrawal cycles: ≥ 100
- Ambient temperature: $-25\sim +85^{\circ}C$
- Degree of pollution: 3
- Degree of protection: IP67

Key Commercial Data

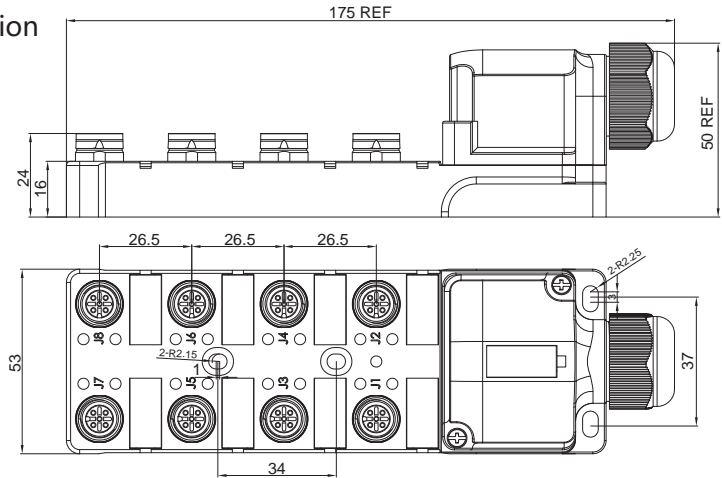
- Packing unit: 1PCS/Box
- Small package (200×150×100) , Medium (330×250×150) , Large (400×300×230) mm

Type No.	ID No.	Specifications	Circuit
JB8E5-2/C00	14120016	M12 8 ports junction box 1 signal per port No LED Cable connection 3×0.75+8×0.34 (3×18+8×22AWG) Black PVC, OD8.5 No.:19800234	
JB8E5P-2/C00	14120017	M12 8 ports junction box 1 signal per port PNP, LED Cable connection 3×0.75+8×0.34 (3×18+8×22AWG) Black PVC, OD8.5 No.:19800234	
JB8E5N-2/C00	14120018	M12 8 ports junction box 1 signal per port NPN, LED Cable connection 3×0.75+8×0.34 (3×18+8×22AWG) Black PVC, OD8.5 No.:19800234	

* M12 8 ports, single signal, cable connection *

M12 8 ports, single signal, terminal connection

M12 8 ports, single signal, terminal connection



Technical data

- Housing material: PA66/Black
- Contact carrier: TPU/Black
- Coupling nut: Brass/Nickel
- Pin: Brass/Gold-plated
- O-ring: FPM/FKM
- Current intensity: 9A(total)/2A(port)
- LED current: 10mA
- Load voltage: 10~30VDC
- Insulation resistance: $\geq 100M\Omega$
- Forward resistance: $\leq 5m\Omega$
- Main socket: terminal connection
- Insertion/withdrawal cycles: ≥ 100
- Ambient temperature: $-25\sim +85^{\circ}C$
- Degree of pollution: 3
- Degree of protection: IP67

Key Commercial Data

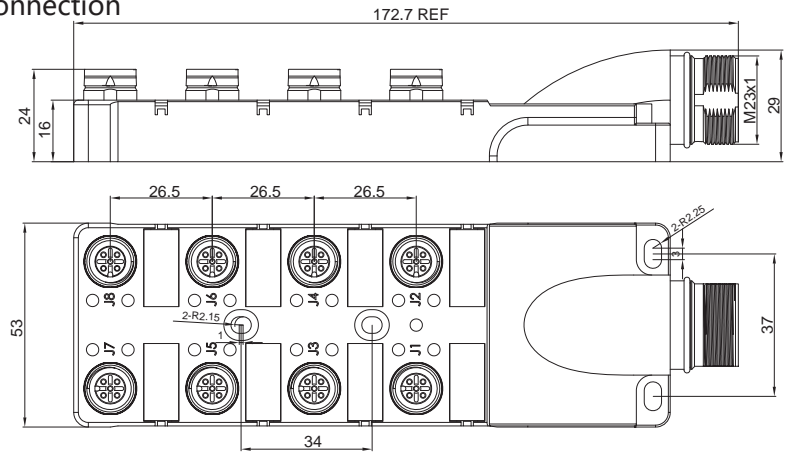
- Packing unit: 1PCS/Box
- Small package (200×150×100) , Medium (330×250×150) , Large (400×300×230) mm

Type No.	ID No.	Specifications	Circuit
JB8E5-J	14120019	M12 8 ports junction box 1 signal per port No LED Terminal connection Cable type No: 3×0.75+8×0.34 (3×18+8×22AWG) Black PVC, OD8.5 No.:19800234	
JB8E5P-J	14120020	M12 8 ports junction box 1 signal per port PNP, LED Terminal connection Cable type No: 3×0.75+8×0.34 (3×18+8×22AWG) Black PVC, OD8.5 No.:19800234	
JB8E5N-J	14120021	M12 8 ports junction box 1 signal per port NPN, LED Terminal connection Cable type No: 3×0.75+8×0.34 (3×18+8×22AWG) Black PVC, OD8.5 No.:19800234	

* M12 8 ports, single signal, terminal connection *

M8, M12, 7/8", M16, M23, 阀式连接器, Junction box, E-Net & P-Net, Profibus-DP, DeviceNet, CC-LINK

M12 8 ports, 2 signal, M23 horizontal connection



Technical data

- Housing material: PA66/Black
- Contact carrier: TPU/Black
- Coupling nut: Brass/Nickel
- Pin: Brass/Gold-plated
- O-ring: FPM/FKM
- Current intensity: 9A(total)/2A(port)
- LED current: 10mA
- Load voltage: 10~30VDC
- Insulation resistance: $\geq 100M\Omega$
- Forward resistance: $\leq 5m\Omega$
- Main socket: M23 horizontal connection
- Insertion/withdrawal cycles: ≥ 100
- Ambient temperature: -25~+85°C
- Degree of pollution: 3
- Degree of protection: IP67

Key Commercial Data

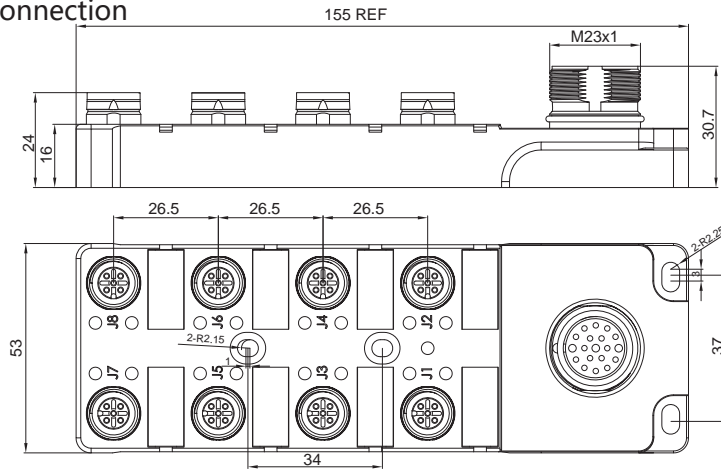
- Packing unit: 1PCS/Box
- Small package (200×150×100) , Medium (330×250×150) , Large (400×300×230) mm

Type No.	ID No.	Specifications	Circuit
JB8DE5-GSM19	14120022	M12 8 ports junction box 2 signals per port No LED M23 horizontal connection Cable type No: GNF19-2/C00	
JB8DE5P-GSM19	14120023	M12 8 ports junction box 2 signals per port PNP, LED M23 horizontal connection Cable type No: GNF19-2/C00	
JB8DE5N-GSM19	14120024	M12 8 ports junction box 2 signals per port NPN, LED M23 horizontal connection Cable type No: GNF19-2/C00	

* M12 8 ports, 2 signal, M23 horizontal connection *

M12 8 ports, 2 signal, M23 vertical connection

M12 8 ports, 2 signal ,M23 vertical connection



Technical data

- Housing material: PA66/Black
- Contact carrier: TPU/Black
- Coupling nut: Brass/Nickel
- Pin: Brass/Gold-plated
- O-ring: FPM/FKM
- Current intensity: 9A(Total)/2A(Port)
- LED current: 10mA
- Load voltage: 10~30VDC
- Insulation resistance: $\geq 100M\Omega$
- Forward resistance: $\leq 5m\Omega$
- Main socket: M23 vertical connection
- Insertion/withdrawal cycles: ≥ 100
- Ambient temperature: $-25\sim +85^{\circ}C$
- Degree of pollution: 3
- Degree of protection: IP67

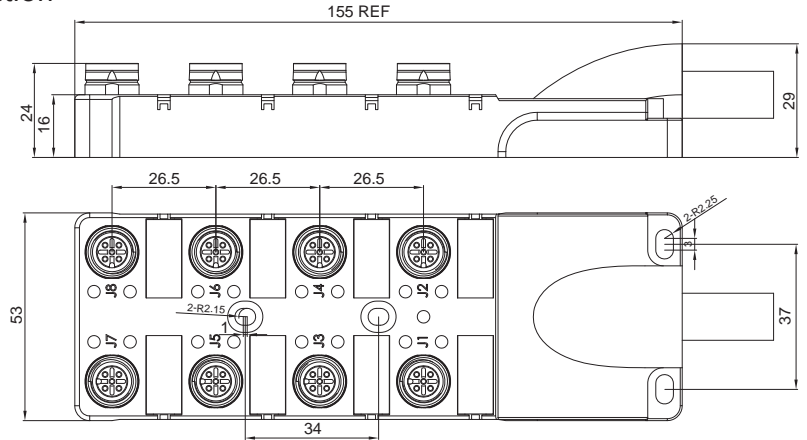
Key Commercial Data

- Packing unit: 1PCS/Box
- Small package (200×150×100) , Medium (330×250×150) , Large (400×300×230) mm

Type No.	ID No.	Specifications	Circuit
JB8DE5-GWSM19	14120025	M12 8 ports junction box 2 signal per port No LED M23 vertical connection Cable type No: GNF19-2/C00	
JB8DE5P-GWSM19	14120026	M12 8 ports junction box 2 signal per port PNP, LED M23 vertical connection Cable type No: GNF19-2/C00	
JB8DE5N-GWSM19	14120027	M12 8 ports junction box 2 signal per port NPN, LED M23 vertical connection Cable type No: GNF19-2/C00	

* M12 8 ports, 2 signal, M23 vertical connection *

M12 8 ports, double signal, cable connection



Technical data

- Housing material: PA66/Black
- Contact carrier: TPU/Black
- Coupling nut: Brass/Nickel
- Pin: Brass/Gold-plated
- O-ring: FPM/FKM
- Current intensity: 9A(total)/2A(port)
- LED current: 10mA
- Load voltage: 10~30VDC
- Insulation resistance: $\geq 100M\Omega$
- Forward resistance: $\leq 5m\Omega$
- Main socket: cable connection
- Insertion/withdrawal cycles: ≥ 100
- Ambient temperature: $-25\sim +85^{\circ}C$
- Degree of pollution: 3
- Degree of protection: IP67

Key Commercial Data

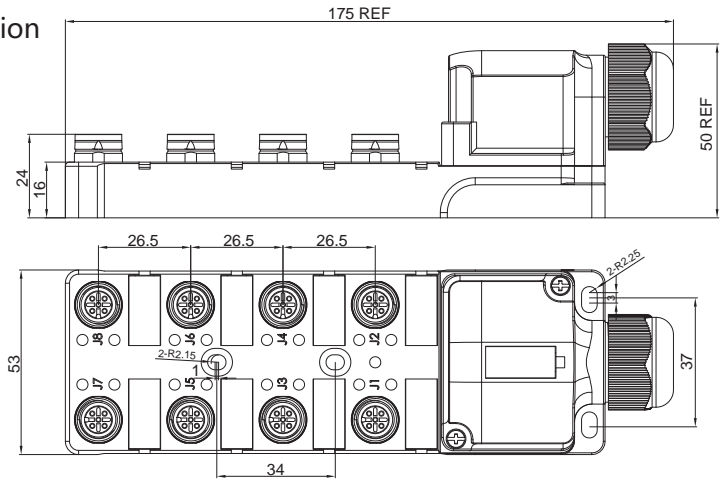
- Packing unit: 1PCS/Box
- Small package (200×150×100) , Medium (330×250×150) , Large (400×300×230) mm

Type No.	ID No.	Specifications	Circuit
JB8DE5-2/C00	14120028	M12 8 ports junction box 2 signal per port No LED Cable connection 3×0.75+16×0.34 (3×18+16×22AWG) Black PVC, OD=10 No.:19800244	
JB8DE5P-2/C00	14120029	M12 8 ports junction box 2 signal per port Cable connection 3×0.75+16×0.34 (3×18+16×22AWG) Black PVC, OD=10 No.:19800244	
JB8DE5N-2/C00	14120030	M12 8 ports junction box 2 signal per port NPN, LED Cable connection 3×0.75+16×0.34 (3×18+16×22AWG) Black PVC, OD=10 No.:19800244	

* M12 8 ports, double signal, cable connection *

M12 8 ports, double signal, terminal connection

M12 8 ports, double signal, terminal connection



Technical data

- Housing material: PA66/Black
- Contact carrier: TPU/Black
- Coupling nut: Brass/Nickel
- Pin: Brass/Gold-plated
- O-ring: FPM/FKM
- Current intensity: 9A(total)/2A(port)
- LED current: 10mA
- Load voltage: 10~30VDC
- Insulation resistance: $\geq 100M\Omega$
- Forward resistance: $\leq 5m\Omega$
- Main socket: terminal connection
- Insertion/withdrawal cycles: ≥ 100
- Ambient temperature: $-25\sim +85^{\circ}C$
- Degree of pollution: 3
- Degree of protection: IP67

Key Commercial Data

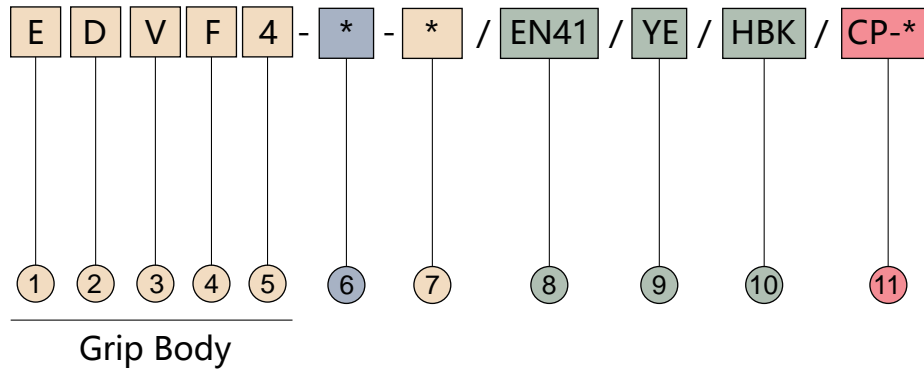
- Packing unit: 1PCS/Box
- Small package (200×150×100) , Medium (330×250×150) , Large (400×300×230) mm

Type No.	ID No.	Specifications	Circuit
JB8DE5-J	14120031	M12 8 ports junction box 2 signal per port No LED Terminal connection Cable type No: 3×0.75+16×0.34 (3×18+16×22AWG) Black PVC, OD=10 No.:19800244	
JB8DE5P-J	14120032	M12 8 ports junction box 2 signal per port Terminal connection Cable type No: 3×0.75+16×0.34 (3×18+16×22AWG) Black PVC, OD=10 No.:19800244	
JB8DE5N-J	14120033	M12 8 ports junction box 2 signal per port NPN, LED Terminal connection Cable type No: 3×0.75+16×0.34 (3×18+16×22AWG) Black PVC, OD=10 No.:19800244	

* M12 8 ports, double signal, terminal connection *

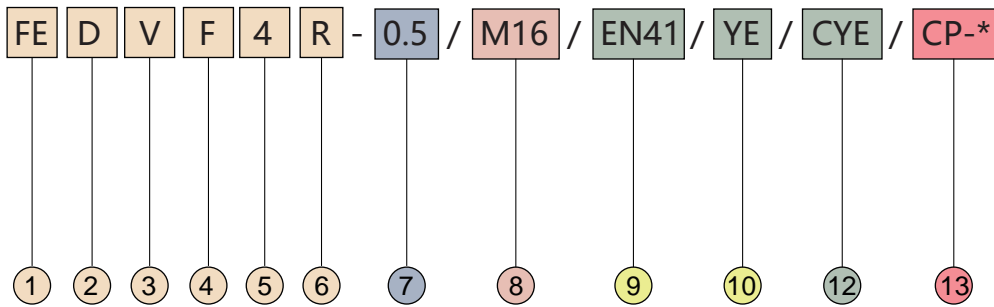
M8
M12
7/8"
M16
M23
M23 阀式连接器
Junction box
E-Net & P-Net
Profibus-DP
DeviceNet
CC-LINK

EtherNet/IP、ProfiNet、EtherCAT

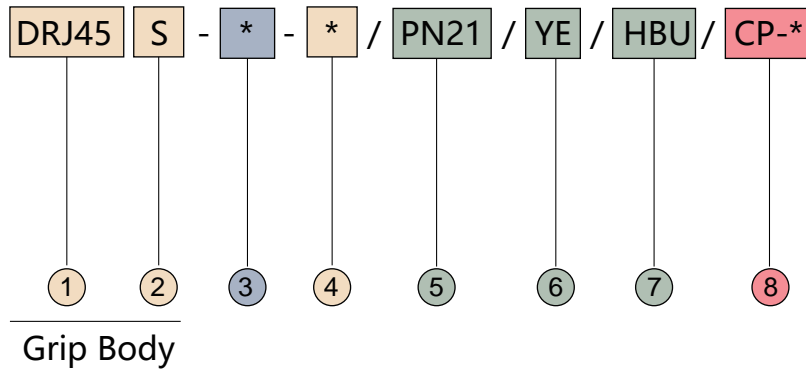


- ① E = M12, Straight
EW = M12, Right angle
- ② A-code
D-code
X-code
- ③ Blank = Zinc die-cast, nickel-plated
V = Stainless steel nut
- ④ M = Male
F = Female
- ⑤ Number of pins
Contact distribution
- ⑥ Length(M)
Can be customized
With 0.1M as increment
The shortest length is 0.2M
- ⑦ Blank = Single-ended
Double-ended = part number key refer to "Grip Body"
- ⑧ Reference cable code
- ⑨ Color of cable
Blank = Standard color
Customized cable color
YE = Yellow
GY = Gray
BU = Blue
RD = Red
- ⑩ Color of plug body
Blank = Standard color (Yellow)
Customized plug body color
HBK Black
HBU Blue
- ⑪ Customized products
* = Customized code

M8
M12
7/8"
M16
M23
E-Net & P-Net
Profibus-DP
DeviceNet
CC-LINK
分支器&分线盒
阀式连接器



- ① M12 Receptacle connector
- ② A-code
D-code
X-code
- ③ Blank = Zinc die-cast, nickel-plated
V = Stainless steel nut
- ④ M = Male
F = Female
- ⑤ Number of pins
Contact distribution
- ⑥ R = Rear mounting
F = Front mounting
A = Adjustable length and socket angle
M = Front mount, rotating coupling nut
- ⑦ Cable Length(M)
0.5 = Cable length 0.5M
Can be customized
L = Solder cup
C = Crimp connection
P = PCB pins one-piece
PS = PCB pins with shield contact one-piece
PW = PCB pins Angled wave soldering two-piece
PWS = PCB pins Angled shielded wave soldering two-piece
PT = PCB pins Straight wave soldering two-piece
PTS = PCB pins Straight shielded wave soldering two-piece
- ⑧ Mounting thread
Blank = PG9
M16 = M16×1.5
M20 = M20×1.5
PG13.5 = PG13.5
14.5NPT = 1/2-14NPT
14.5NPSM = 1/2-14NPSM
RS14 = Rectangular screw connection 14mm
- ⑨ Reference cable code
Blank = Non Pre-moulding receptable connector
- ⑩ Color of cable jacket
Blank = Standard color
Item 10 can only be defined when item 9 is selected
- ⑫ Color of contact carrier
Blank = Standard color (Black)
CYE = Yellow contact carrier
CGN = Green contact carrier
CVT = Violet contact carrier
- ⑬ Customized products
* = Customized code



- ① DRJ45 = Short type RJ45 plug
TRJ45 = RJ45, Buckle up
BRJ45 = RJ45, Buckle down
CRJ45 = RJ45, Screw cordset
- ② Blank = Unshielded RJ45
S = Shielded RJ45
- ③ Length(M)
Can be customized
With 0.1M as increment
The shortest length is 0.2M
- ④ Blank = Single-ended
Double-ended = part number key refer to "Grip Body"
- ⑤ Reference cable code
- ⑥ Color of cable
Blank = Standard color
Customized cable color
YE = Yellow
GY = Gray
- ⑦ Color of plug body
Blank = Standard color (Yellow)
Customized plug body color
HBK Black
HBU Blue
- ⑧ Customized products
* = Customized code

M8

M12

7/8"

M16

M23

阀式连接器

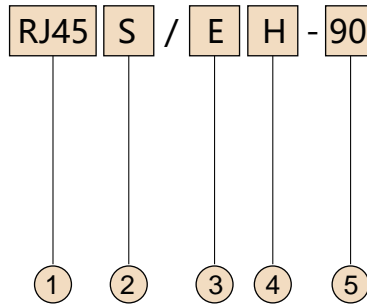
分支器&分线盒

E-Net & P-Net

Profibus-DP

DeviceNet

CC-LINK



① RJ45 = RJ45 plug

④ H = Pierced connection

② Blank = Unshielded
S = Shielded

⑤ Blank = 180 degree straight outlet
45 = 45 degree outlet
90 = 90 degree Right angle outlet

③ Blank = 4pin
E = 8Pin

EtherNet/IP



Technical data

Cable Type No.	Data parameter		Jacket		Shield	Application		Cable code
	Cable parameters	DC resistance per 1km/insulation	Material Colour	Outer Diameter		Sort	Installation method Operating temperature	
19810002	2×2×24 AWG	190 Ohm/km PE	PVC/Teal	5.6mm	Foil+ Braid	Cat.5e	Fixed application -40~80°C	EN41
19810003	2×2×26 AWG	100 Ohm/km PE	PUR/Teal	6.2mm	Foil+ Braid	Cat.5e	Drag chain≥5 million fixed: -30~80°C moved: -5~80°C	EN45
19810004	4×2×26 AWG	148 Ohm/km PE	PVC/Teal	6.2mm	Foil+ Braid	Cat.5e	Fixed application -40~80°C	EN51
19810005	4×2×26 AWG	290 Ohm/km PP	PUR/Teal	6.9mm	Foil+ Braid	Cat.5e	Drag chain≥5 million fixed: -40~80°C moved: -20~80°C	EN55
19810006	4×2×24 AWG	100 Ohm/km PE	PVC/ yellow-green	8.0mm	Foil+ Braid	Cat.6	Fixed application -40~80°C	EN61
19810027	4×2×26 AWG	148 Ohm/km PE	PUR/ yellow-green	6.4mm	Foil+ Braid	Cat.6A	Fixed application -40~80°C	EN62
19810065	4×2×24 AWG	190 Ohm/km PE	PVC/ yellow-green	8.0mm	Foil+ Braid	Cat.6	Drag chain≥1 million -40~80°C	EN65
19810007	4×2×26 AWG	149 Ohm/km PO	PUR/ yellow-green	7.2mm	Foil+ Braid	Cat.6	Drag chain≥10million anti-torsion±30°/meter fixed application: -50~80°C drag chain: -40~80°C	EN66

M8

M12

7/8"

M16

M23

阀式连接器

分支器&分线盒

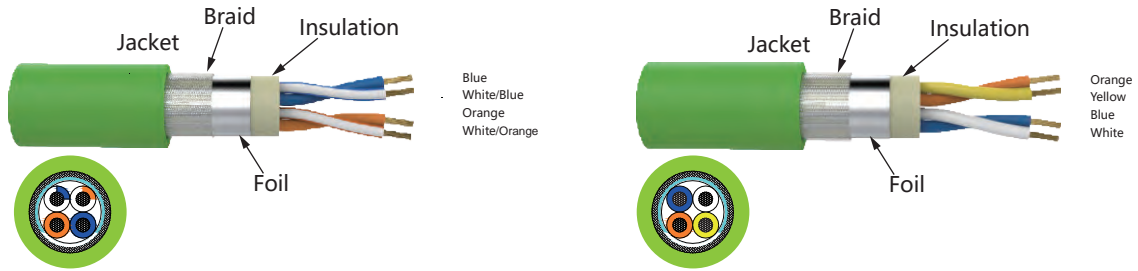
E-Net & P-Net

Profibus-DP

DeviceNet

CC-LINK

ProfiNet、EtherCAT



Technical data

Cable Type No.	Data parameter		Jacket		Shield	Application		Cable code
	Cable parameters	DC resistance per 1km/insulation	Material Colour	Outer Diameter		Sort	Installation method Operating temperature	
19810010	2×2×22 AWG	115 Ohm/km PE	PVC/ yellow-green	6.5mm	Foil+ Braid	Cat.5e	Fixed application -40~75°C	PN21
19810011	2×2×22 AWG	120 Ohm/km PE	PUR/ yellow-green	6.5mm	Foil+ Braid	Cat.5e	Drag chain≥3 million fixed application: -40~70°C drag chain: -20~60°C	PN23
19810013	2×2×26 AWG	140 Ohm/km PO	PUR/ yellow-green	4.8mm	Foil+ Braid	Cat.5e	Drag chain≥5 million -40~80°C	PN27

M8

M12

7/8"

M16

M23

分支器 & 分线盒 阀式连接器

E-Net & P-Net

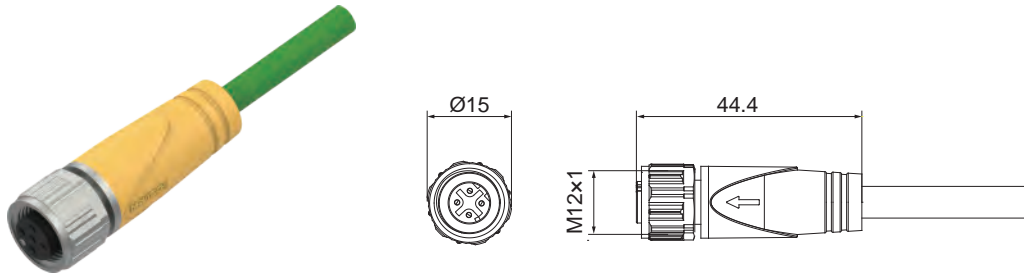
Profibus-DP

DeviceNet

CC-LINK

M12 D-code Ethernet pre-moulding connector 4pins

M12 D-code Female, Pre-moulding connector, Anti-vibration, Ethernet/IP



Technical data

- Plug body: TPU/Yellow
- Coupling nut: Zinc/Nickel-plated
- Contact carrier: TPU+GF/Black
- Pin: Brass/Gold-plated
- O-ring: FPM/FKM
- Insulation resistance: $\geq 100M\Omega$
- Forward resistance: $\leq 5m\Omega$
- Degree of pollution: 3
- Ambient temperature: $-25\sim +85^{\circ}C$
- Degree of protection: IP67
- Plug: M12x1
- Coding: D-CODE
- Insertion/withdrawal cycles: ≥ 100
- Standards: IEC 61076-2-101
- Torque: 0.4 Nm (M12 Plug connector)
- Cable: Refer to cable specification for detailed data

Key Commercial Data

- Weight: 4Pin/10g, 5Pin/10.3g (excluding cable)
- Packing unit: 2M/10PCS/Bag, 5M/5PCS/Bag, 10M/1PCS/Bag
Small package (200x150x100), Medium (330x250x150), Large (400x300x230) mm

Type No.	ID No.	Length	Angle	Coding	Current	Voltage	Wire gauge	Pinout	Wire colors
EDF4-2/EN41	10121248	2M	Straight	D-CODE	2A	60V	2x2x0.25 (2x2x24AWG) Teal PVC, shielded, OD=5.6 No.: 19810002		1 = WH/OR(+tx) 2 = WH/GN(+rx) 3 = OR(-tx) 4 = GN(-rx)
EDF4-5/EN41	10121249	5M							
EDF4-10/EN41	10121250	10M							
EDF4-2/EN45	10121251	2M	Straight	D-CODE	1.5A	60V	2x2x0.14 (2x2x26AWG) Teal PUR, shielded, drag chain, OD=6.2 No.: 19810003		1 = WH/OR(+tx) 2 = WH/GN(+rx) 3 = OR(-tx) 4 = GN(-rx)
EDF4-5/EN45	10121252	5M							
EDF4-10/EN45	10121253	10M							

* Standard cable lengths are 2/5/10M, Consult factory for other lengths *, EthetNet/IP, Cat5E

M8

M12

7/8"

M16

M23

分支器 & 分线盒

阀式连接器

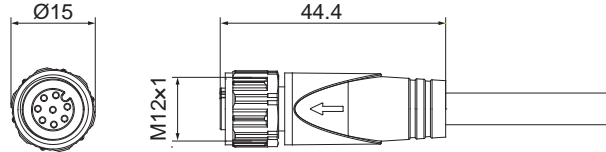
E-Net & P-Net

Profibus-DP

DeviceNet

CC-LINK

M12 A-code Female, Pre-moulding connector, Anti-vibration, Ethernet/IP



Technical data

- Plug body: TPU/Yellow
- Coupling nut: Zinc/Nickel-plated
- Contact carrier: TPU+GF/Black
- Pin: Brass/Gold-plated
- O-ring: FPM/FKM
- Insulation resistance: $\geq 100M\Omega$
- Forward resistance: $\leq 5m\Omega$
- Degree of pollution: 3
- Ambient temperature: $-25\sim +85^{\circ}C$
- Degree of protection: IP67
- Plug: M12x1
- Coding: A-CODE
- Insertion/withdrawal cycles: ≥ 100
- Standards: IEC 61076-2-101
- Torque: 0.4 Nm (M12 Plug connector)
- Cable: Refer to cable specification for detailed data

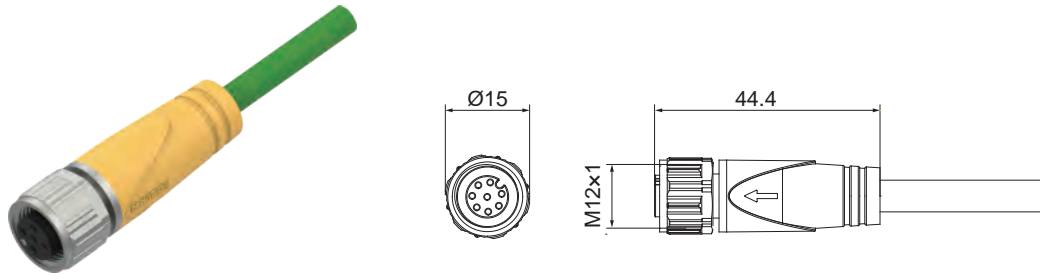
Key Commercial Data

- Packing unit: 2M/10PCS/Bag, 5M/5PCS/Bag, 10M/1PCS/Bag
- Small package (200x150x100), Medium (330x250x150), Large (400x300x230) mm

Type No.	ID No.	Length	Angle	Coding	Current	Voltage	Wire gauge	Pinout	Wire colors
EAF8-2/EN51	10121254	2M	Straight	A-CODE	1.5A	30V	4x2x0.14 (4x2x26AWG) Teal PVC, shielded, OD=6.2 No.: 19810004		1 = WH/BU 2 = WH/BN 3 = BN 4 = OR 5 = WH/GN 6 = WH/OR 7 = BU 8 = GN
EAF8-5/EN51	10121255	5M							
EAF8-10/EN51	10121256	10M							
EAF8-2/EN55	10121257	2M	Straight	A-CODE	1.5A	30V	4x2x0.14 (4x2x26AWG) Teal PVC, shielded, drag chain, OD=6.9 No.: 19810005		1 = WH/BU 2 = WH/BN 3 = BN 4 = OR 5 = WH/GN 6 = WH/OR 7 = BU 8 = GN
EAF8-5/EN55	10121258	5M							
EAF8-10/EN55	10121259	10M							

* Standard cable lengths are 2/5/10M, Consult factory for other lengths *, EthetNet/IP, Cat5E

M12 A-code Female, Pre-moulding connector, Anti-vibration, Ethernet/IP, Cat6



Technical data

- Plug body: TPU/Yellow
- Coupling nut: Zinc/Nickel-plated
- Contact carrier: TPU+GF/Black
- Pin: Brass/Gold-plated
- O-ring: FPM/FKM
- Insulation resistance: $\geq 100M\Omega$
- Forward resistance: $\leq 5m\Omega$
- Degree of pollution: 3
- Ambient temperature: $-25\sim+85^{\circ}C$
- Degree of protection: IP67
- Plug: M12x1
- Coding: A-CODE
- Insertion/withdrawal cycles: ≥ 100
- Standards: IEC 61076-2-101
- Torque: 0.4 Nm (M12 Plug connector)
- Cable: Refer to cable specification for detailed data

Key Commercial Data

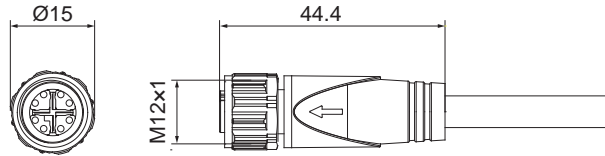
- Packing unit: 2M/10PCS/Bag, 5M/5PCS/Bag, 10M/1PCS/Bag
- Small package (200×150×100), Medium (330×250×150), Large (400×300×230) mm

Type No.	ID No.	Length	Angle	Coding	Current	Voltage	Wire gauge	Pinout	Wire colors
EAF8-2/EN61	10121260	2M	Straight	A-CODE	2A	30V	4×2×0.25 (4×2×24AWG) Teal PVC, shielded, OD=8.0 No.: 19810006		1 = WH/BU 2 = WH/BN 3 = BN 4 = OR 5 = WH/GN 6 = WH/OR 7 = BU 8 = GN
EAF8-5/EN61	10121261	5M							
EAF8-10/EN61	10121262	10M							
EAF8-2/EN65	10121263	2M	Straight	A-CODE	2A	30V	4×2×0.25 (4×2×24AWG) Teal PVC, shielded, drag chain, OD=8.0 No.: 19810065		1 = WH/BU 2 = WH/BN 3 = BN 4 = OR 5 = WH/GN 6 = WH/OR 7 = BU 8 = GN
EAF8-5/EN65	10121264	5M							
EAF8-10/EN65	10121265	10M							

* Standard cable lengths are 2/5/10M, Consult factory for other lengths *, EthetNet/IP, Cat6

M8 M12 7/8" M16 M23 E-Net & P-Net 分支器&分线盒 阀式连接器 Profibus-DP DeviceNet CC-LINK

M12 X-code Female, Pre-moulding connector, Anti-vibration, Ethernet/IP, Cat6



Technical data

- Plug body: TPU/Yellow
- Coupling nut: Zinc/Nickel-plated
- Contact carrier: TPU+GF/Black
- Pin: Brass/Gold-plated
- O-ring: FPM/FKM
- Insulation resistance: $\geq 100M\Omega$
- Forward resistance: $\leq 5m\Omega$
- Degree of pollution: 3
- Ambient temperature: $-25\sim +85^{\circ}C$
- Degree of protection: IP67
- Plug: M12x1
- Coding: X-CODE
- Insertion/withdrawal cycles: ≥ 100
- Standards: IEC 61076-2-101
- Torque: 0.4 Nm (M12 Plug connector)
- Cable: Refer to cable specification for detailed data

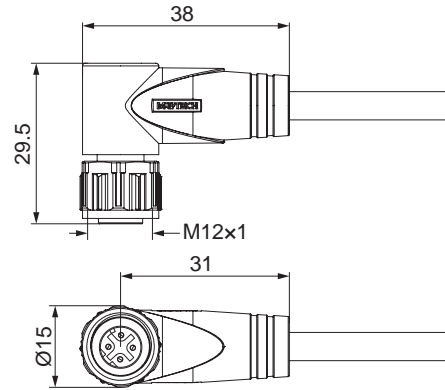
Key Commercial Data

- Packing unit: 2M/10PCS/Bag, 5M/5PCS/Bag, 10M/1PCS/Bag
- Small package (200x150x100), Medium (330x250x150), Large (400x300x230) mm

Type No.	ID No.	Length	Angle	Coding	Current	Voltage	Wire gauge	Pinout	Wire colors
EXF8-2/EN61	10121266	2M	Straight	X-CODE	0.5A	50V	4x2x0.25 (4x2x24AWG) Teal PVC, shielded, OD=8.0 No.: 19810006		1 = WH/OR 2 = OR 3 = WH/GN 4 = GN 5 = WH/BN 6 = BN 7 = WH/BU 8 = BU
EXF8-5/EN61	10121267	5M							
EXF8-10/EN61	10121268	10M							
EXF8-2/EN65	10121269	2M	Straight	X-CODE	0.5A	50V	4x2x0.25 (4x2x24AWG) Teal PVC, shielded, drag chain, OD=8.0 No.: 19810065		1 = WH/OR 2 = OR 3 = WH/GN 4 = GN 5 = WH/BN 6 = BN 7 = WH/BU 8 = BU
EXF8-5/EN65	10121270	5M							
EXF8-10/EN65	10121271	10M							

* Standard cable lengths are 2/5/10M, Consult factory for other lengths *, EthetNet/IP, Cat6

M12 D-code Right angle Female, Pre-moulding connector, Anti-vibration, Ethernet/IP



Technical data

- Plug body: TPU/Yellow
- Coupling nut: Zinc/Nickel-plated
- Contact carrier: TPU+GF/Black
- Pin: Brass/Gold-plated
- O-ring: FPM/FKM
- Insulation resistance: $\geq 100M\Omega$
- Forward resistance: $\leq 5m\Omega$
- Degree of pollution: 3
- Ambient temperature: $-25\sim +85^{\circ}C$
- Degree of protection: IP67
- Plug: M12x1
- Coding: D-CODE
- Insertion/withdrawal cycles: ≥ 100
- Standards: IEC 61076-2-101
- Torque: 0.4 Nm (M12 Plug connector)
- Cable: Refer to cable specification for detailed data

Key Commercial Data

- Weight: 4Pin/10g, 5Pin/10.3g (excluding cable)
- Packing unit: 2M/10PCS/Bag, 5M/5PCS/Bag, 10M/1PCS/Bag
- Small package (200x150x100), Medium (330x250x150), Large (400x300x230) mm

Type No.	ID No.	Length	Angle	Coding	Current	Voltage	Wire gauge	Pinout	Wire colors
EWDF4-2/EN41	10121272	2M	Right angle	D-CODE	2A	60V	2x2x0.25 (2x2x24AWG) Teal PVC, shielded, OD=5.6 No.: 19810002		1 = WH/OR(+tx) 2 = WH/GN(+rx) 3 = OR(-tx) 4 = GN(-rx)
EWDF4-5/EN41	10121273	5M							
EWDF4-10/EN41	10121274	10M							
EWDF4-2/EN45	10121275	2M	Right angle	D-CODE	2A	60V	2x2x0.14 (2x2x26AWG) Teal PUR, shielded, drag chain, OD=6.2 No.: 19810003		1 = WH/OR(+tx) 2 = WH/GN(+rx) 3 = OR(-tx) 4 = GN(-rx)
EWDF4-5/EN45	10121276	5M							
EWDF4-10/EN45	10121277	10M							

* Standard cable lengths are 2/5/10M, Consult factory for other lengths *, EthetNet/IP, Cat5E

M8

M12

7/8"

M16

M23

E-Net & P-Net 分支器&分线盒 阀式连接器

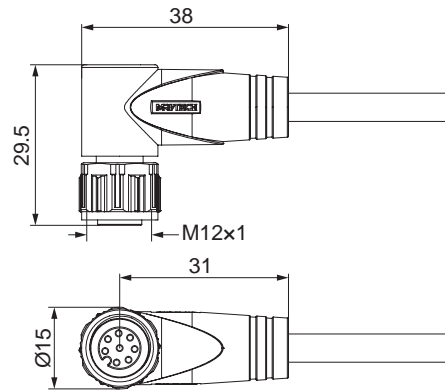
E-Net & P-Net

Profibus-DP

DeviceNet

CC-LINK

M12 A-code Right angle Female, Pre-moulding connector, Anti-vibration, Ethernet/IP



Technical data

- Plug body: TPU/Yellow
- Coupling nut: Zinc/Nickel-plated
- Contact carrier: TPU+GF/Black
- Pin: Brass/Gold-plated
- O-ring: FPM/FKM
- Insulation resistance: $\geq 100M\Omega$
- Forward resistance: $\leq 5m\Omega$
- Degree of pollution: 3
- Ambient temperature: $-25\sim +85^{\circ}C$
- Degree of protection: IP67
- Plug: M12x1
- Coding: A-CODE
- Insertion/withdrawal cycles: ≥ 100
- Standards: IEC 61076-2-101
- Torque: 0.4 Nm (M12 Plug connector)
- Cable: Refer to cable specification for detailed data

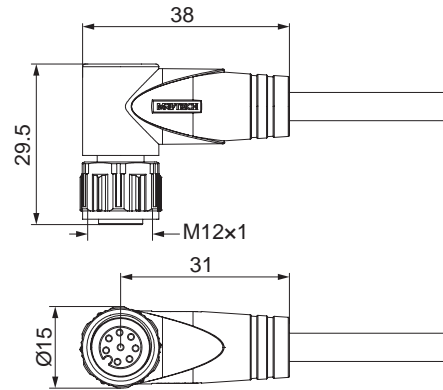
Key Commercial Data

- Packing unit: 2M/10PCS/Bag, 5M/5PCS/Bag, 10M/1PCS/Bag
- Small package (200x150x100), Medium (330x250x150), Large (400x300x230) mm

Type No.	ID No.	Length	Angle	Coding	Current	Voltage	Wire gauge	Pinout	Wire colors
EWAF8-2/EN51	10121278	2M	Right angle	A-CODE	1.5A	30V	4x2x0.14 (4x2x26AWG) Teal PVC, shielded, OD=6.2 No.: 19810004		1 = WH/BU
EWAF8-5/EN51	10121279	5M							2 = WH/BN
EWAF8-10/EN51	10121280	10M							3 = BN
EWAF8-2/EN55	10121281	2M	Right angle	A-CODE	1.5A	30V	4x2x0.14 (4x2x26AWG) Teal PVC, shielded, drag chain, OD=6.9 No.: 19810005		4 = OR
EWAF8-5/EN55	10121282	5M							5 = WH/GN
EWAF8-10/EN55	10121283	10M							6 = WH/OR
									7 = BU
									8 = GN

* Standard cable lengths are 2/5/10M, Consult factory for other lengths *, EthetNet/IP, Cat5E

M12 A-code Right angle Female, Pre-moulding connector, Anti-vibration, Ethernet/IP, Cat6



Technical data

- Plug body: TPU/Yellow
- Coupling nut: Zinc/Nickel-plated
- Contact carrier: TPU+GF/Black
- Pin: Brass/Gold-plated
- O-ring: FPM/FKM
- Insulation resistance: $\geq 100M\Omega$
- Forward resistance: $\leq 5m\Omega$
- Degree of pollution: 3
- Ambient temperature: $-25\sim +85^{\circ}C$
- Degree of protection: IP67
- Plug: M12x1
- Coding: A-CODE
- Insertion/withdrawal cycles: ≥ 100
- Standards: IEC 61076-2-101
- Torque: 0.4 Nm (M12 Plug connector)
- Cable: Refer to cable specification for detailed data

Key Commercial Data

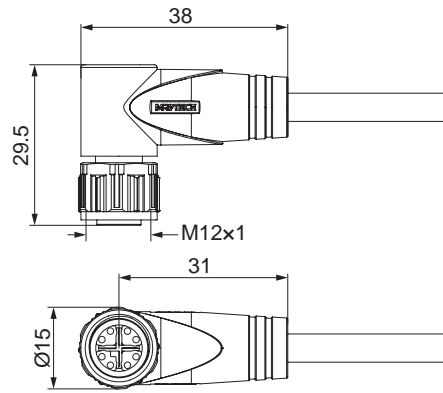
- Packing unit: 2M/10PCS/Bag, 5M/5PCS/Bag, 10M/1PCS/Bag
- Small package (200x150x100), Medium (330x250x150), Large (400x300x230) mm

Type No.	ID No.	Length	Angle	Coding	Current	Voltage	Wire gauge	Pinout	Wire colors
EWAF8-2/EN61	10121284	2M	Right angle	A-CODE	2A	30V	4x2x0.25 (4x2x24AWG) Teal PVC, shielded, OD=8.0 No.: 19810006		1 = WH/BU 2 = WH/BN 3 = BN 4 = OR 5 = WH/GN 6 = WH/OR 7 = BU 8 = GN
EWAF8-5/EN61	10121285	5M							
EWAF8-10/EN61	10121286	10M							
EWAF8-2/EN65	10121287	2M	Right angle	A-CODE	2A	30V	4x2x0.25 (4x2x24AWG) Teal PVC, shielded, drag chain, OD=8.0 No.: 19810065		1 = WH/BU 2 = WH/BN 3 = BN 4 = OR 5 = WH/GN 6 = WH/OR 7 = BU 8 = GN
EWAF8-5/EN65	10121288	5M							
EWAF8-10/EN65	10121289	10M							

* Standard cable lengths are 2/5/10M, Consult factory for other lengths *, EthetNet/IP, Cat6

M8
M12
7/8"
M16
M23
E-Net & P-Net 分支器 & 分线盒 阀式连接器
Profibus-DP
DeviceNet
CC-LINK

M12 X-code Right angle Female, Pre-moulding connector, Anti-vibration, Ethernet/IP, Cat6



Technical data

- Plug body: TPU/Yellow
- Coupling nut: Zinc/Nickel-plated
- Contact carrier: TPU+GF/Black
- Pin: Brass/Gold-plated
- O-ring: FPM/FKM
- Insulation resistance: $\geq 100M\Omega$
- Forward resistance: $\leq 5m\Omega$
- Degree of pollution: 3
- Ambient temperature: $-25\sim +85^{\circ}C$
- Degree of protection: IP67
- Plug: M12x1
- Coding: X-CODE
- Insertion/withdrawal cycles: ≥ 100
- Standards: IEC 61076-2-101
- Torque: 0.4 Nm (M12 Plug connector)
- Cable: Refer to cable specification for detailed data

Key Commercial Data

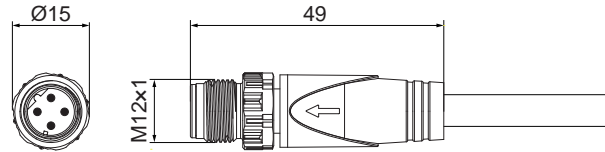
- Packing unit: 2M/10PCS/Bag, 5M/5PCS/Bag, 10M/1PCS/Bag
- Small package (200x150x100), Medium (330x250x150), Large (400x300x230) mm

Type No.	ID No.	Length	Angle	Coding	Current	Voltage	Wire gauge	Pinout	Wire colors
EWXF8-2/EN61	10121290	2M	Right angle	X-CODE	0.5A	50V	4x2x0.25 (4x2x24AWG) Teal PVC, shielded, OD=8.0 No.: 19810006		1 = WH/OR 2 = OR 3 = WH/GN 4 = GN 5 = WH/BN 6 = BN 7 = WH/BU 8 = BU
EWXF8-5/EN61	10121291	5M							
EWXF8-10/EN61	10121292	10M							
EWXF8-2/EN65	10121293	2M	Right angle	X-CODE	0.5A	50V	4x2x0.25 (4x2x24AWG) Teal PVC, shielded, drag chain, OD=8.0 No.: 19810065		1 = WH/OR 2 = OR 3 = WH/GN 4 = GN 5 = WH/BN 6 = BN 7 = WH/BU 8 = BU
EWXF8-5/EN65	10121294	5M							
EWXF8-10/EN65	10121295	10M							

* Standard cable lengths are 2/5/10M, Consult factory for other lengths *, EthetNet/IP, Cat6

M12 D-code Ethernet pre-moulding connector 4pins

M12 D-code Male, Pre-moulding connector, Anti-vibration, Ethernet/IP



Technical data

- Plug body: TPU/Yellow
- Coupling nut: Zinc/Nickel-plated
- Contact carrier: TPU+GF/Black
- Pin: Brass/Gold-plated
- O-ring: FPM/FKM
- Insulation resistance: $\geq 100M\Omega$
- Forward resistance: $\leq 5m\Omega$
- Degree of pollution: 3
- Ambient temperature: $-25\sim +85^{\circ}C$
- Degree of protection: IP67
- Plug: M12×1
- Coding: D-CODE
- Insertion/withdrawal cycles: ≥ 100
- Standards: IEC 61076-2-101
- Torque: 0.4 Nm (M12 Plug connector)
- Cable: Refer to cable specification for detailed data

Key Commercial Data

- Weight: 4Pin/10g, 5Pin/10.3g (excluding cable)
- Packing unit: 2M/10PCS/Bag, 5M/5PCS/Bag, 10M/1PCS/Bag
Small package (200×150×100), Medium (330×250×150), Large (400×300×230) mm

Type No.	ID No.	Length	Angle	Coding	Current	Voltage	Wire gauge	Pinout	Wire colors
EDM4-2/EN41	10121296	2M	Straight	D-CODE	2A	60V	2×2×0.25 (2×2×24AWG) Teal PVC, shielded, OD=5.6 No.: 19810002		1 = WH/OR(+tx) 2 = WH/GN(+rx) 3 = OR(-tx) 4 = GN(-rx)
EDM4-5/EN41	10121297	5M							
EDM4-10/EN41	10121298	10M							
EDM4-2/EN45	10121299	2M	Straight	D-CODE	1.5A	60V	2×2×0.14 (2×2×26AWG) Teal PUR, shielded, drag chain, OD=6.2 No.: 19810003		1 = WH/OR(+tx) 2 = WH/GN(+rx) 3 = OR(-tx) 4 = GN(-rx)
EDM4-5/EN45	10121300	5M							
EDM4-10/EN45	10121301	10M							

* Standard cable lengths are 2/5/10M, Consult factory for other lengths *, EthetNet/IP, Cat5E

M8

M12

7/8"

M16

M23

分支器 & 分线盒

阀式连接器

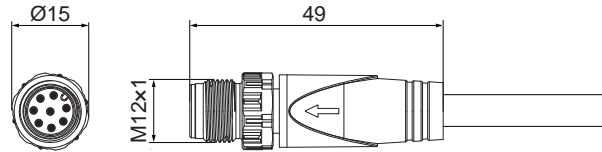
E-Net & P-Net

Profibus-DP

DeviceNet

CC-LINK

M12 A-code Male, Pre-moulding connector, Anti-vibration, Ethernet/IP



Technical data

- Plug body: TPU/Yellow
- Coupling nut: Zinc/Nickel-plated
- Contact carrier: TPU+GF/Black
- Pin: Brass/Gold-plated
- O-ring: FPM/FKM
- Insulation resistance: $\geq 100M\Omega$
- Forward resistance: $\leq 5m\Omega$
- Degree of pollution: 3
- Ambient temperature: $-25\sim +85^{\circ}C$
- Degree of protection: IP67
- Plug: M12x1
- Coding: A-CODE
- Insertion/withdrawal cycles: ≥ 100
- Standards: IEC 61076-2-101
- Torque: 0.4 Nm (M12 Plug connector)
- Cable: Refer to cable specification for detailed data

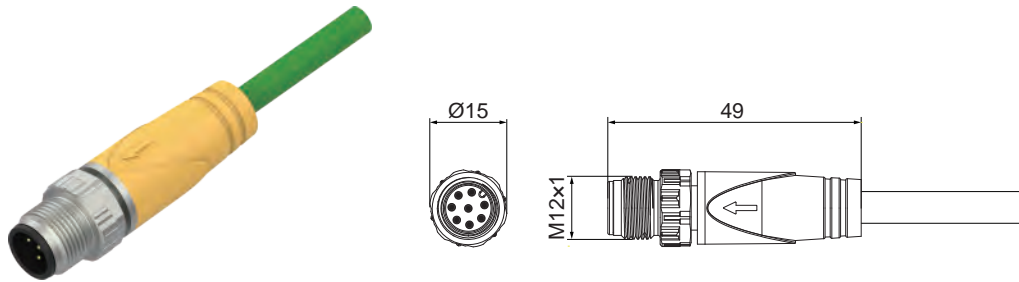
Key Commercial Data

- Packing unit: 2M/10PCS/Bag, 5M/5PCS/Bag, 10M/1PCS/Bag
- Small package (200x150x100), Medium (330x250x150), Large (400x300x230) mm

Type No.	ID No.	Length	Angle	Coding	Current	Voltage	Wire gauge	Pinout	Wire colors
EAM8-2/EN51	10121302	2M	Straight	A-CODE	1.5A	30V	4x2x0.14 (4x2x26AWG) Teal PVC, shielded, OD=6.2 No.: 19810004		1 = WH/BU 2 = WH/BN 3 = BN 4 = OR 5 = WH/GN 6 = WH/OR 7 = BU 8 = GN
EAM8-5/EN51	10121303	5M							
EAM8-10/EN51	10121304	10M							
EAM8-2/EN55	10121305	2M	Straight	A-CODE	1.5A	30V	4x2x0.14 (4x2x26AWG) Teal PVC, shielded, drag chain, OD=6.9 No.: 19810005		1 = WH/BU 2 = WH/BN 3 = BN 4 = OR 5 = WH/GN 6 = WH/OR 7 = BU 8 = GN
EAM8-5/EN55	10121306	5M							
EAM8-10/EN55	10121307	10M							

* Standard cable lengths are 2/5/10M, Consult factory for other lengths *, EthetNet/IP, Cat5E

M12 A-code Male, Pre-moulding connector, Anti-vibration, Ethernet/IP, Cat6



Technical data

- Plug body: TPU/Yellow
- Coupling nut: Zinc/Nickel-plated
- Contact carrier: TPU+GF/Black
- Pin: Brass/Gold-plated
- O-ring: FPM/FKM
- Insulation resistance: $\geq 100M\Omega$
- Forward resistance: $\leq 5m\Omega$
- Degree of pollution: 3
- Ambient temperature: $-25\sim +85^{\circ}C$
- Degree of protection: IP67
- Plug: M12x1
- Coding: A-CODE
- Insertion/withdrawal cycles: ≥ 100
- Standards: IEC 61076-2-101
- Torque: 0.4 Nm (M12 Plug connector)
- Cable: Refer to cable specification for detailed data

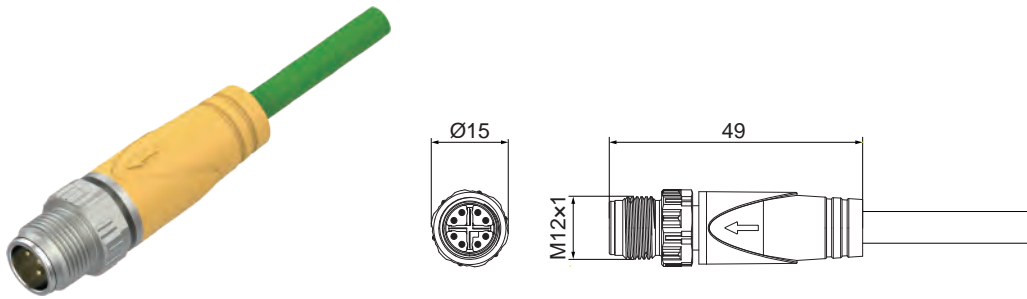
Key Commercial Data

- Packing unit: 2M/10PCS/Bag, 5M/5PCS/Bag, 10M/1PCS/Bag
- Small package (200x150x100), Medium (330x250x150), Large (400x300x230) mm

Type No.	ID No.	Length	Angle	Coding	Current	Voltage	Wire gauge	Pinout	Wire colors
EAM8-2/EN61	10121308	2M	Straight	A-CODE	2A	30V	4x2x0.25 (4x2x24AWG) Teal PVC, shielded, OD=8.0 No.: 19810006		1 = WH/BU 2 = WH/BN 3 = BN 4 = OR 5 = WH/GN 6 = WH/OR 7 = BU 8 = GN
EAM8-5/EN61	10121309	5M							
EAM8-10/EN61	10121310	10M							
EAM8-2/EN65	10121311	2M	Straight	A-CODE	2A	30V	4x2x0.25 (4x2x24AWG) Teal PVC, shielded, drag chain, OD=8.0 No.: 19810065		1 = WH/BU 2 = WH/BN 3 = BN 4 = OR 5 = WH/GN 6 = WH/OR 7 = BU 8 = GN
EAM8-5/EN65	10121312	5M							
EAM8-10/EN65	10121313	10M							

* Standard cable lengths are 2/5/10M, Consult factory for other lengths *, EthetNet/IP, Cat6

M12 X-code Male, Pre-moulding connector, Anti-vibration, Ethernet/IP, Cat6



Technical data

- Plug body: TPU/Yellow
- Coupling nut: Zinc/Nickel-plated
- Contact carrier: TPU+GF/Black
- Pin: Brass/Gold-plated
- O-ring: FPM/FKM
- Insulation resistance: $\geq 100M\Omega$
- Forward resistance: $\leq 5m\Omega$
- Degree of pollution: 3
- Ambient temperature: $-25\sim +85^{\circ}C$
- Degree of protection: IP67
- Plug: M12x1
- Coding: X-CODE
- Insertion/withdrawal cycles: ≥ 100
- Standards: IEC 61076-2-101
- Torque: 0.4 Nm (M12 Plug connector)
- Cable: Refer to cable specification for detailed data

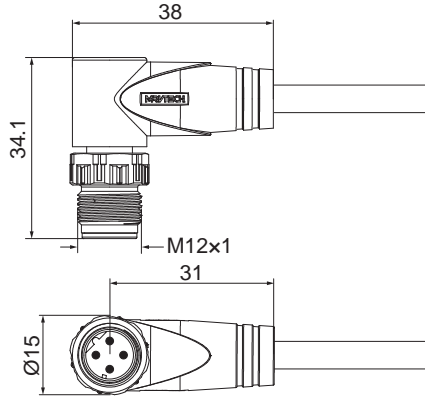
Key Commercial Data

- Packing unit: 2M/10PCS/Bag, 5M/5PCS/Bag, 10M/1PCS/Bag
- Small package (200x150x100), Medium (330x250x150), Large (400x300x230) mm

Type No.	ID No.	Length	Angle	Coding	Current	Voltage	Wire gauge	Pinout	Wire colors
EXM8-2/EN61	10121314	2M	Straight	X-CODE	0.5A	30V	4x2x0.25 (4x2x24AWG) Teal PVC, shielded, OD=8.0 No.: 19810006		1 = WH/OR 2 = OR 3 = WH/GN 4 = GN 5 = WH/BN 6 = BN 7 = WH/BU 8 = BU
EXM8-5/EN61	10121315	5M							
EXM8-10/EN61	10121316	10M							
EXM8-2/EN65	10121317	2M	Straight	X-CODE	0.5A	30V	4x2x0.25 (4x2x24AWG) Teal PVC, shielded, drag chain, OD=8.0 No.: 19810065		1 = WH/OR 2 = OR 3 = WH/GN 4 = GN 5 = WH/BN 6 = BN 7 = WH/BU 8 = BU
EXM8-5/EN65	10121318	5M							
EXM8-10/EN65	10121319	10M							

* Standard cable lengths are 2/5/10M, Consult factory for other lengths *, EthetNet/IP, Cat6

M12 D-code Right angle Male, Pre-moulding connector, Anti-vibration, Ethernet/IP



Technical data

- Plug body: TPU/Yellow
- Coupling nut: Zinc/Nickel-plated
- Contact carrier: TPU+GF/Black
- Pin: Brass/Gold-plated
- O-ring: FPM/FKM
- Insulation resistance: $\geq 100M\Omega$
- Forward resistance: $\leq 5m\Omega$
- Degree of pollution: 3
- Ambient temperature: $-25\sim +85^{\circ}C$
- Degree of protection: IP67
- Plug: M12x1
- Coding: D-CODE
- Insertion/withdrawal cycles: ≥ 100
- Standards: IEC 61076-2-101
- Torque: 0.4 Nm (M12 Plug connector)
- Cable: Refer to cable specification for detailed data

Key Commercial Data

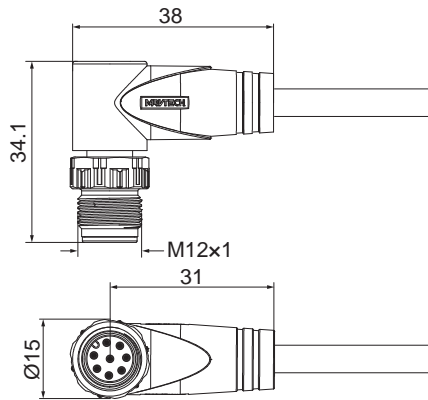
- Weight: 4Pin/10g, 5Pin/10.3g (excluding cable)
- Packing unit: 2M/10PCS/Bag, 5M/5PCS/Bag, 10M/1PCS/Bag
- Small package (200x150x100), Medium (330x250x150), Large (400x300x230) mm

Type No.	ID No.	Length	Angle	Coding	Current	Voltage	Wire gauge	Pinout	Wire colors
EWDM4-2/EN41	10121320	2M	Right angle	D-CODE	2A	60V	2x2x0.25 (2x2x24AWG) Teal PVC, shielded, OD=5.6 No.: 19810002		1 = WH/OR(+tx) 2 = WH/GN(+rx) 3 = OR(-tx) 4 = GN(-rx)
EWDM4-5/EN41	10121321	5M							
EWDM4-10/EN41	10121322	10M							
EWDM4-2/EN45	10121323	2M	Right angle	D-CODE	2A	60V	2x2x0.14 (2x2x26AWG) Teal PUR, shielded, drag chain, OD=6.2 No.: 19810003		1 = WH/OR(+tx) 2 = WH/GN(+rx) 3 = OR(-tx) 4 = GN(-rx)
EWDM4-5/EN45	10121324	5M							
EWDM4-10/EN45	10121325	10M							

* Standard cable lengths are 2/5/10M, Consult factory for other lengths *, EthetNet/IP, Cat5E

M8, M12, 7/8", M16, M23, E-Net & P-Net, Profibus-DP, DeviceNet, CC-LINK, 分支器&分线盒, 电磁阀

M12 A-code Right angle Male, Pre-moulding connector, Anti-vibration, Ethernet/IP



Technical data

- Plug body: TPU/Yellow
- Coupling nut: Zinc/Nickel-plated
- Contact carrier: TPU+GF/Black
- Pin: Brass/Gold-plated
- O-ring: FPM/FKM
- Insulation resistance: $\geq 100M\Omega$
- Forward resistance: $\leq 5m\Omega$
- Degree of pollution: 3
- Ambient temperature: $-25\sim +85^{\circ}C$
- Degree of protection: IP67
- Plug: M12x1
- Coding: A-CODE
- Insertion/withdrawal cycles: ≥ 100
- Standards: IEC 61076-2-101
- Torque: 0.4 Nm (M12 Plug connector)
- Cable: Refer to cable specification for detailed data

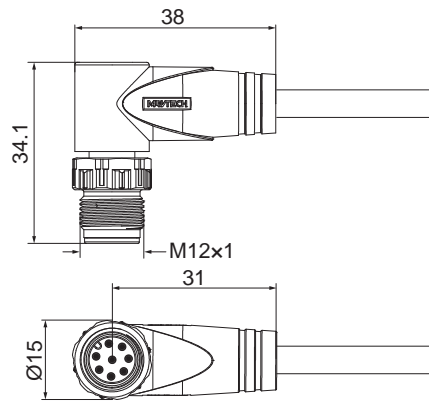
Key Commercial Data

- Packing unit: 2M/10PCS/Bag, 5M/5PCS/Bag, 10M/1PCS/Bag
- Small package (200x150x100), Medium (330x250x150), Large (400x300x230) mm

Type No.	ID No.	Length	Angle	Coding	Current	Voltage	Wire gauge	Pinout	Wire colors
EWAM8-2/EN51	10121326	2M	Right angle	A-CODE	1.5A	30V	4x2x0.14 (4x2x26AWG) Teal PVC, shielded, OD=6.2 No.: 19810004		1 = WH/BU 2 = WH/BN 3 = BN 4 = OR 5 = WH/GN 6 = WH/OR 7 = BU 8 = GN
EWAM8-5/EN51	10121327	5M							
EWAM8-10/EN51	10121328	10M							
EWAM8-2/EN55	10121329	2M	Right angle	A-CODE	1.5A	30V	4x2x0.14 (4x2x26AWG) Teal PVC, shielded, drag chain, OD=6.9 No.: 19810005		1 = WH/BU 2 = WH/BN 3 = BN 4 = OR 5 = WH/GN 6 = WH/OR 7 = BU 8 = GN
EWAM8-5/EN55	10121330	5M							
EWAM8-10/EN55	10121331	10M							

* Standard cable lengths are 2/5/10M, Consult factory for other lengths *, EthetNet/IP, Cat5E

M12 A-code Right angle Male, Pre-moulding connector, Anti-vibration, Ethernet/IP, Cat6



Technical data

- Plug body: TPU/Yellow
- Coupling nut: Zinc/Nickel-plated
- Contact carrier: TPU+GF/Black
- Pin: Brass/Gold-plated
- O-ring: FPM/FKM
- Insulation resistance: $\geq 100M\Omega$
- Forward resistance: $\leq 5m\Omega$
- Degree of pollution: 3
- Ambient temperature: $-25\sim +85^{\circ}C$
- Degree of protection: IP67
- Plug: M12x1
- Coding: A-CODE
- Insertion/withdrawal cycles: ≥ 100
- Standards: IEC 61076-2-101
- Torque: 0.4 Nm (M12 Plug connector)
- Cable: Refer to cable specification for detailed data

Key Commercial Data

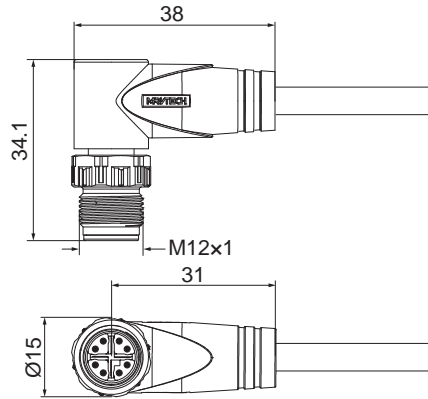
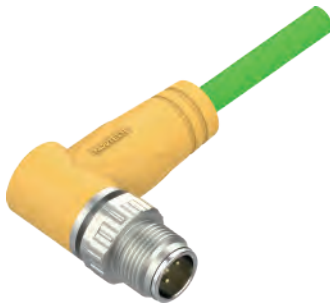
- Packing unit: 2M/10PCS/Bag, 5M/5PCS/Bag, 10M/1PCS/Bag
- Small package (200x150x100), Medium (330x250x150), Large (400x300x230) mm

Type No.	ID No.	Length	Angle	Coding	Current	Voltage	Wire gauge	Pinout	Wire colors
EWAM8-2/EN61	10121332	2M	Right angle	A-CODE	1.5A	30V	4x2x0.25 (4x2x24AWG) Teal PVC, shielded, OD=8.0 No.: 19810006		1 = WH/BU 2 = WH/BN 3 = BN 4 = OR 5 = WH/GN 6 = WH/OR 7 = BU 8 = GN
EWAM8-5/EN61	10121332	5M							
EWAM8-10/EN61	10121332	10M							
EWAM8-2/EN65	10121332	2M	Right angle	A-CODE	1.5A	30V	4x2x0.25 (4x2x24AWG) Teal PVC, shielded, drag chain, OD=8.0 No.: 19810065		1 = WH/BU 2 = WH/BN 3 = BN 4 = OR 5 = WH/GN 6 = WH/OR 7 = BU 8 = GN
EWAM8-5/EN65	10121332	5M							
EWAM8-10/EN65	10121332	10M							

* Standard cable lengths are 2/5/10M, Consult factory for other lengths *, EthetNet/IP, Cat6

M8 M12 7/8" M16 M23 E-Net & P-Net 分支器&分线盒 阀式连接器 Profibus-DP DeviceNet CC-LINK

M12 X-code Right angle Male, Pre-moulding connector, Anti-vibration, Ethernet/IP, Cat6



Technical data

- Plug body: TPU/Yellow
- Coupling nut: Zinc/Nickel-plated
- Contact carrier: TPU+GF/Black
- Pin: Brass/Gold-plated
- O-ring: FPM/FKM
- Insulation resistance: $\geq 100M\Omega$
- Forward resistance: $\leq 5m\Omega$
- Degree of pollution: 3
- Ambient temperature: $-25\sim +85^{\circ}C$
- Degree of protection: IP67
- Plug: M12x1
- Coding: X-CODE
- Insertion/withdrawal cycles: ≥ 100
- Standards: IEC 61076-2-101
- Torque: 0.4 Nm (M12 Plug connector)
- Cable: Refer to cable specification for detailed data

Key Commercial Data

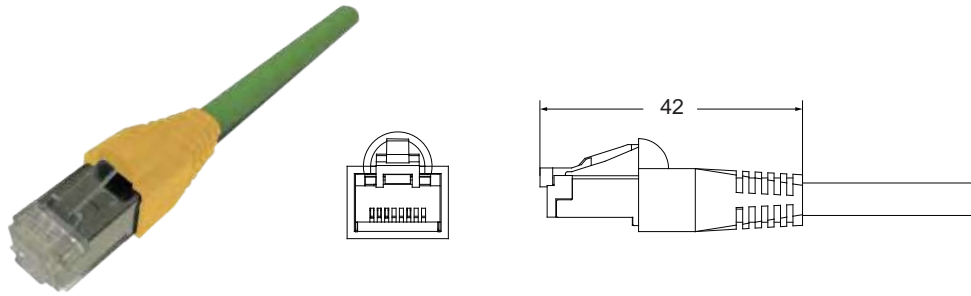
- Packing unit: 2M/10PCS/Bag, 5M/5PCS/Bag, 10M/1PCS/Bag
- Small package (200x150x100), Medium (330x250x150), Large (400x300x230) mm

Type No.	ID No.	Length	Angle	Coding	Current	Voltage	Wire gauge	Pinout	Wire colors
EWXM8-2/EN61	10121338	2M	Right angle	X-CODE	0.5A	50V	4x2x0.25 (4x2x24AWG) Teal PVC, shielded, OD=8.0 No.: 19810006		1 = WH/OR 2 = OR 3 = WH/GN 4 = GN 5 = WH/BN 6 = BN 7 = WH/BU 8 = BU
EWXM8-5/EN61	10121339	5M							
EWXM8-10/EN61	10121340	10M							
EWXM8-2/EN65	10121341	2M	Right angle	X-CODE	0.5A	50V	4x2x0.25 (4x2x24AWG) Teal PVC, shielded, drag chain, OD=8.0 No.: 19810065		1 = WH/OR 2 = OR 3 = WH/GN 4 = GN 5 = WH/BN 6 = BN 7 = WH/BU 8 = BU
EWXM8-5/EN65	10121342	5M							
EWXM8-10/EN65	10121343	10M							

* Standard cable lengths are 2/5/10M, Consult factory for other lengths *, EthetNet/IP, Cat6

DRJ45S EtherNet pre-moulding connector 4/8pins

Short RJ45, pre-moulding connector, shielded, Ethernet/IP



Technical data

- Plug body: TPU/Yellow
- Contact carrier: TPU+GF/Transparent
- Pin: Brass/Gold-plated
- Insulation resistance: $\geq 100M\Omega$
- Forward resistance: $\leq 5m\Omega$
- Transmission rate: 100 Mbps/4Pin
- transmission rate: 1000 Mbps/8Pin
- Degree of pollution: 2
- Ambient temperature: $-25\sim +85^{\circ}C$
- Degree of protection: IP20
- Plug: DRJ45S
- Coding: Cat5e
- Insertion/withdrawal cycles: ≥ 750
- Cable: Refer to cable specification for detailed data

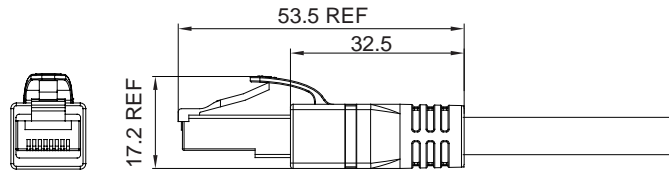
Key Commercial Data

- Packing unit: 2M/10PCS/Bag, 5M/5PCS/Bag, 10M/1PCS/Bag
- Small package (200×150×100), Medium (330×250×150), Large (400×300×230) mm

Type No.	ID No.	Length	Angle	Current	Voltage	Wire gauge	Pinout	Wire colors
DRJ45S-2/EN41	10450036	2M	Straight	1.5A	48V	2×2×0.25 (2×2×24AWG) Teal PVC, shielded, OD=5.6 No.: 19810002	 123 6	1 = WH/OR 2 = OR 3 = WH/GN 6 = GN
DRJ45S-5/EN41	10450037	5M						
DRJ45S-10/EN41	10450038	10M						
DRJ45S-2/EN45	10450084	2M	Straight	1.5A	48V	2×2×0.14 (2×2×26AWG) Teal PUR, shielded, drag chain, OD=6.2 No.: 19810003	 123 6	1 = WH/OR 2 = OR 3 = WH/GN 6 = GN
DRJ45S-5/EN45	10450085	5M						
DRJ45S-10/EN45	10450086	10M						
DRJ45S-2/EN51	10450205	2M	Straight	1.5A	48V	4×2×0.14 (4×2×26AWG) Teal PVC, shielded, OD=6.2 No.: 19810004	 12345678	1 = WH/OR 2 = OR 3 = WH/GN 4 = BU 5 = WH/BU 6 = GN 7 = WH/BN 8 = BN
DRJ45S-5/EN51	10450206	5M						
DRJ45S-10/EN51	10450207	10M						
DRJ45S-2/EN55	10450208	2M	Straight	1.5A	48V	4×2×0.14 (4×2×26AWG) Teal PVC, shielded, drag chain, OD=6.9 No.: 19810005	 12345678	1 = WH/OR 2 = OR 3 = WH/GN 4 = BU 5 = WH/BU 6 = GN 7 = WH/BN 8 = BN
DRJ45S-5/EN55	10450209	5M						
DRJ45S-10/EN55	10450210	10M						

* Standard cable lengths are 2/5/10M, Consult factory for other lengths *, EthetNet/IP, Cat5E

RJ45S, Pre-moulding connector, Shielded, Ethernet/IP



Technical data

- Plug body: TPU/Yellow
- Contact carrier: TPU+GF/Transparent
- Pin: Brass/Gold-plated
- Insulation resistance: $\geq 100M\Omega$
- Forward resistance: $\leq 5m\Omega$
- Degree of pollution: 2
- Degree of protection: IP20
- Transmission rate: 100 Mbps/4Pin
- Transmission rate: 1000 Mbps/8Pin
- Ambient temperature: -25~+85°C
- Plug: RJ45S
- Coding: Cat5e
- Insertion/withdrawal cycles: ≥ 750
- Cable: Refer to cable specification for detailed data

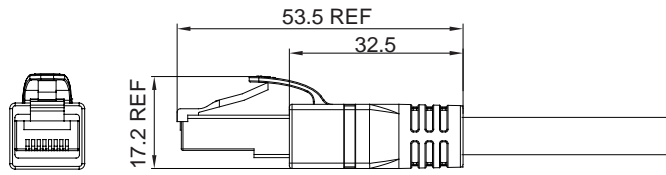
Key Commercial Data

- Packing unit: 2M/10PCS/Bag, 5M/5PCS/Bag, 10M/1PCS/Bag
- Small package (200×150×100), Medium (330×250×150), Large (400×300×230) mm

Type No.	ID No.	Length	Angle	Current	Voltage	Wire gauge	Pinout	Wire colors
RJ45S-2/EN41	10450021	2M	Straight	1.5A	48V	2×2×0.25 (2×2×24AWG) Teal PVC, shielded, OD=5.6 No.: 19810002	 123 6	1 = WH/OR 2 = OR 3 = WH/GN 6 = GN
RJ45S-5/EN41	10450022	5M						
RJ45S-10/EN41	10450023	10M						
RJ45S-2/EN45	10450072	2M	Straight	1.5A	48V	2×2×0.14 (2×2×26AWG) Teal PUR, shielded, drag chain, OD=6.2 No.: 19810003	 123 6	1 = WH/OR 2 = OR 3 = WH/GN 6 = GN
RJ45S-5/EN45	10450073	5M						
RJ45S-10/EN45	10450074	10M						
RJ45S-2/EN51	10450024	2M	Straight	1.5A	48V	4×2×0.14 (4×2×26AWG) Teal PVC, shielded, OD=6.2 No.: 19810004	 12345678	1 = WH/OR 2 = OR 3 = WH/GN 4 = BU 5 = WH/BU 6 = GN 7 = WH/BN 8 = BN
RJ45S-5/EN51	10450025	5M						
RJ45S-10/EN51	10450026	10M						
RJ45S-2/EN55	10450075	2M	Straight	1.5A	48V	4×2×0.14 (4×2×26AWG) Teal PVC, shielded, drag chain, OD=6.9 No.: 19810005	 12345678	1 = WH/OR 2 = OR 3 = WH/GN 4 = BU 5 = WH/BU 6 = GN 7 = WH/BN 8 = BN
RJ45S-5/EN55	10450076	5M						
RJ45S-10/EN55	10450077	10M						

* Standard cable lengths are 2/5/10M, Consult factory for other lengths *, EthetNet/IP, Cat5E

RJ45S, Pre-moulding connector, Shielded, Ethernet/IP



Technical data

- Plug body: TPU/Yellow
- Contact carrier: TPU+GF/Transparent
- Pin: Brass/Gold-plated
- Insulation resistance: $\geq 100M\Omega$
- Forward resistance: $\leq 5m\Omega$
- Degree of pollution: 2
- Degree of protection: IP20
- Transmission rate: 10 Gbps
- Insertion/withdrawal cycles: ≥ 750
- Ambient temperature: $-25\sim +85^{\circ}C$
- Plug: RJ45S
- Coding: Cat6
- Cable: Refer to cable specification for detailed data

Key Commercial Data

- Packing unit: 2M/10PCS/Bag, 5M/5PCS/Bag, 10M/1PCS/Bag
- Small package (200×150×100), Medium (330×250×150), Large (400×300×230) mm

Type No.	ID No.	Length	Angle	Current	Voltage	Wire gauge	Pinout	Wire colors
RJ45S-2/EN61	10450027	2M	Straight	1.5A	48V	4×2×0.25 (4×2×24AWG) Yellow-green PVC,shielded, OD=8.0 No.: 19810006	 12345678	1 = WH/OR
RJ45S-5/EN61	10450028	5M						2 = OR
RJ45S-10/EN61	10450029	10M						3 = WH/GN
RJ45S-2/EN65	10450211	2M	Straight	1.5A	48V	4×2×0.25 (4×2×24AWG) Yellow-green PVC,shielded, drag chain, OD=8.0 No.: 19810065	 12345678	4 = BU
RJ45S-5/EN65	10450212	5M						5 = WH/BU
RJ45S-10/EN65	10450213	10M						6 = GN
								7 = WH/BN
								8 = BN

* Standard cable lengths are 2/5/10M, Consult factory for other lengths *, EthetNet/IP, Cat6

M8

M12

7/8"

M16

M23

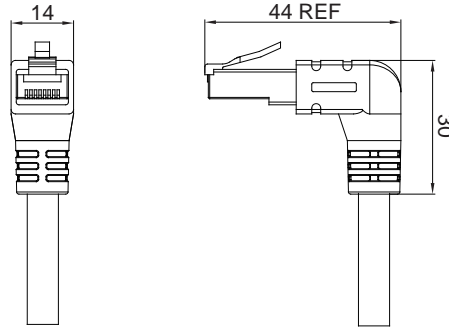
E-Net & P-Net 分支器 & 分线盒 阀式连接器

Profibus-DP

DeviceNet

CC-LINK

TRJ45S, Pre-moulding connector, Shielded, Ethernet/IP

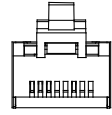
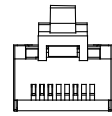
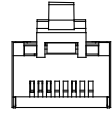
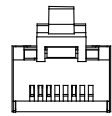


Technical data

- Plug body: TPU/Yellow
- Contact carrier: TPU+GF/Transparent
- Pin: Brass/Gold-plated
- Insulation resistance: ≥100MΩ
- Forward resistance: ≤5mΩ
- Degree of pollution: 2
- Degree of protection: IP20
- Transmission rate: 100 Mbps/4Pin
- Transmission rate: 1000 Mbps/8Pin
- Ambient temperature: -25~+85°C
- Plug: TRJ45S
- Coding: Cat5e
- Insertion/withdrawal cycles: ≥ 750
- Cable: Refer to cable specification for detailed data

Key Commercial Data

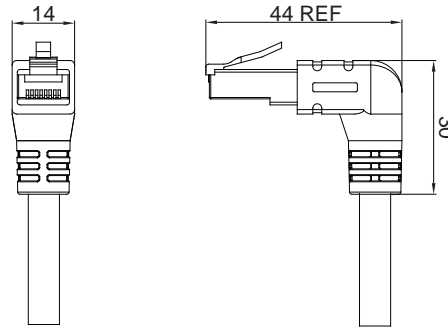
- Packing unit: 2M/10PCS/Bag, 5M/5PCS/Bag, 10M/1PCS/Bag
- Small package (200×150×100), Medium (330×250×150), Large (400×300×230) mm

Type No.	ID No.	Length	Angle	Current	Voltage	Wire gauge	Pinout	Wire colors
TRJ45S-2/EN41	10450054	2M	Right angle Buckle up	1.5A	48V	2×2×0.25 (2×2×24AWG) Teal PVC, shielded, OD=5.6 No.: 19810002	 123 6	1 = WH/OR 2 = OR 3 = WH/GN 6 = GN
TRJ45S-5/EN41	10450055	5M						
TRJ45S-10/EN41	10450056	10M						
TRJ45S-2/EN45	10450102	2M	Right angle Buckle up	1.5A	48V	2×2×0.14 (2×2×26AWG) Teal PUR, shielded, drag chain, OD=6.2 No.: 19810003	 123 6	1 = WH/OR 2 = OR 3 = WH/GN 6 = GN
TRJ45S-5/EN45	10450103	5M						
TRJ45S-10/EN45	10450104	10M						
TRJ45S-2/EN51	10450057	2M	Right angle Buckle up	1.5A	48V	4×2×0.14 (4×2×26AWG) Teal PVC, shielded, OD=6.2 No.: 19810004	 12345678	1 = WH/OR 2 = OR 3 = WH/GN 4 = BU 5 = WH/BU 6 = GN 7 = WH/BN 8 = BN
TRJ45S-5/EN51	10450058	5M						
TRJ45S-10/EN51	10450059	10M						
TRJ45S-2/EN55	10450105	2M	Right angle Buckle up	1.5A	48V	4×2×0.14 (4×2×26AWG) Teal PVC, shielded, drag chain, OD=6.9 No.: 19810005	 12345678	1 = WH/OR 2 = OR 3 = WH/GN 4 = BU 5 = WH/BU 6 = GN 7 = WH/BN 8 = BN
TRJ45S-5/EN55	10450106	5M						
TRJ45S-10/EN55	10450107	10M						

* Standard cable lengths are 2/5/10M, Consult factory for other lengths *, EthetNet/IP, Cat5e

TRJ45S EtherNet pre-moulding connector 8pins

TRJ45S, Pre-moulding connector, Shielded, Ethernet/IP

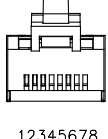
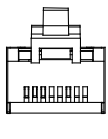


Technical data

- Plug body: TPU/Yellow
- Contact carrier: TPU+GF/Transparent
- Pin: Brass/Gold-plated
- Insulation resistance: $\geq 100M\Omega$
- Forward resistance: $\leq 5m\Omega$
- Degree of pollution: 2
- Degree of protection: IP20
- Transmission rate: 10 Gbps
- Insertion/withdrawal cycles: ≥ 750
- Ambient temperature: $-25\sim +85^{\circ}C$
- Plug: TRJ45S
- Coding: Cat6
- Cable: Refer to cable specification for detailed data

Key Commercial Data

- Packing unit: 2M/10PCS/Bag, 5M/5PCS/Bag, 10M/1PCS/Bag
- Small package (200×150×100), Medium (330×250×150), Large (400×300×230) mm

Type No.	ID No.	Length	Angle	Current	Voltage	Wire gauge	Pinout	Wire colors
TRJ45S-2/EN61	10450060	2M	Right angle Buckle up	1.5A	48V	4×2×0.25 (4×2×24AWG) Yellow-green PVC,shielded, OD=8.0 No.: 19810006	 12345678	1 = WH/OR
TRJ45S-5/EN61	10450061	5M						2 = OR
TRJ45S-10/EN61	10450062	10M						3 = WH/GN
TRJ45S-2/EN65	10450214	2M	Right angle Buckle up	1.5A	48V	4×2×0.25 (4×2×24AWG) Yellow-green PVC,shielded, drag chain, OD=8.0 No.: 19810065	 12345678	4 = BU
TRJ45S-5/EN65	10450215	5M						5 = WH/BU
TRJ45S-10/EN65	10450216	10M						6 = GN
								7 = WH/BN
								8 = BN

* Standard cable lengths are 2/5/10M, Consult factory for other lengths *, EthetNet/IP, Cat6

M8

M12

7/8"

M16

M23

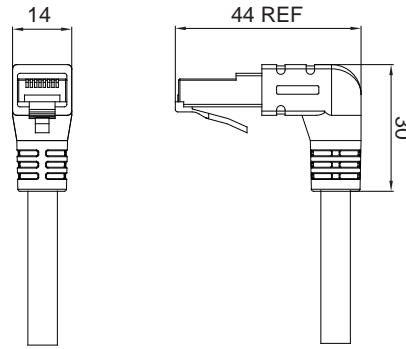
E-Net & P-Net 分支器&分线盒 阀式连接器

Profibus-DP

DeviceNet

CC-LINK

BRJ45S, Pre-moulding connector, Shielded, Ethernet/IP

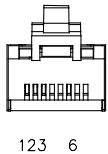
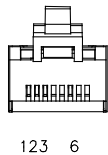
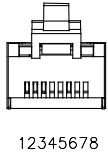
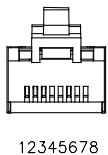


Technical data

- Plug body: TPU/Yellow
- Contact carrier: TPU+GF/Transparent
- Pin: Brass/Gold-plated
- Insulation resistance: ≥100MΩ
- Forward resistance: ≤5mΩ
- Degree of pollution: 2
- Degree of protection: IP20
- Transmission rate: 100 Mbps/4Pin
- Transmission rate: 1000 Mbps/8Pin
- Ambient temperature: -25~+85°C
- Plug: BRJ45S
- Coding: Cat5e
- Insertion/withdrawal cycles: ≥ 750
- Cable: Refer to cable specification for detailed data

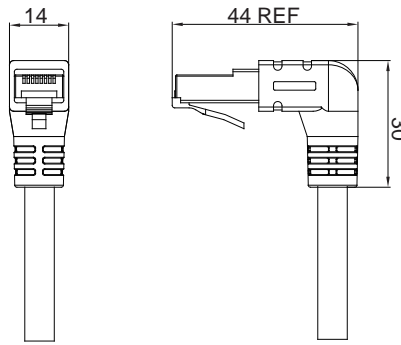
Key Commercial Data

- Packing unit: 2M/10PCS/Bag, 5M/5PCS/Bag, 10M/1PCS/Bag
- Small package (200×150×100), Medium (330×250×150), Large (400×300×230) mm

Type No.	ID No.	Length	Angle	Current	Voltage	Wire gauge	Pinout	Wire colors
BRJ45S-2/EN41	10450042	2M	Right angle Buckle down	1.5A	48V	2×2×0.25 (2×2×24AWG) Teal PVC, shielded, OD=5.6 No.: 19810002	 123 6	1 = WH/OR 2 = OR 3 = WH/GN 6 = GN
BRJ45S-5/EN41	10450043	5M						
BRJ45S-10/EN41	10450044	10M						
BRJ45S-2/EN45	10450090	2M	Right angle Buckle down	1.5A	48V	2×2×0.14 (2×2×26AWG) Teal PUR, shielded, drag chain, OD=6.2 No.: 19810003	 123 6	1 = WH/OR 2 = OR 3 = WH/GN 6 = GN
BRJ45S-5/EN45	10450091	5M						
BRJ45S-10/EN45	10450092	10M						
BRJ45S-2/EN51	10450045	2M	Right angle Buckle down	1.5A	48V	4×2×0.14 (4×2×26AWG) Teal PVC, shielded, OD=6.2 No.: 19810004	 12345678	1 = WH/OR 2 = OR 3 = WH/GN 4 = BU 5 = WH/BU 6 = GN 7 = WH/BN 8 = BN
BRJ45S-5/EN51	10450046	5M						
BRJ45S-10/EN51	10450047	10M						
BRJ45S-2/EN55	10450093	2M	Right angle Buckle down	1.5A	48V	4×2×0.14 (4×2×26AWG) Teal PVC, shielded, drag chain, OD=6.9 No.: 19810005	 12345678	1 = WH/OR 2 = OR 3 = WH/GN 4 = BU 5 = WH/BU 6 = GN 7 = WH/BN 8 = BN
BRJ45S-5/EN55	10450094	5M						
BRJ45S-10/EN55	10450095	10M						

* Standard cable lengths are 2/5/10M, Consult factory for other lengths *, EthetNet/IP, Cat5e

BRJ45S, Pre-moulding connector, Shielded, Ethernet/IP



Technical data

- Plug body: TPU/Yellow
- Contact carrier: TPU+GF/Transparent
- Pin: Brass/Gold-plated
- Insulation resistance: $\geq 100M\Omega$
- Forward resistance: $\leq 5m\Omega$
- Degree of pollution: 2
- Degree of protection: IP20
- Transmission rate: 10 Gbps
- Insertion/withdrawal cycles: ≥ 750
- Ambient temperature: $-25\sim +85^{\circ}C$
- Plug: BRJ45S
- Coding: Cat6
- Cable: Refer to cable specification for detailed data

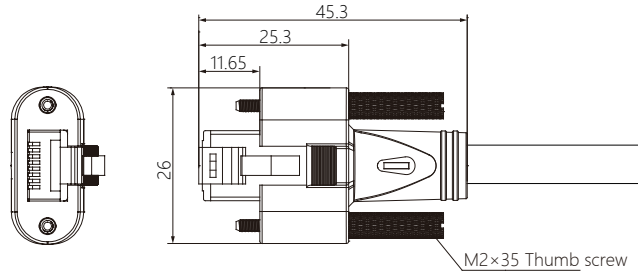
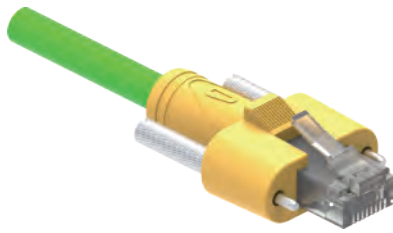
Key Commercial Data

- Packing unit: 2M/10PCS/Bag, 5M/5PCS/Bag, 10M/1PCS/Bag
- Small package (200×150×100), Medium (330×250×150), Large (400×300×230) mm

Type No.	ID No.	Length	Angle	Current	Voltage	Wire gauge	Pinout	Wire colors
BRJ45S-2/EN61	10450048	2M	Right angle Buckle down	1.5A	48V	4×2×0.25 (4×2×24AWG) Yellow-green PVC,shielded, OD=8.0 No.: 19810006	 12345678	1 = WH/OR
BRJ45S-5/EN61	10450049	5M						2 = OR
BRJ45S-10/EN61	10450050	10M						3 = WH/GN 4 = BU 5 = WH/BU 6 = GN 7 = WH/BN 8 = BN
BRJ45S-2/EN65	10450217	2M	Right angle Buckle down	1.5A	48V	4×2×0.25 (4×2×24AWG) Yellow-green PVC,shielded, drag chain, OD=8.0 No.: 19810065	 12345678	1 = WH/OR
BRJ45S-5/EN65	10450218	5M						2 = OR
BRJ45S-10/EN65	10450219	10M						3 = WH/GN 4 = BU 5 = WH/BU 6 = GN 7 = WH/BN 8 = BN

* Standard cable lengths are 2/5/10M, Consult factory for other lengths *, EthetNet/IP, Cat6

CRJ45S, Pre-moulding connector, Shielded, Ethernet/IP

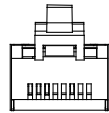
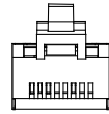
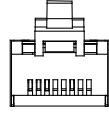
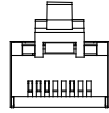


Technical data

- Plug body: TPU/Yellow
- Contact carrier: TPU+GF/Transparent
- Pin: Brass/Gold-plated
- Insulation resistance: ≥100MΩ
- Forward resistance: ≤5mΩ
- Degree of pollution: 2
- Degree of protection: IP20
- Transmission rate: 100 Mbps/4Pin
- Transmission rate: 1000 Mbps/8Pin
- Ambient temperature: -25~+85°C
- Plug: CRJ45S
- Coding: Cat5e
- Insertion/withdrawal cycles: ≥ 750
- Cable: Refer to cable specification for detailed data

Key Commercial Data

- Packing unit: 2M/10PCS/Bag, 5M/5PCS/Bag, 10M/1PCS/Bag
- Small package (200×150×100) , Medium (330×250×150) , Large (400×300×230) mm

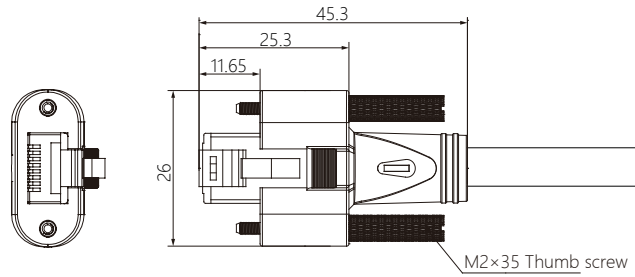
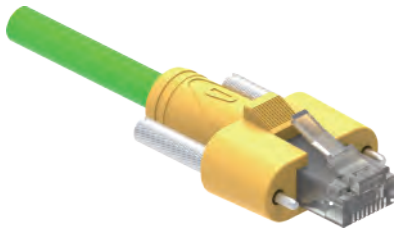
Type No.	ID No.	Length	Angle	Current	Voltage	Wire gauge	Pinout	Wire colors
CRJ45S-2/EN41	10450220	2M	Straight Screw cordset	1.5A	48V	2×2×0.25 (2×2×24AWG) Teal PVC, shielded, OD=5.6 No.: 19810002	 123 6	1 = WH/OR 2 = OR 3 = WH/GN 6 = GN
CRJ45S-5/EN41	10450221	5M						
CRJ45S-10/EN41	10450222	10M						
CRJ45S-2/EN45	10450223	2M	Straight Screw cordset	1.5A	48V	2×2×0.14 (2×2×26AWG) Teal PUR, shielded, drag chain, OD=6.2 No.: 19810003	 123 6	1 = WH/OR 2 = OR 3 = WH/GN 6 = GN
CRJ45S-5/EN45	10450224	5M						
CRJ45S-10/EN45	10450225	10M						
CRJ45S-2/EN51	10450063	2M	Straight Screw cordset	1.5A	48V	4×2×0.14 (4×2×26AWG) Teal PVC, shielded, OD=6.2 No.: 19810004	 12345678	1 = WH/OR 2 = OR 3 = WH/GN 4 = BU 5 = WH/BU 6 = GN 7 = WH/BN 8 = BN
CRJ45S-5/EN51	10450064	5M						
CRJ45S-10/EN51	10450065	10M						
CRJ45S-2/EN55	10450111	2M	Straight Screw cordset	1.5A	48V	4×2×0.14 (4×2×26AWG) Teal PVC, shielded, drag chain, OD=6.9 No.: 19810005	 12345678	1 = WH/OR 2 = OR 3 = WH/GN 4 = BU 5 = WH/BU 6 = GN 7 = WH/BN 8 = BN
CRJ45S-5/EN55	10450112	5M						
CRJ45S-10/EN55	10450113	10M						

* Standard cable lengths are 2/5/10M, Consult factory for other lengths *, EthetNet/IP, Cat5e

M8
M12
7/8"
M16
M23
E-Net & P-Net
Profibus-DP
DeviceNet
CC-LINK

CRJ45S EtherNet pre-moulding connector 8pins

CRJ45S, Pre-moulding connector, Shielded, Ethernet/IP



Technical data

- Plug body: TPU/Yellow
- Contact carrier: TPU+GF/Transparent
- Pin: Brass/Gold-plated
- Insulation resistance: $\geq 100M\Omega$
- Forward resistance: $\leq 5m\Omega$
- Degree of pollution: 2
- Degree of protection: IP20
- Transmission rate: 10 Gbps
- Insertion/withdrawal cycles: ≥ 750
- Ambient temperature: $-25\sim +85^{\circ}C$
- Plug: CRJ45S
- Coding: Cat6
- Cable: Refer to cable specification for detailed data

Key Commercial Data

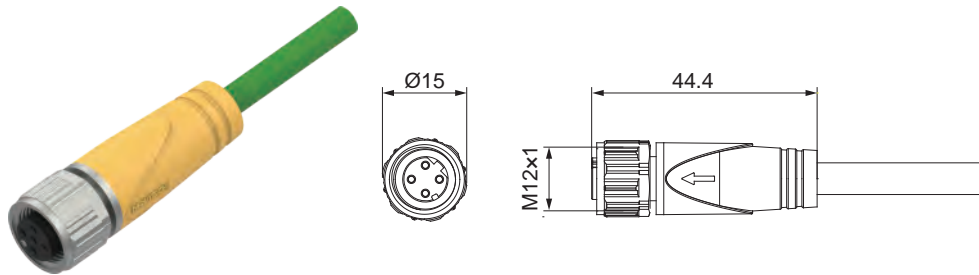
- Packing unit: 2M/10PCS/Bag, 5M/5PCS/Bag, 10M/1PCS/Bag
- Small package (200×150×100), Medium (330×250×150), Large (400×300×230) mm

Type No.	ID No.	Length	Angle	Current	Voltage	Wire gauge	Pinout	Wire colors
CRJ45S-2/EN61	10450066	2M	Straight Screw cordest	1.5A	48V	4×2×0.25 (4×2×24AWG) Yellow-green PVC,shielded, OD=8.0 No.: 19810006	 12345678	1 = WH/OR 2 = OR 3 = WH/GN 4 = BU 5 = WH/BU 6 = GN 7 = WH/BN 8 = BN
CRJ45S-5/EN61	10450067	5M						
CRJ45S-10/EN61	10450068	10M						
CRJ45S-2/EN65	10450226	2M	Straight Screw cordest	1.5A	48V	4×2×0.25 (4×2×24AWG) Yellow-green PVC,shielded, drag chain, OD=8.0 No.: 19810065	 12345678	1 = WH/OR 2 = OR 3 = WH/GN 4 = BU 5 = WH/BU 6 = GN 7 = WH/BN 8 = BN
CRJ45S-5/EN65	10450227	5M						
CRJ45S-10/EN65	10450228	10M						

* Standard cable lengths are 2/5/10M, Consult factory for other lengths *, EthetNet/IP, Cat6

M8
M12
7/8"
M16
M23
E-Net & P-Net 分支器 & 分线盒 阀式连接器
Profibus-DP
DeviceNet
CC-LINK

M12 D-code Female, Pre-moulding connector, Anti-vibration, ProfiNet



Technical data

- Plug body: TPU/Yellow
- Coupling nut: Zinc/Nickel-plated
- Contact carrier: TPU+GF/Black
- Pin: Brass/Gold-plated
- O-ring: FPM/FKM
- Insulation resistance: $\geq 100M\Omega$
- Forward resistance: $\leq 5m\Omega$
- Degree of pollution: 3
- Ambient temperature: $-25\sim +85^{\circ}C$
- Degree of protection: IP67
- Plug: M12x1
- Coding: D-CODE
- Insertion/withdrawal cycles: ≥ 100
- Standards: IEC 61076-2-101
- Torque: 0.4 Nm (M12 Plug connector)
- Cable: Refer to cable specification for detailed data

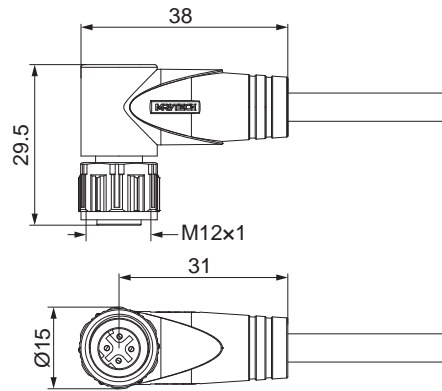
Key Commercial Data

- Weight: 4Pin/10g, 5Pin/10.3g (excluding cable)
- Packing unit: 2M/10PCS/Bag, 5M/5PCS/Bag, 10M/1PCS/Bag
Small package (200x150x100) , Medium (330x250x150) , Large (400x300x230) mm

Type No.	ID No.	Length	Angle	Coding	Current	Voltage	Wire gauge	Pinout	Wire colors
EDF4-2/PN21	10121255	2M	Straight	D-CODE	4A	250V	2x2x0.34 (2x2x22AWG) Yellow-green PVC,shielded, OD=6.5 No.: 19810010		1 = Yellow(+tx) 2 = White(+rx) 3 = Orange(-tx) 4 = Blue(-rx)
EDF4-5/PN21	10121256	5M							
EDF4-10/PN21	10121257	10M							
EDF4-2/PN23	10121258	2M	Straight	D-CODE	4A	250V	2x2x0.34 (2x2x22AWG) Yellow-green PUR,shielded, drag chain, OD=6.5 No.: 19810011		1 = Yellow(+tx) 2 = White(+rx) 3 = Orange(-tx) 4 = Blue(-rx)
EDF4-5/PN23	10121259	5M							
EDF4-10/PN23	10121260	10M							

* Standard cable lengths are 2/5/10M, Consult factory for other lengths *, ProfiNet, Cat5e

M12 D-code Right angle Female, Pre-moulding connector, Anti-vibration, ProfiNet



Technical data

- Plug body: TPU/Yellow
- Coupling nut: Zinc/Nickel-plated
- Contact carrier: TPU+GF/Black
- Pin: Brass/Gold-plated
- O-ring: FPM/FKM
- Insulation resistance: $\geq 100M\Omega$
- Forward resistance: $\leq 5m\Omega$
- Degree of pollution: 3
- Ambient temperature: $-25\sim +85^{\circ}C$
- Degree of protection: IP67
- Plug: M12x1
- Coding: D-CODE
- Insertion/withdrawal cycles: ≥ 100
- Standards: IEC 61076-2-101
- Torque: 0.4 Nm (M12 Plug connector)
- Cable: Refer to cable specification for detailed data

Key Commercial Data

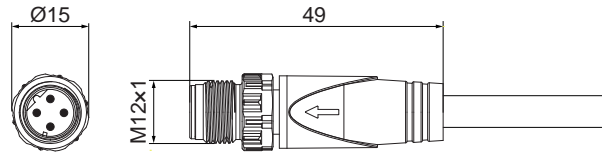
- Weight: 4Pin/10g, 5Pin/10.3g (excluding cable)
- Packing unit: 2M/10PCS/Bag, 5M/5PCS/Bag, 10M/1PCS/Bag
Small package (200×150×100) , Medium (330×250×150) , Large (400×300×230) mm

Type No.	ID No.	Length	Angle	Coding	Current	Voltage	Wire gauge	Pinout	Wire colors
EWDF4-2/PN21	10121255	2M	Right angle	D-CODE	4A	250V	2×2×0.34 (2×2×22AWG) Yellow-green PVC,shielded, OD=6.5 No.: 19810010		1 = Yellow(+tx) 2 = White(+rx) 3 = Orange(-tx) 4 = Blue(-rx)
EWDF4-5/PN21	10121256	5M							
EWDF4-10/PN21	10121257	10M							
EWDF4-2/PN23	10121258	2M	Right angle	D-CODE	4A	250V	2×2×0.34 (2×2×22AWG) Yellow-green PUR,shielded, drag chain, OD=6.5 No.: 19810011		1 = Yellow(+tx) 2 = White(+rx) 3 = Orange(-tx) 4 = Blue(-rx)
EWDF4-5/PN23	10121259	5M							
EWDF4-10/PN23	10121260	10M							

* Standard cable lengths are 2/5/10M, Consult factory for other lengths *, ProfiNet, Cat5e

M8
M12
7/8"
M16
M23
E-Net & P-Net 分支器 & 分线盒 阀式连接器
Profibus-DP
DeviceNet
CC-LINK

M12 D-code Male, Pre-moulding connector, Anti-vibration, ProfiNet



Technical data

- Plug body: TPU/Yellow
- Coupling nut: Zinc/Nickel-plated
- Contact carrier: TPU+GF/Black
- Pin: Brass/Gold-plated
- O-ring: FPM/FKM
- Insulation resistance: $\geq 100M\Omega$
- Forward resistance: $\leq 5m\Omega$
- Degree of pollution: 3
- Ambient temperature: $-25\sim +85^{\circ}C$
- Degree of protection: IP67
- Plug: M12x1
- Coding: D-CODE
- Insertion/withdrawal cycles: ≥ 100
- Standards: IEC 61076-2-101
- Torque: 0.4 Nm (M12 Plug connector)
- Cable: Refer to cable specification for detailed data

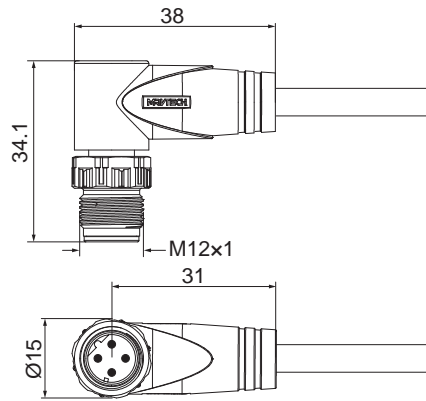
Key Commercial Data

- Weight: 4Pin/10g, 5Pin/10.3g (excluding cable)
- Packing unit: 2M/10PCS/Bag, 5M/5PCS/Bag, 10M/1PCS/Bag
Small package (200x150x100), Medium (330x250x150), Large (400x300x230) mm

Type No.	ID No.	Length	Angle	Coding	Current	Voltage	Wire gauge	Pinout	Wire colors
EDM4-2/PN21	10121261	2M	Straight	D-CODE	4A	250V	2x2x0.34 (2x2x22AWG) Yellow-green PVC,shielded, OD=6.5 No.: 19810010		1 = Yellow(+tx) 2 = White(+rx) 3 = Orange(-tx) 4 = Blue(-rx)
EDM4-5/PN21	10121262	5M							
EDM4-10/PN21	10121263	10M							
EDM4-2/PN23	10121264	2M	Straight	D-CODE	4A	250V	2x2x0.34 (2x2x22AWG) Yellow-green PUR,shielded, drag chain, OD=6.5 No.: 19810011		1 = Yellow(+tx) 2 = White(+rx) 3 = Orange(-tx) 4 = Blue(-rx)
EDM4-5/PN23	10121265	5M							
EDM4-10/PN23	10121266	10M							

*Standard cable lengths are 2/5/10M, Consult factory for other lengths *, ProfiNet, Cat5e

M12 D-code Right angle Male, Pre-moulding connector, Anti-vibration, ProfiNet



Technical data

- Plug body: TPU/Yellow
- Coupling nut: Zinc/Nickel-plated
- Contact carrier: TPU+GF/Black
- Pin: Brass/Gold-plated
- O-ring: FPM/FKM
- Insulation resistance: $\geq 100M\Omega$
- Forward resistance: $\leq 5m\Omega$
- Degree of pollution: 3
- Ambient temperature: $-25\sim +85^{\circ}C$
- Degree of protection: IP67
- Plug: M12×1
- Coding: D-CODE
- Insertion/withdrawal cycles: ≥ 100
- Standards: IEC 61076-2-101
- Torque: 0.4 Nm (M12 Plug connector)
- Cable: Refer to cable specification for detailed data

Key Commercial Data

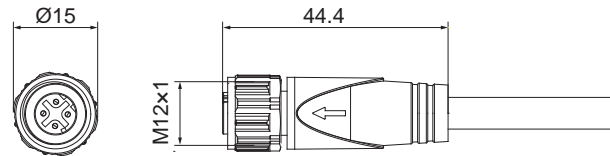
- Weight: 4Pin/10g, 5Pin/10.3g (excluding cable)
- Packing unit: 2M/10PCS/Bag, 5M/5PCS/Bag, 10M/1PCS/Bag
Small package (200×150×100) , Medium (330×250×150) , Large (400×300×230) mm

Type No.	ID No.	Length	Angle	Coding	Current	Voltage	Wire gauge	Pinout	Wire colors
EWDM4-2/PN21	10121267	2M	Right angle	D-CODE	4A	250V	2×2×0.34 (2×2×22AWG) Yellow-green PVC,shielded, OD=6.5 No.: 19810010		1 = Yellow(+tx) 2 = White(+rx) 3 = Orange(-tx) 4 = Blue(-rx)
EWDM4-5/PN21	10121268	5M							
EWDM4-10/PN21	10121269	10M							
EWDM4-2/PN23	10121270	2M	Right angle	D-CODE	4A	250V	2×2×0.34 (2×2×22AWG) Yellow-green PUR,shielded, drag chain, OD=6.5 No.: 19810011		1 = Yellow(+tx) 2 = White(+rx) 3 = Orange(-tx) 4 = Blue(-rx)
EWDM4-5/PN23	10121271	5M							
EWDM4-10/PN23	10121272	10M							

* Standard cable lengths are 2/5/10M, Consult factory for other lengths *, ProfiNet, Cat5e

M8
M12
7/8"
M16
M23
E-Net & P-Net 分支器 & 分线盒 阀式连接器
Profibus-DP
DeviceNet
CC-LINK

M12 D-code Female, Pre-moulding connector, Anti-vibration, EtherCAT



Technical data

- Plug body: TPU/Yellow
- Coupling nut: Zinc/Nickel-plated
- Contact carrier: TPU+GF/Black
- Pin: Brass/Gold-plated
- O-ring: FPM/FKM
- Insulation resistance: $\geq 100M\Omega$
- Forward resistance: $\leq 5m\Omega$
- Degree of pollution: 3
- Ambient temperature: $-25\sim +85^{\circ}C$
- Degree of protection: IP67
- Plug: M12x1
- Coding: D-CODE
- Insertion/withdrawal cycles: ≥ 100
- Standards: IEC 61076-2-101
- Torque: 0.4 Nm (M12 Plug connector)
- Cable: Refer to cable specification for detailed data

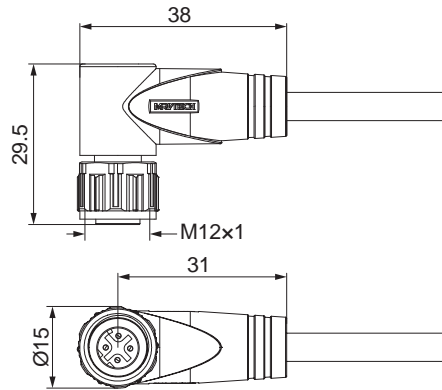
Key Commercial Data

- Weight: 4Pin/10g, 5Pin/10.3g (excluding cable)
- Packing unit: 2M/10PCS/Bag, 5M/5PCS/Bag, 10M/1PCS/Bag
- Small package (200x150x100), Medium (330x250x150), Large (400x300x230) mm

Type No.	ID No.	Length	Angle	Coding	Current	Voltage	Wire gauge	Pinout	Wire colors
EDF4-2/PN27	10121273	2M	Straight	D-CODE	1.5A	60V	2x2x0.14 (2x2x26AWG) Yellow-green PUR,shielded, drag chain, OD=4.8 No.: 19810013		1 = OR/WH (+tx) 2 = BU/WH(+rx) 3 =OR(-tx) 4 = BU(-rx)
EDF4-5/PN27	10121274	5M							
EDF4-10/PN27	10121275	10M							

* Standard cable lengths are 2/5/10M, Consult factory for other lengths *, EtherCAT, Cat5e

M12 D-code Right angle Female, Pre-moulding connector, Anti-vibration, EtherCAT



Technical data

- Plug body: TPU/Yellow
- Coupling nut: Zinc/Nickel-plated
- Contact carrier: TPU+GF/Black
- Pin: Brass/Gold-plated
- O-ring: FPM/FKM
- Insulation resistance: $\geq 100M\Omega$
- Forward resistance: $\leq 5m\Omega$
- Degree of pollution: 3
- Ambient temperature: $-25\sim +85^{\circ}C$
- Degree of protection: IP67
- Plug: M12x1
- Coding: D-CODE
- Insertion/withdrawal cycles: ≥ 100
- Standards: IEC 61076-2-101
- Torque: 0.4 Nm (M12 Plug connector)
- Cable: Refer to cable specification for detailed data

Key Commercial Data

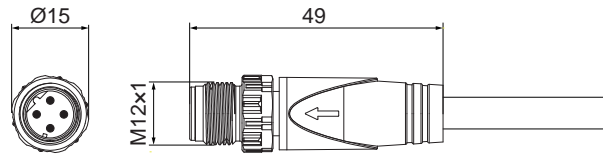
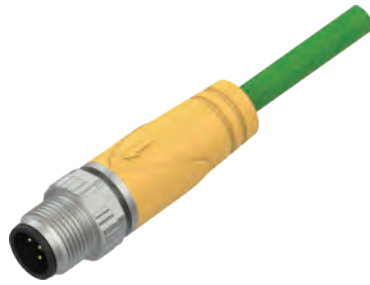
- Weight: 4Pin/10g, 5Pin/10.3g (excluding cable)
- Packing unit: 2M/10PCS/Bag, 5M/5PCS/Bag, 10M/1PCS/Bag
Small package (200x150x100), Medium (330x250x150), Large (400x300x230) mm

Type No.	ID No.	Length	Angle	Coding	Current	Voltage	Wire gauge	Pinout	Wire colors
EWDF4-2/PN27	10121276	2M	Right angle	D-CODE	1.5A	48V	2x2x0.14 (2x2x26AWG) Yellow-green PUR,shielded, drag chain, OD=4.8 No.: 19810013		1 = OR/WH (+tx) 2 = BU/WH(+rx) 3 = OR(-tx) 4 = BU(-rx)
EWDF4-5/PN27	10121277	5M							
EWDF4-10/PN27	10121278	10M							

* Standard cable lengths are 2/5/10M, Consult factory for other lengths *, EtherCAT, Cat5e

M8
M12
7/8"
M16
M23
E-Net & P-Net 分支器 & 分线盒 阀式连接器
Profibus-DP
DeviceNet
CC-LINK

M12 D-code Male, Pre-moulding connector, Anti-vibration, EtherCAT



Technical data

- Plug body: TPU/Yellow
- Coupling nut: Zinc/Nickel-plated
- Contact carrier: TPU+GF/Black
- Pin: Brass/Gold-plated
- O-ring: FPM/FKM
- Insulation resistance: $\geq 100M\Omega$
- Forward resistance: $\leq 5m\Omega$
- Degree of pollution: 3
- Ambient temperature: $-25\sim +85^{\circ}C$
- Degree of protection: IP67
- Plug: M12x1
- Coding: D-CODE
- Insertion/withdrawal cycles: ≥ 100
- Standards: IEC 61076-2-101
- Torque: 0.4 Nm (M12 Plug connector)
- Cable: Refer to cable specification for detailed data

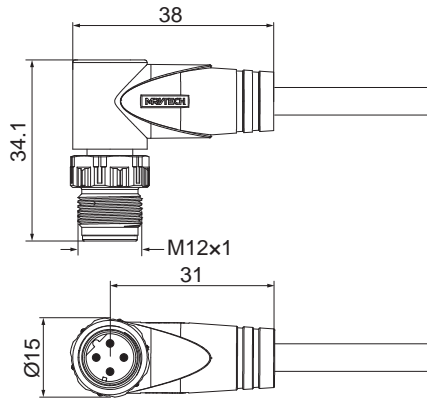
Key Commercial Data

- Weight: 4Pin/10g, 5Pin/10.3g (excluding cable)
- Packing unit: 2M/10PCS/Bag, 5M/5PCS/Bag, 10M/1PCS/Bag
Small package (200x150x100), Medium (330x250x150), Large (400x300x230) mm

Type No.	ID No.	Length	Angle	Coding	Current	Voltage	Wire gauge	Pinout	Wire colors
EDM4-2/PN27	10121279	2M	Straight	D-CODE	1.5A	48V	2x2x0.14 (2x2x26AWG) Yellow-green PUR,shielded, drag chain, OD=4.8 No.: 19810013		1 = OR/WH (+tx) 2 = BU/WH(+rx) 3 = OR(-tx) 4 = BU(-rx)
EDM4-5/PN27	10121280	5M							
EDM4-10/PN27	10121281	10M							

* Standard cable lengths are 2/5/10M, Consult factory for other lengths *, EtherCAT, Cat5e

M12 D-code Right angle Male, Pre-moulding connector, Anti-vibration, EtherCAT



Technical data

- Plug body: TPU/Yellow
- Coupling nut: Zinc/Nickel-plated
- Contact carrier: TPU+GF/Black
- Pin: Brass/Gold-plated
- O-ring: FPM/FKM
- Insulation resistance: $\geq 100M\Omega$
- Forward resistance: $\leq 5m\Omega$
- Degree of pollution: 3
- Ambient temperature: $-25\sim +85^{\circ}C$
- Degree of protection: IP67
- Plug: M12x1
- Coding: D-CODE
- Insertion/withdrawal cycles: ≥ 100
- Standards: IEC 61076-2-101
- Torque: 0.4 Nm (M12 Plug connector)
- Cable: Refer to cable specification for detailed data

Key Commercial Data

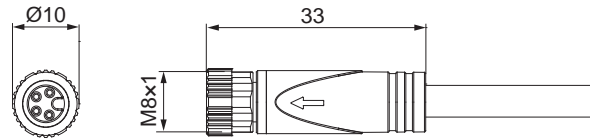
- Weight: 4Pin/10g, 5Pin/10.3g (excluding cable)
- Packing unit: 2M/10PCS/Bag, 5M/5PCS/Bag, 10M/1PCS/Bag
Small package (200x150x100) , Medium (330x250x150) , Large (400x300x230) mm

Type No.	ID No.	Length	Angle	Coding	Current	Voltage	Wire gauge	Pinout	Wire colors
EWDM4-2/PN27	10121282	2M	Right angle	D-CODE	1.5A	48V	2x2x0.14 (2x2x26AWG) Yellow-green PUR,shielded, drag chain, OD=4.8 No.: 19810013		1 = OR/WH (+tx) 2 = BU/WH(+rx) 3 = OR(-tx) 4 = BU(-rx)
EWDM4-5/PN27	10121283	5M							
EWDM4-10/PN27	10121284	10M							

* Standard cable lengths are 2/5/10M, Consult factory for other lengths *, EtherCAT, Cat5e

M8
M12
7/8"
M16
M23
E-Net & P-Net
分支器 & 分线盒
阀式连接器
Profibus-DP
DeviceNet
CC-LINK

M8 A-code Female, Pre-moulding connector, Anti-vibration, EtherCAT



Technical data

- Plug body: TPU/Yellow
- Coupling nut: Zinc/Nickel-plated
- Contact carrier: TPU+GF/Black
- Pin: Brass/Gold-plated
- O-ring: FPM/FKM
- Insulation resistance: $\geq 100M\Omega$
- Forward resistance: $\leq 5m\Omega$
- Degree of pollution: 3
- Ambient temperature: $-25\sim +85^{\circ}C$
- Degree of protection: IP67
- Plug: M8x1
- Coding: A-CODE
- Insertion/withdrawal cycles: ≥ 100
- Standards: IEC 61076-2-104
- Torque: 0.2 Nm (M8 Plug connector)
- Cable: Refer to cable specification for detailed data

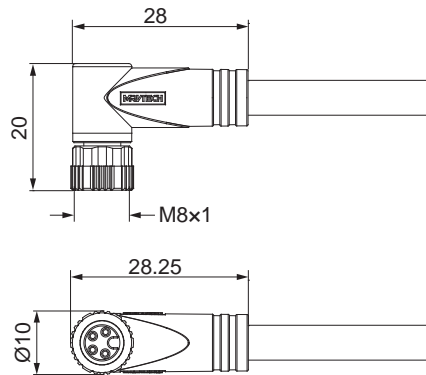
Key Commercial Data

- Weight: 4Pin/8g(excluding cable)
- Packing unit: 2M/10PCS/Bag, 5M/5PCS/Bag, 10M/1PCS/Bag
Small package (200×150×100) , Medium (330×250×150) , Large (400×300×230) mm

Type No.	ID No.	Length	Angle	Coding	Current	Voltage	Wire gauge	Pinout	Wire colors
SAF4-2/PN27	10080516	2M	Straight	A-CODE	1.5A	48V	2×2×0.14 (2×2×26AWG) Yellow-green PUR,shielded, drag chain, OD=4.8 No.: 19810013		1 = OR/WH (+tx) 2 = BU/WH(+rx) 3 = BU(-rx) 4 = OR(-tx)
SAF4-5/PN27	10080517	5M							
SAF4-10/PN27	10080518	10M							

* Standard cable lengths are 2/5/10M, Consult factory for other lengths *, EtherCAT, Cat5e

M8 A-code Right angle Female, Pre-moulding connector, Anti-vibration, EtherCAT



Technical data

- Plug body: TPU/Yellow
- Coupling nut: Zinc/Nickel-plated
- Contact carrier: TPU+GF/Black
- Pin: Brass/Gold-plated
- O-ring: FPM/FKM
- Insulation resistance: $\geq 100M\Omega$
- Forward resistance: $\leq 5m\Omega$
- Degree of pollution: 3
- Ambient temperature: $-25\sim +85^{\circ}C$
- Degree of protection: IP67
- Plug: M8x1
- Coding: A-CODE
- Insertion/withdrawal cycles: ≥ 100
- Standards: IEC 61076-2-104
- Torque: 0.2 Nm (M8 Plug connector)
- Cable: Refer to cable specification for detailed data

Key Commercial Data

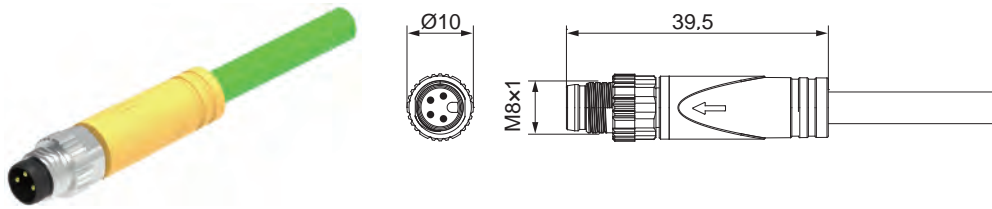
- Weight: 4Pin/10.3g(excluding cable)
- Packing unit: 2M/10PCS/Bag, 5M/5PCS/Bag, 10M/1PCS/Bag
- Small package (200x150x100), Medium (330x250x150), Large (400x300x230) mm

Type No.	ID No.	Length	Angle	Coding	Current	Voltage	Wire gauge	Pinout	Wire colors
SWAF4-2/PN27	10080519	2M	Right angle	A-CODE	1.5A	48V	2x2x0.14 (2x2x26AWG) Yellow-green PUR,shielded, drag chain, OD=4.8 No.: 19810013		1 = OR/WH (+tx) 2 = BU/WH(+rx) 3 = BU(-rx) 4 = OR(-tx)
SWAF4-5/PN27	10080520	5M							
SWAF4-10/PN27	10080521	10M							

* Standard cable lengths are 2/5/10M, Consult factory for other lengths *, EtherCAT, Cat5e

M8 M12 7/8" M16 M23 E-Net & P-Net Profibus-DP DeviceNet CC-LINK 分支器&分线盒 阀式连接器

M8 A-code Male, Pre-moulding connector, Anti-vibration, EtherCAT



Technical data

- Plug body: TPU/Yellow
- Coupling nut: Zinc/Nickel-plated
- Contact carrier: TPU+GF/Black
- Pin: Brass/Gold-plated
- O-ring: FPM/FKM
- Insulation resistance: $\geq 100M\Omega$
- Forward resistance: $\leq 5m\Omega$
- Degree of pollution: 3
- Ambient temperature: $-25\sim +85^{\circ}C$
- Degree of protection: IP67
- Plug: M8x1
- Coding: A-CODE
- Insertion/withdrawal cycles: ≥ 100
- Standards: IEC 61076-2-104
- Torque: 0.2 Nm (M8 Plug connector)
- Cable: Refer to cable specification for detailed data

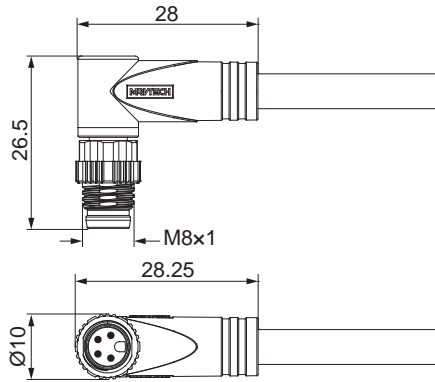
Key Commercial Data

- Weight: 4Pin/8g(excluding cable)
- Packing unit: 2M/10PCS/Bag, 5M/5PCS/Bag, 10M/1PCS/Bag
Small package (200×150×100), Medium (330×250×150), Large (400×300×230) mm

Type No.	ID No.	Length	Angle	Coding	Current	Voltage	Wire gauge	Pinout	Wire colors
SAM4-2/PN27	10080522	2M	Straight	A-CODE	1.5A	48V	2×2×0.14 (2×2×26AWG) Yellow-green PUR,shielded, drag chain, OD=4.8 No.: 19810013		1 = OR/WH (+tx) 2 = BU/WH(+rx) 3 = BU(-rx) 4 = OR(-tx)
SAM4-5/PN27	10080523	5M							
SAM4-10/PN27	10080524	10M							

* Standard cable lengths are 2/5/10M, Consult factory for other lengths *, EtherCAT, Cat5e

M8 A-code Right angle Male, Pre-moulding connector, Anti-vibration, EtherCAT



Technical data

- Plug body: TPU/Yellow
- Coupling nut: Zinc/Nickel-plated
- Contact carrier: TPU+GF/Black
- Pin: Brass/Gold-plated
- O-ring: FPM/FKM
- Insulation resistance: $\geq 100M\Omega$
- Forward resistance: $\leq 5m\Omega$
- Degree of pollution: 3
- Ambient temperature: $-25\sim +85^{\circ}C$
- Degree of protection: IP67
- Plug: M8x1
- Coding: A-CODE
- Insertion/withdrawal cycles: ≥ 100
- Standards: IEC 61076-2-104
- Torque: 0.2 Nm (M8 Plug connector)
- Cable: Refer to cable specification for detailed data

Key Commercial Data

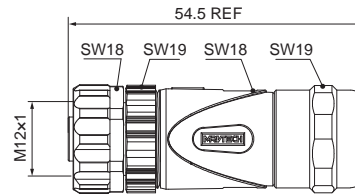
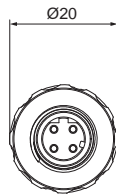
- Weight: 4Pin/11.3g(excluding cable)
- Packing unit: 2M/10PCS/Bag, 5M/5PCS/Bag, 10M/1PCS/Bag
Small package (200×150×100) , Medium (330×250×150) , Large (400×300×230) mm

Type No.	ID No.	Length	Angle	Coding	Current	Voltage	Wire gauge	Pinout	Wire colors
SWAM4-2/PN27	10080525	2M	Right angle	A-CODE	1.5A	48V	2×2×0.14 (2×2×26AWG) Yellow-green PUR,shielded, drag chain, OD=4.8 No.: 19810013		1 = OR/WH (+tx) 2 = BU/WH(+rx) 3 = BU(-rx) 4 = OR(-tx)
SWAM4-5/PN27	10080526	5M							
SWAM4-10/PN27	10080527	10M							

* Standard cable lengths are 2/5/10M, Consult factory for other lengths *, EtherCAT, Cat5e

M8 M12 7/8" M16 M23 E-Net & P-Net Profibus-DP DeviceNet CC-LINK 分支器&分线盒 阀式连接器

M12 Female, Field wirable connector, Metal housing



Technical data

- Housing material: Zinc/Nickel-plated
- Coupling nut: Zinc/Nickel-plated
- Contact carrier: Nylon/Black
- Pin: Brass/Gold-plated
- O-ring: FPM/FKM
- Insulation resistance: $\geq 100M\Omega$
- Forward resistance: $\leq 5m\Omega$
- Degree of pollution: 3
- Ambient temperature: $-25\sim+85^{\circ}C$
- Degree of protection: IP67
- Plug: M12x1
- Coding: D-CODE
- Insertion/withdrawal cycles: ≥ 100
- Standards: IEC 61076-2-101
- Connection: Screw connection

Key Commercial Data

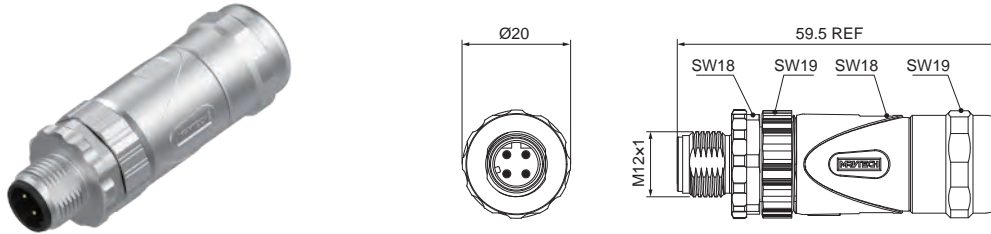
- Weight: 4Pin/80g
- Packing unit: 1PCS/Bag
Small package (200x150x100) , Medium (330x250x150) , Large (400x300x230) mm

Type No.	ID No.	Connection	Coding	Current	Voltage	Wire gauge	Pinout
EDF428-8	11120050	Screw connection	D-CODE	4A	250V	0.25~0.75 mm ² (without ferrule) 0.14~0.75 mm ² (with ferrule) Accept cable diameter: 4~6mm (Black O-ring) 6~8mm (Gray O-ring)	

* M12 D-code Field wirable connector, Female, Metal housing *

M12 D-code field wirable connector 4pins

M12 Male, Field wirable connector, Metal housing



Technical data

- Housing material: Zinc/Nickel-plated
- Coupling nut: Zinc/Nickel-plated
- Contact carrier: Nylon/Black
- Pin: Brass/Gold-plated
- O-ring: FPM/FKM
- Insulation resistance: $\geq 100M\Omega$
- Forward resistance: $\leq 5m\Omega$
- Degree of pollution: 3
- Ambient temperature: $-25\sim+85^{\circ}C$
- Degree of protection: IP67
- Plug: M12x1
- Coding: D-CODE
- Insertion/withdrawal cycles: ≥ 100
- Standards: IEC 61076-2-101
- Connection: Screw connection

Key Commercial Data

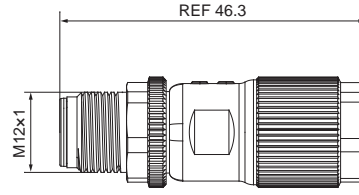
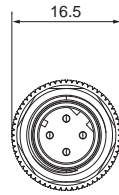
- Weight: 85g
- Packing unit: 1PCS/Bag
Small package (200x150x100) , Medium (330x250x150) , Large (400x300x230) mm

Type No.	ID No.	Connection	Coding	Current	Voltage	Wire gauge	Pinout
EDM428-8	11120051	Screw connection	D-CODE	4A	250V	0.25~0.75 mm ² (without ferrule) 0.14~0.75 mm ² (with ferrule) Accept cable diameter: 4~6mm (Black O-ring) 6~8mm (Gray O-ring)	

* M12 D-code Field wirable connector, Male, Metal housing *

M8 M12 7/8" M16 M23 E-Net & P-Net 分支器&分线盒 电磁阀 Profibus-DP DeviceNet CC-LINK

M12 Male, Field wirable connector, Crimp connection, EtherNet, Cat5e (100MBit/s) rail transit dedicated connector



Technical data

- Housing material: Zinc/Nickel-plated
- Contact carrier: Nylon/Black
- Pin: Brass/Gold-plated
- O-ring: FPM/FKM
- Connection: Crimp connection
- Insulation resistance: $\geq 100M\Omega$
- Forward resistance: $\leq 5m\Omega$
- Degree of pollution: 3
- Ambient temperature: $-25\sim +85^{\circ}C$
- Degree of protection: IP67
- Plug: M12x1
- Coding: D-CODE
- Insertion/withdrawal cycles: ≥ 100
- Standards: IEC 61076-2-101
- Communication category: EtherNet (Cat5e,100MBit/s)

Standard

- EU technical specifications: DIN EN 45545-2 HL1-3 (Fire performance)
- French Standard: NF F 16-101/102 Category A1,A2,B (Fire performance)
- British Standard: DIN EN 50155 (Mechanical stress, vibration, shock)
- German standard: DIN EN 5510 Fire rating 1-4 (Fire performance)

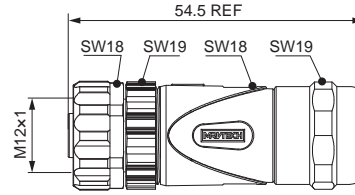
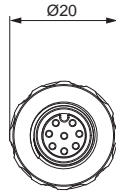
Key Commercial Data

- Packing unit: 1PCS/Bag
Small package (200x150x100) , Medium (330x250x150) , Large (400x300x230) mm

Type No.	ID No.	Connection	Coding	Current	Voltage	Wire gauge	Pinout
EDM428-8.8/C	11120098	Crimp connection	D-CODE	4A	60V	0.25~0.5 mm ² (24~20 AWG) Accept cable diameter: 5.7~8.8mm	

* M12 D-code Field wirable connector, Male, Metal housing * Suitable for all Class D (ECN), Ethernet applications according to IEEE802.3, especially suitable for the rolling stock market

M12 Female, Field wirable connector, Metal housing



Technical data

- Housing material: Zinc/Nickel-plated
- Coupling nut: Zinc/Nickel-plated
- Contact carrier: Nylon/Black
- Pin: Brass/Gold-plated
- O-ring: FPM/FKM
- Insulation resistance: $\geq 100M\Omega$
- Forward resistance: $\leq 5m\Omega$
- Degree of pollution: 3
- Ambient temperature: $-25\sim +85^{\circ}C$
- Degree of protection: IP67
- Plug: M12x1
- Coding: A-CODE
- Insertion/withdrawal cycles: ≥ 100
- Standards: IEC 61076-2-101
- Connection: Screw connection

Key Commercial Data

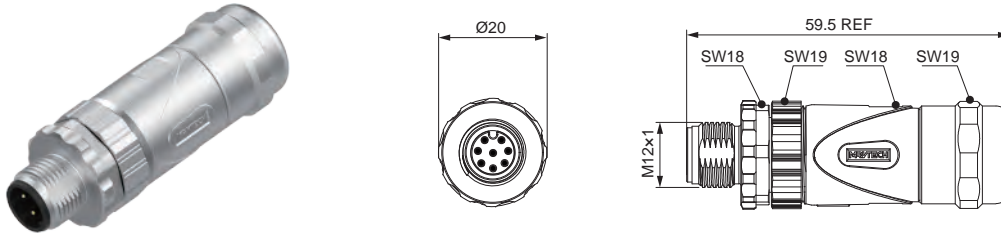
- Weight: 8Pin/84g
- Packing unit: 1PCS/Bag
Small package (200x150x100) , Medium (330x250x150) , Large (400x300x230) mm

Type No.	ID No.	Connection	Coding	Current	Voltage	Wire gauge	Pinout
EAF828-8	11120026	Screw connection	A-CODE	2A	60V	0.25~0.5 mm ² (without ferrule) 0.14~0.5 mm ² (with ferrule) Accept cable diameter: 4~6mm (Black O-ring) 6~8mm (Gray O-ring)	

* M12 Field wirable connector, Female, Metal housing *

M8
M12
7/8"
M16
M23
E-Net & P-Net 分支器&分线盒 阀式连接器
Profibus-DP
DeviceNet
CC-LINK

M12 Male, Field wirable connector, Metal housing



Technical data

- Housing material: Zinc/Nickel-plated
- Coupling nut: Zinc/Nickel-plated
- Contact carrier: Nylon/Black
- Pin: Brass/Gold-plated
- O-ring: FPM/FKM
- Insulation resistance: $\geq 100M\Omega$
- Forward resistance: $\leq 5m\Omega$
- Degree of pollution: 3
- Ambient temperature: $-25\sim+85^{\circ}C$
- Degree of protection: IP67
- Plug: M12x1
- Coding: A-CODE
- Insertion/withdrawal cycles: ≥ 100
- Standards: IEC 61076-2-101
- Connection: Screw connection

Key Commercial Data

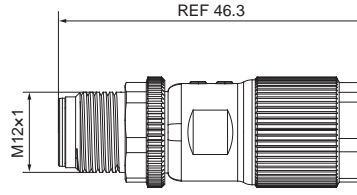
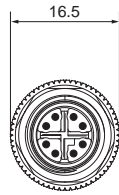
- Weight: 8Pin/84g
- Packing unit: 1PCS/Bag
Small package (200x150x100) , Medium (330x250x150) , Large (400x300x230) mm

Type No.	ID No.	Connection	Coding	Current	Voltage	Wire gauge	Pinout
EAM828-8	11120032	Screw connection	A-CODE	2A	60V	0.25~0.5 mm ² (without ferrule) 0.14~0.5 mm ² (with ferrule) Accept cable diameter: 4~6mm (Black O-ring) 6~8mm (Gray O-ring)	

* M12 Field wirable connector, Male, Metal housing *

M12 X-code field wirable connector 8pins

M12 Male, Field wirable connector, Crimp connection, EtherNet, Cat7 (10Gbit/s) rail transit dedicated connector



Technical data

- Housing material: Zinc/Nickel-plated
- Contact carrier: Nylon/Black
- Pin: Brass/Gold-plated
- O-ring: FPM/FKM
- Connection: Crimp connection
- Insulation resistance: $\geq 100M\Omega$
- Forward resistance: $\leq 5m\Omega$
- Degree of pollution: 3
- Ambient temperature: $-25\sim +85^{\circ}C$
- Degree of protection: IP67
- Plug: M12x1
- Coding: X-CODE
- Insertion/withdrawal cycles: ≥ 100
- Standards: IEC 61076-2-101
- Communication category: EtherNet (Cat7,10Gbit/s)

Standard

- EU technical specifications: DIN EN 45545-2 HL1-3 (Fire performance)
- French Standard: NF F 16-101/102 Category A1,A2,B (Fire performance)
- British Standard: DIN EN 50155 (Mechanical stress, vibration, shock)
- German standard: DIN EN 5510 Fire rating 1-4 (Fire performance)

Key Commercial Data

- Packing unit: 1PCS/Bag
Small package (200x150x100) , Medium (330x250x150) , Large (400x300x230) mm

Type No.	ID No.	Connection	Coding	Current	Voltage	Wire gauge	Pinout
EXM828-10/C	11120110	Crimp connection	X-CODE	0.5A	60V	0.14~0.34 mm ² (26~22 AWG) Accept cable diameter: 6.5~10mm	

* M12 X-code Field wirable connector, Male, Metal housing * Suitable for all Class D (ECN), Ethernet applications according to IEEE802.3, especially suitable for the rolling stock market

M8

M12

7/8"

M16

M23

分支器&分线盒
阀式连接器

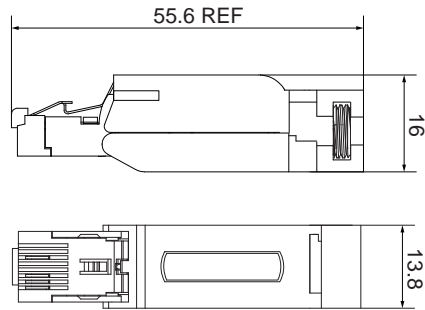
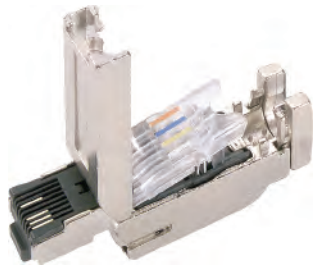
E-Net & P-Net

Profibus-DP

DeviceNet

CC-LINK

RJ45 4pins Straight, Field wirable connector, Metal housing



Technical data

- Housing material: Zinc/Nickel-plated
- Coupling nut: Zinc/Nickel-plated
- Contact carrier: Nylon/Black
- Pin: Brass/Gold-plated
- Pins: 4 Pins
- Cabling Standard: Cat5
- Transmission rate: ≥ 10/100 Mbit/s
- POE/POE+Capability: Support
- Ambient temperature: -25~+85°C
- Degree of protection: IP20
- Plug: RJ45
- Reuse times: ≥10
- Connection: Pierced connection

Key Commercial Data

- Weight: 4Pin/24.6g
- Packing unit: 1PCS/Bag
Small package (200×150×100) , Medium (330×250×150) , Large (400×300×230) mm

Type No.	ID No.	Connection	Coding	Current	Voltage	Wire gauge	Pinout
RJ45S/H	11450000	Pierced connection	RJ45	1.5A	45V	0.14~0.34 mm ² 26~22 AWG Accept cable diameter: Maximum 6.5mm	 1 2 3 6

* RJ45 4 Pin Field wirable connector, Metal housing *

RJ45 field wirable connector 4pins

RJ45 4pins 45 degree Outlet, Field wirable connector, Metal housing

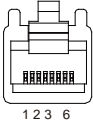


Technical data

- Housing material: Zinc/Nickel-plated
- Coupling nut: Zinc/Nickel-plated
- Contact carrier: Nylon/Black
- Pin: Brass/Gold-plated
- Pins: 4 Pins
- Cabling Standard: Cat5
- Transmission rate: ≥ 10/100 Mbit/s
- POE/POE+Capability: Support
- Ambient temperature: -25~+85°C
- Degree of protection: IP20
- Plug: RJ45
- Reuse times: ≥10
- Connection: Pierced connection

Key Commercial Data

- Weight: 4Pin/24.6g
- Packing unit: 1PCS/Bag
Small package (200×150×100) , Medium (330×250×150) , Large (400×300×230) mm

Type No.	ID No.	Connection	Coding	Current	Voltage	Wire gauge	Pinout
RJ45S/H-45	11450001	Pierced connection	RJ45	1.5A	45V	0.14~0.34 mm ² 26~22 AWG Accept cable diameter: Maximum 6.5mm	

* RJ45 4 Pin Field wirable connector, Metal housing *

M8

M12

7/8"

M16

M23

阀式连接器

分支器 & 分线盒

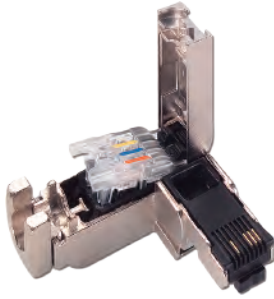
E-Net & P-Net

Profibus-DP

DeviceNet

CC-LINK

RJ45 4pins Right angle, Field wirable connector, Metal housing

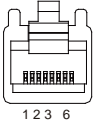


Technical data

- Housing material: Zinc/Nickel-plated
- Coupling nut: Zinc/Nickel-plated
- Contact carrier: Nylon/Black
- Pin: Brass/Gold-plated
- Pins: 4 Pins
- Cabling Standard: Cat5
- Transmission rate: ≥ 10/100 Mbit/s
- POE/POE+Capability: Support
- Ambient temperature: -25~+85°C
- Degree of protection: IP20
- Plug: RJ45
- Reuse times: ≥10
- Connection: Pierced connection

Key Commercial Data

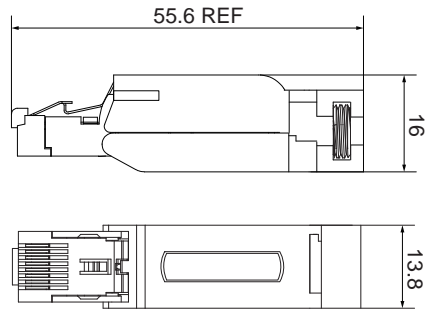
- Weight: 4Pin/24.6g
- Packing unit: 1PCS/Bag
Small package (200×150×100) , Medium (330×250×150) , Large (400×300×230) mm

Type No.	ID No.	Connection	Coding	Current	Voltage	Wire gauge	Pinout
RJ45S/H-90	11450002	Pierced connection	RJ45	1.5A	45V	0.14~0.34 mm ² 26~22 AWG Accept cable diameter: Maximum 6.5mm	

* RJ45 4 Pin Field wirable connector, Metal housing *

RJ45 field wirable connector 8pins

RJ45 8pins Straight, Field wirable connector, Metal housing

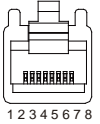


Technical data

- Housing material: Zinc/Nickel-plated
- Coupling nut: Zinc/Nickel-plated
- Contact carrier: Nylon/Black
- Pin: Brass/Gold-plated
- Pins: 8 Pins
- Cabling Standard: Cat5e
- Transmission rate: 10/100 /1000 Mbit/s
- POE/POE+Capability: Support
- Ambient temperature: -25~+85°C
- Degree of protection: IP20
- Plug: RJ45
- Reuse times: ≥10
- Connection: Pierced connection

Key Commercial Data

- Weight: 8Pin/26g
- Packing unit: 1PCS/Bag
Small package (200×150×100) , Medium (330×250×150) , Large (400×300×230) mm

Type No.	ID No.	Connection	Coding	Current	Voltage	Wire gauge	Pinout
RJ45S/EH	11450003	Pierced connection	RJ45	1.5A	45V	0.14~0.25 mm ² 26~24 AWG Accept cable diameter: Maximum 6.5mm	

* RJ45 8 Pin Field wirable connector, Metal housing *

M8

M12

7/8"

M16

M23

阀式连接器

分支器&分线盒

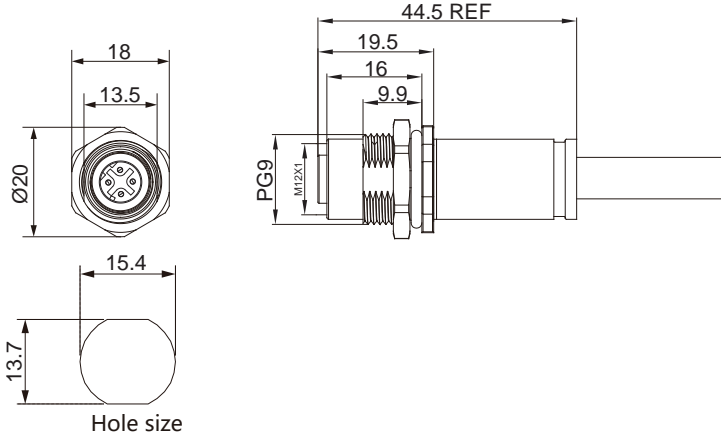
E-Net & P-Net

Profibus-DP

DeviceNet

CC-LINK

M12 receptacle D-code Female, Rear mounting, Pre-moulding, Ethernet/IP



Technical data

- Plug body: TPU/Black
- Coupling nut: Zinc/Nickel-plated
- Contact carrier: TPU+GF/Black
- Pin: Brass/Gold-plated
- O-ring: FPM/FKM
- Insulation resistance: $\geq 100M\Omega$
- Forward resistance: $\leq 5m\Omega$
- Degree of pollution: 3
- Ambient temperature: $-25\sim +85^{\circ}C$
- Degree of protection: IP67
- Plug: M12×1
- Coding: D-CODE
- Insertion/withdrawal cycles: ≥ 100
- Standards: IEC 61076-2-101
- Torque: 3~4 Nm (mounting side)
- Cable: Refer to cable specification for detailed data

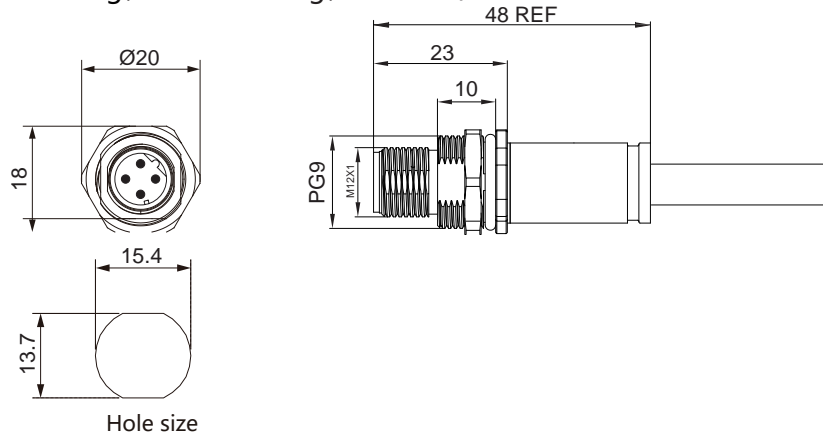
Key Commercial Data

- Weight: 4Pin/10g (excluding cable)
- Packing unit: 2M/10PCS/Bag, 5M/5PCS/Bag, 10M/1PCS/Bag
Small package (200×150×100), Medium (330×250×150), Large (400×300×230) mm

Type No.	ID No.	Length	Coding	Current	Voltage	Wire gauge	Pinout	Wire colors
FEDF4R-2/EN41	12120135	2M	D-CODE	2A	60V	2×2×0.25 (2×2×24AWG) Teal PVC, shielded, OD=5.6 No.: 19810002		1 = WH/OR(+tx) 2 = WH/GN(+rx) 3 = OR(-tx) 4 = GN(-rx)
FEDF4R-5/EN41	12120136	5M						
FEDF4R-10/EN41	12120137	10M						
FEDF4R-2/EN45	12120138	2M	D-CODE	1.5A	48V	2×2×0.14 (2×2×26AWG) Teal PUR, shielded, drag chain, OD=6.2 No.: 19810003		1 = WH/OR(+tx) 2 = WH/GN(+rx) 3 = OR(-tx) 4 = GN(-rx)
FEDF4R-5/EN45	12120139	5M						
FEDF4R-10/EN45	12120140	10M						

* Standard cable lengths are 2/5/10M, Consult factory for other lengths *, EthetNet/IP, Cat5E

M12 receptacle D-code Male, Rear mounting, Pre-moulding, Ethernet/IP



Technical data

- Plug body: TPU/Black
- Coupling nut: Zinc/Nickel-plated
- Contact carrier: TPU+GF/Black
- Pin: Brass/Gold-plated
- O-ring: FPM/FKM
- Insulation resistance: $\geq 100M\Omega$
- Forward resistance: $\leq 5m\Omega$
- Degree of pollution: 3
- Ambient temperature: $-25\sim +85^{\circ}C$
- Degree of protection: IP67
- Plug: M12×1
- Coding: D-CODE
- Insertion/withdrawal cycles: ≥ 100
- Standards: IEC 61076-2-101
- Torque: 3~4 Nm (mounting side)
- Cable: Refer to cable specification for detailed data

Key Commercial Data

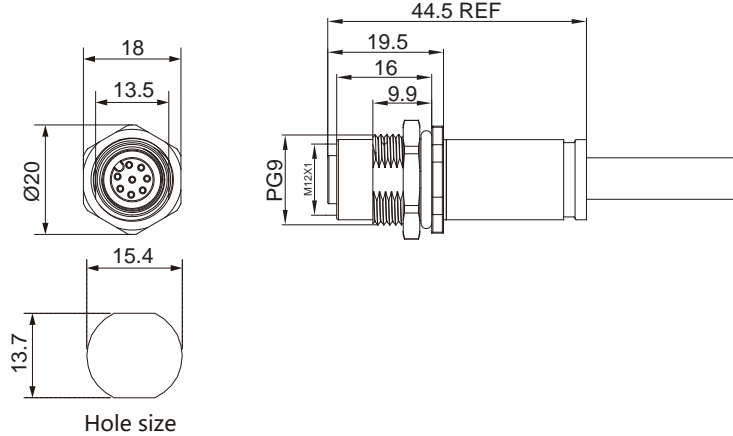
- Weight: 4Pin/10g (excluding cable)
- Packing unit: 2M/10PCS/Bag, 5M/5PCS/Bag, 10M/1PCS/Bag
Small package (200×150×100), Medium (330×250×150), Large (400×300×230) mm

Type No.	ID No.	Length	Coding	Current	Voltage	Wire gauge	Pinout	Wire colors
FEDM4R-2/EN41	12120141	2M	D-CODE	2A	60V	2×2×0.25 (2×2×24AWG) Teal PVC, shielded, OD=5.6 No.: 19810002		1 = WH/OR(+tx) 2 = WH/GN(+rx) 3 = OR(-tx) 4 = GN(-rx)
FEDM4R-5/EN41	12120142	5M						
FEDM4R-10/EN41	12120143	10M						
FEDM4R-2/EN45	12120144	2M	D-CODE	1.5A	48V	2×2×0.14 (2×2×26AWG) Teal PUR, shielded, drag chain, OD=6.2 No.: 19810003		1 = WH/OR(+tx) 2 = WH/GN(+rx) 3 = OR(-tx) 4 = GN(-rx)
FEDM4R-5/EN45	12120145	5M						
FEDM4R-10/EN45	12120146	10M						

* Standard cable lengths are 2/5/10M, Consult factory for other lengths *, EthetNet/IP, Cat5E

M8
M12
7/8"
M16
M23
E-Net & P-Net 分支器 & 分线盒 阀式连接器
Profibus-DP
DeviceNet
CC-LINK

M12 receptacle A-code Female, Rear mounting, Pre-moulding, Ethernet/IP



Technical data

- Plug body: TPU/Black
- Coupling nut: Zinc/Nickel-plated
- Contact carrier: TPU+GF/Black
- Pin: Brass/Gold-plated
- O-ring: FPM/FKM
- Insulation resistance: $\geq 100M\Omega$
- Forward resistance: $\leq 5m\Omega$
- Degree of pollution: 3
- Ambient temperature: $-25\sim +85^{\circ}C$
- Degree of protection: IP67
- Plug: M12×1
- Coding: A-CODE
- Insertion/withdrawal cycles: ≥ 100
- Standards: IEC 61076-2-101
- Torque: 3~4 Nm (mounting side)
- Cable: Refer to cable specification for detailed data

Key Commercial Data

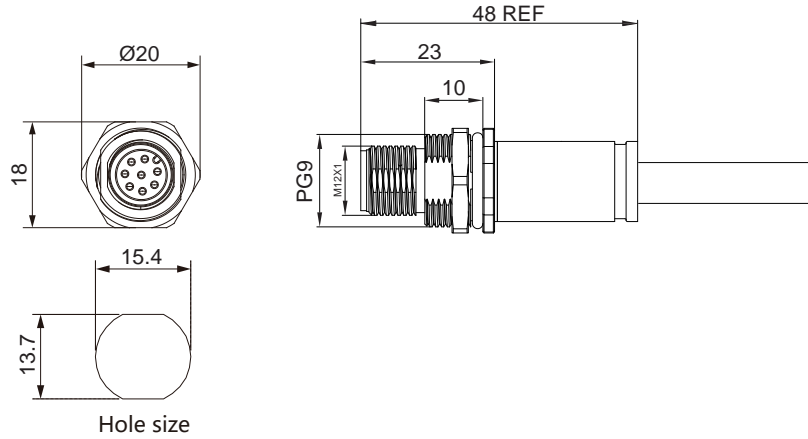
- Weight: 8Pin/15.5g (excluding cable)
- Packing unit: 2M/10PCS/Bag, 5M/5PCS/Bag, 10M/1PCS/Bag
- Small package (200×150×100), Medium (330×250×150), Large (400×300×230) mm

Type No.	ID No.	Length	Coding	Current	Voltage	Wire gauge	Pinout	Wire colors
FEAF8R-2/EN51	12120147	2M	A-CODE	1.5A	60V	4×2×0.14 (4×2×26AWG) Teal PVC, shielded, OD=6.2 No.: 19810004		1 = WH/BU 2 = WH/BN 3 = BN 4 = OR 5 = WH/GN 6 = WH/OR 7 = BU 8 = GN
FEAF8R-5/EN51	12120148	5M						
FEAF8R-10/EN51	12120149	10M						
FEAF8R-2/EN55	12120150	2M	A-CODE	1.5A	60V	4×2×0.14 (4×2×26AWG) Teal PVC, shielded, drag chain, OD=6.9 No.: 19810005		1 = WH/BU 2 = WH/BN 3 = BN 4 = OR 5 = WH/GN 6 = WH/OR 7 = BU 8 = GN
FEAF8R-5/EN55	12120151	5M						
FEAF8R-10/EN55	12120152	10M						

* Standard cable lengths are 2/5/10M, Consult factory for other lengths *, EthetNet/IP, Cat5E

M12 receptacle A-code Ethernet pre-moulding 8pins

M12 receptacle A-code Male, Rear mounting, Pre-moulding, Ethernet/IP



Technical data

- Plug body: TPU/Black
- Coupling nut: Zinc/Nickel-plated
- Contact carrier: TPU+GF/Black
- Pin: Brass/Gold-plated
- O-ring: FPM/FKM
- Insulation resistance: $\geq 100M\Omega$
- Forward resistance: $\leq 5m\Omega$
- Degree of pollution: 3
- Ambient temperature: $-25\sim +85^{\circ}C$
- Degree of protection: IP67
- Plug: M12x1
- Coding: A-CODE
- Insertion/withdrawal cycles: ≥ 100
- Standards: IEC 61076-2-101
- Torque: 3~4 Nm (mounting side)
- Cable: Refer to cable specification for detailed data

Key Commercial Data

- Weight: 8Pin/15.5g (excluding cable)
- Packing unit: 2M/10PCS/Bag, 5M/5PCS/Bag, 10M/1PCS/Bag
- Small package (200x150x100), Medium (330x250x150), Large (400x300x230) mm

Type No.	ID No.	Length	Coding	Current	Voltage	Wire gauge	Pinout	Wire colors
FEAM8R-2/EN51	12120153	2M	A-CODE	1.5A	60V	4x2x0.14 (4x2x26AWG) Teal PVC, shielded, OD=6.2 No.: 19810004		1 = WH/BU 2 = WH/BN 3 = BN 4 = OR 5 = WH/GN 6 = WH/OR 7 = BU 8 = GN
FEAM8R-5/EN51	12120154	5M						
FEAM8R-10/EN51	12120155	10M						
FEAM8R-2/EN55	12120156	2M	A-CODE	1.5A	60V	4x2x0.14 (4x2x26AWG) Teal PVC, shielded, drag chain, OD=6.9 No.: 19810005		1 = WH/BU 2 = WH/BN 3 = BN 4 = OR 5 = WH/GN 6 = WH/OR 7 = BU 8 = GN
FEAM8R-5/EN55	12120157	5M						
FEAM8R-10/EN55	12120158	10M						

* Standard cable lengths are 2/5/10M, Consult factory for other lengths *, EthetNet/IP, Cat5E

M8

M12

7/8"

M16

M23

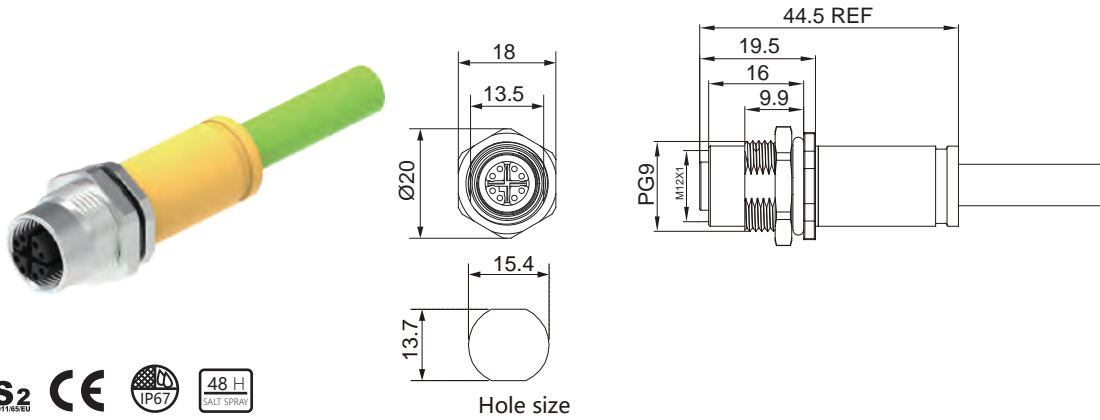
E-Net & P-Net 分支器 & 分线盒 阀式连接器

Profibus-DP

DeviceNet

CC-LINK

M12 receptacle X-code Female, Rear mounting, Pre-moulding, Ethernet/IP



Technical data

- Encapsulating material: TPU/Yellow
- Insulation resistance: $\geq 100M\Omega$
- Plug: M12×1
- Housing material: Zinc/Nickel-plated
- Forward resistance: $\leq 5m\Omega$
- Coding: X-CODE
- Contact carrier: TPU+GF/Black
- Degree of pollution: 3
- Insertion/withdrawal cycles: ≥ 100
- Pin: Brass/Gold-plated
- Ambient temperature: $-25\sim +85^{\circ}C$
- Standards: IEC 61076-2-101
- O-ring: FPM/FKM
- Degree of protection: IP67
- Torque: 3~4 Nm (mounting side)
- Communication category: Cat6
- Communication rate: 1000MBit/s
- Cable: Refer to cable specification for detailed data

Key Commercial Data

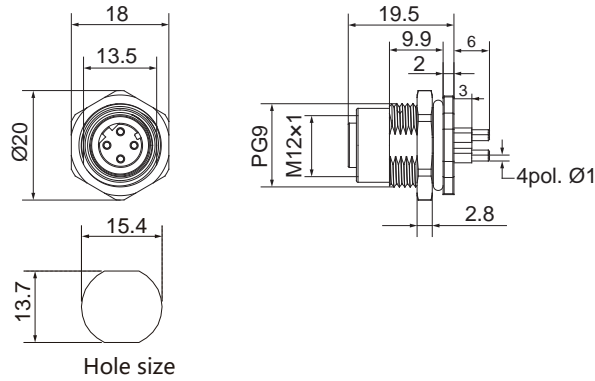
- Packing unit: 2M/10PCS/Bag, 5M/5PCS/Bag, 10M/1PCS/Bag
- Small package (200×150×100), Medium (330×250×150), Large (400×300×230) mm

Type No.	ID No.	Length	Coding	Current	Voltage	Wire gauge	Pinout	Wire colors
FEXF8R-2/EN61	12120272	2M	X-CODE	0.5A	60V	4×2×0.25 (4×2×24AWG) Teal PVC, shielded, OD=8.0 No.: 19810006		1 = WH/OR
FEXF8R-5/EN61	12120273	5M						2 = OR
FEXF8R-10/EN61	12120274	10M						3 = WH/GN
FEXF8R-2/EN61	12120275	2M	X-CODE	0.5A	60V		4 = GN	
FEXF8R-5/EN61	12120276	5M					5 = WH/BN	
FEXF8R-10/EN61	12120277	10M					6 = BN	
								7 = WH/BU
								8 = BU

* Standard cable lengths are 2/5/10M, Consult factory for other lengths *, EthetNet/IP, Cat6

M12 D-code receptacle connector 4pins

M12 Female, Receptacle connector, Rear mounting, PCB pins one-piece, EtherNet, Cat5e (100MBit/s)



Technical data

- Housing material: Zinc/Nickel-plated
- Coupling nut: Zinc/Nickel-plated
- Contact carrier: Nylon/Black
- Pin: Brass/Gold-plated
- O-ring: FPM/FKM
- Communication category: Cat5e
- Insulation resistance: $\geq 100M\Omega$
- Forward resistance: $\leq 5m\Omega$
- Degree of pollution: 3
- Ambient temperature: $-25\sim +85^{\circ}C$
- Degree of protection: IP67
- Communication rate: 100MBit/s
- Plug: M12x1
- Coding: D-CODE
- Insertion/withdrawal cycles: ≥ 100
- Standards: IEC 61076-2-101
- Torque: 3~4 Nm (mounting side)
- Connection mode: PCB pins one-piece (rear mounting)

Standards

- EU technical specifications: DIN EN 45545-2 HL1-3 (Fire performance)
- French Standard: NF F 16-101/102 Category A1,A2,B (Fire performance)
- British Standard: DIN EN 50155 (Mechanical stress, vibration, shock)
- German standard: DIN EN 5510 Fire rating 1-4 (Fire performance)

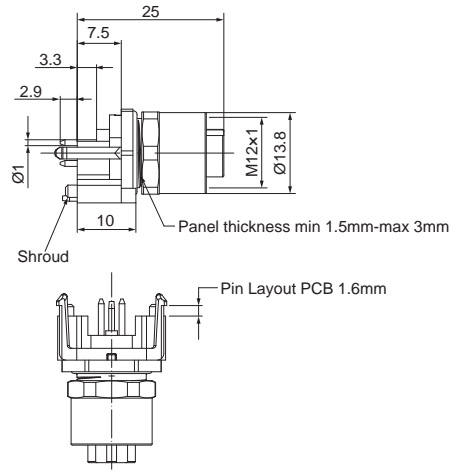
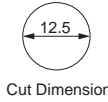
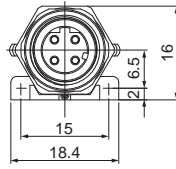
Key Commercial Data

- Packing unit: 1PCS/Bag
- Small package (200x150x100) , Medium (330x250x150) , Large (400x300x230) mm

Type No.	ID No.	Mode	Coding	Current	Voltage	Wire gauge	Pinout															
FEDF4R-P	12120111	PCB pins one-piece	D-CODE	4A	250V		<table border="1"> <thead> <tr> <th></th> <th>X</th> <th>Y</th> </tr> </thead> <tbody> <tr> <td>1</td> <td>-2.50</td> <td>0.00</td> </tr> <tr> <td>2</td> <td>0.00</td> <td>2.50</td> </tr> <tr> <td>3</td> <td>2.50</td> <td>0.00</td> </tr> <tr> <td>4</td> <td>0.00</td> <td>-2.50</td> </tr> </tbody> </table>		X	Y	1	-2.50	0.00	2	0.00	2.50	3	2.50	0.00	4	0.00	-2.50
	X	Y																				
1	-2.50	0.00																				
2	0.00	2.50																				
3	2.50	0.00																				
4	0.00	-2.50																				

* M12 rear mount receptacle connector , PCB pins one-piece * especially suitable for the rolling stock market

M12 Female, Receptacle connector, Rear mounting with card holder, PCB pins one-piece, shielded



Technical data

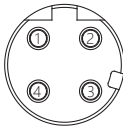
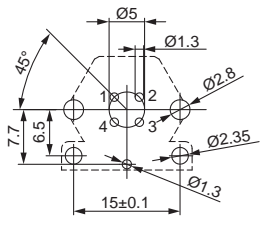
- Housing material: Zinc/Nickel-plated
- Contact carrier: PA+GF/Black
- Pin: Brass/Gold-plated
- O-ring: FPM/FKM
- Ambient temperature: -25~+85°C
- Insulation resistance: $\geq 100M\Omega$
- Forward resistance: $\leq 5m\Omega$
- Degree of pollution: 3
- Degree of protection: IP67
- Torque: 3~4 Nm (mounting side)
- Plug: M12x1
- Coding: D-CODE
- Insertion/withdrawal cycles: ≥ 100
- Standards: IEC 61076-2-101
- Communication category: Cat5e,100MBit/s

Standards

- EU technical specifications: DIN EN 45545-2 HL1-3 (Fire performance)
- French Standard: NF F 16-101/102 Category A1,A2,B (Fire performance)
- British Standard: DIN EN 50155 (Mechanical stress, vibration, shock)
- German standard: DIN EN 5510 Fire rating 1-4 (Fire performance)

Key Commercial Data

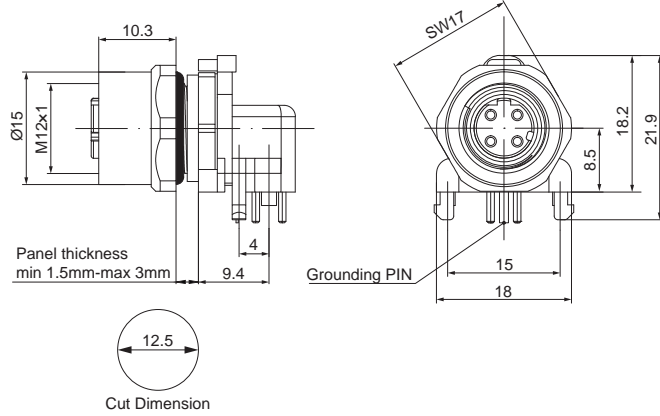
- Packing unit: 1PCS/Bag
Small package (200×150×100) , Medium (330×250×150) , Large (400×300×230) mm

Type No.	ID No.	Mode	Coding	Current	Voltage	Wire gauge	Pinout
FEDF4R-PTS/M12	12120108	PCB pins with shield contact one-piece	D-CODE	4A	250V		

* M12 rear mounting receptacle, PCB pins one-piece, shielded * Complies with EN45545-2, suitable for all Class D (ECN), Ethernet applications according to IEEE802.3, especially suitable for rolling stock market

M12 D-code receptacle connector 4pins

M12 Female, Receptacle connector, Rear mounting with deck, PCB pins Angled shielded wave soldering two-piece, shielded



Technical data

- Housing material: Zinc/Nickel-plated
- Insulation resistance: $\geq 100M\Omega$
- Plug: M12×1
- Contact carrier: PA+GF/Black
- Forward resistance: $\leq 5m\Omega$
- Coding: D-CODE
- Pin: Brass/Gold-plated
- Degree of pollution: 3
- Insertion/withdrawal cycles: ≥ 100
- O-ring: FPM/FKM
- Degree of protection: IP67
- Standards: IEC 61076-2-101
- Ambient temperature: $-25\sim +85^{\circ}C$
- Torque: 3~4 Nm (mounting side)
- Communication category: Cat5e,100MBit/s

Standards

- EU technical specifications: DIN EN 45545-2 HL1-3 (Fire performance)
- British Standard: DIN EN 50155 (Mechanical stress, vibration, shock)
- French Standard: NF F 16-101/102 Category A1,A2,B (Fire performance)
- German standard: DIN EN 5510 Fire rating 1-4 (Fire performance)

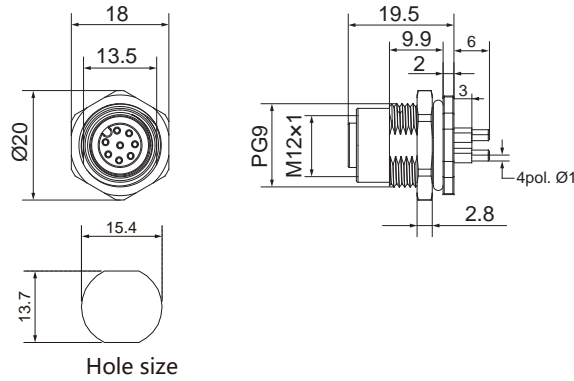
Key Commercial Data

- Packing unit: 1PCS/Bag
Small package (200×150×100) , Medium (330×250×150) , Large (400×300×230) mm

Type No.	ID No.	Mode	Coding	Current	Voltage	Wire gauge	Pinout
FEDF4R-PWS/M12	12120220	PCB pins Angled shielded wave soldering two-piece	D-CODE	4A	250V		

* M12 rear mounting receptacle, PCB pins Angled shielded wave soldering two-piece, shielded * Complies with EN45545-2, suitable for all Class D (ECN), Ethernet applications in accordance with IEEE802.3, especially suitable for rolling stock market

M12 female, Receptacle connector, Rear mounting, PCB pins one-piece, EtherNet, Cat5e (1000MBit/s), rail transit dedicated connector



Technical data

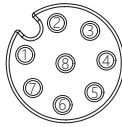
- Housing material: Zinc/Nickel-plated
- Coupling nut: Zinc/Nickel-plated
- Contact carrier: Nylon/Black
- Pin: Brass/Gold-plated
- O-ring: FPM/FKM
- Communication category: Cat5e
- Insulation resistance: $\geq 100M\Omega$
- Forward resistance: $\leq 5m\Omega$
- Degree of pollution: 3
- Ambient temperature: $-25\sim +85^{\circ}C$
- Degree of protection: IP67
- Communication rate: 100MBit/s
- Plug: M12 \times 1
- Coding: A-CODE
- Insertion/withdrawal cycles: ≥ 100
- Standards: IEC 61076-2-101
- Torque: 3~4 Nm (mounting side)
- Connection mode: PCB pins one-piece (rear mounting)

Standards

- EU technical specifications: DIN EN 45545-2 HL1-3 (Fire performance)
- French Standard: NF F 16-101/102 Category A1,A2,B (Fire performance)
- British Standard: DIN EN 50155 (Mechanical stress, vibration, shock)
- German standard: DIN EN 5510 Fire rating 1-4 (Fire performance)

Key Commercial Data

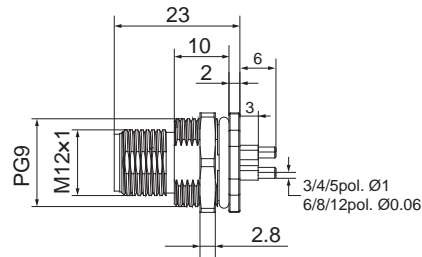
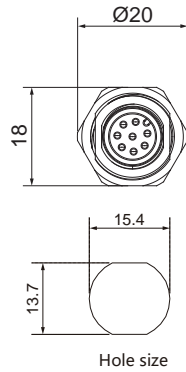
- Packing unit: 1PCS/Bag
- Small package (200 \times 150 \times 100) , Medium (330 \times 250 \times 150) , Large (400 \times 300 \times 230) mm

Type No.	ID No.	Mode	Coding	Current	Voltage	Wire gauge	Pinout																											
FEAF8R-P	12120074	PCB pins one-piece	A-CODE	2A	60V		<table border="1"> <thead> <tr> <th></th> <th>X</th> <th>Y</th> </tr> </thead> <tbody> <tr> <td>1</td> <td>-2.69</td> <td>0.57</td> </tr> <tr> <td>2</td> <td>-0.57</td> <td>2.69</td> </tr> <tr> <td>3</td> <td>1.66</td> <td>2.20</td> </tr> <tr> <td>4</td> <td>2.75</td> <td>0.19</td> </tr> <tr> <td>5</td> <td>1.94</td> <td>-1.94</td> </tr> <tr> <td>6</td> <td>-0.19</td> <td>-2.75</td> </tr> <tr> <td>7</td> <td>-2.20</td> <td>-1.66</td> </tr> <tr> <td>8</td> <td>0.00</td> <td>0.00</td> </tr> </tbody> </table>		X	Y	1	-2.69	0.57	2	-0.57	2.69	3	1.66	2.20	4	2.75	0.19	5	1.94	-1.94	6	-0.19	-2.75	7	-2.20	-1.66	8	0.00	0.00
	X	Y																																
1	-2.69	0.57																																
2	-0.57	2.69																																
3	1.66	2.20																																
4	2.75	0.19																																
5	1.94	-1.94																																
6	-0.19	-2.75																																
7	-2.20	-1.66																																
8	0.00	0.00																																

* M12 rear mounting receptacle, PCB pins one-piece * suitable for all Class D (ECN), Ethernet applications according to IEEE802.3, especially suitable for rolling stock market

M12 A-code receptacle connector 8pins

M12 Male, Receptacle connector, Rear mounting, PCB pins one-piece, EtherNet, Cat5e (1000MBit/s) rail transit dedicated connector



Technical data

- Housing material: Zinc/Nickel-plated
- Coupling nut: Zinc/Nickel-plated
- Contact carrier: Nylon/Black
- Pin: Brass/Gold-plated
- O-ring: FPM/FKM
- Communication category: Cat5e
- Insulation resistance: $\geq 100M\Omega$
- Forward resistance: $\leq 5m\Omega$
- Degree of pollution: 3
- Ambient temperature: $-25\sim +85^{\circ}C$
- Degree of protection: IP67
- Communication rate: 100MBit/s
- Plug: M12x1
- Coding: A-CODE
- Insertion/withdrawal cycles: ≥ 100
- Standards: IEC 61076-2-101
- Torque: 3~4 Nm (mounting side)
- Connection mode: PCB pins one-piece (rear mounting)

Standards

- EU technical specifications: DIN EN 45545-2 HL1-3 (Fire performance)
- French Standard: NF F 16-101/102 Category A1,A2,B (Fire performance)
- British Standard: DIN EN 50155 (Mechanical stress, vibration, shock)
- German standard: DIN EN 5510 Fire rating 1-4 (Fire performance)

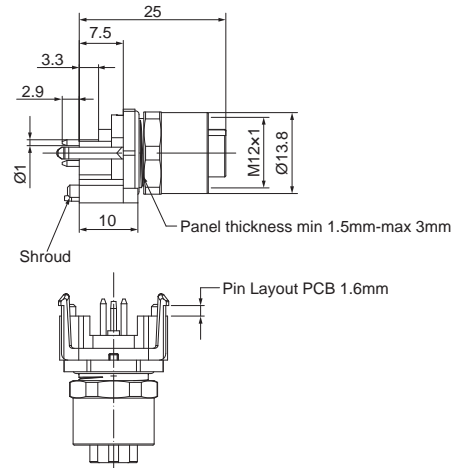
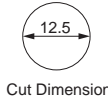
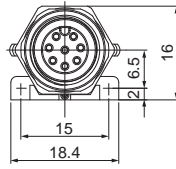
Key Commercial Data

- Packing unit: 1PCS/Bag
Small package (200x150x100) , Medium (330x250x150) , Large (400x300x230) mm

Type No.	ID No.	Mode	Coding	Current	Voltage	Wire gauge	Pinout																											
FEAM8R-P	12120079	PCB pins one-piece	A-CODE	2A	60V		<table border="1"> <thead> <tr> <th></th> <th>X</th> <th>Y</th> </tr> </thead> <tbody> <tr> <td>1</td> <td>2.69</td> <td>0.57</td> </tr> <tr> <td>2</td> <td>0.57</td> <td>2.69</td> </tr> <tr> <td>3</td> <td>-1.66</td> <td>2.20</td> </tr> <tr> <td>4</td> <td>-2.75</td> <td>0.19</td> </tr> <tr> <td>5</td> <td>-1.94</td> <td>-1.94</td> </tr> <tr> <td>6</td> <td>0.19</td> <td>-2.75</td> </tr> <tr> <td>7</td> <td>2.20</td> <td>-1.66</td> </tr> <tr> <td>8</td> <td>0.00</td> <td>0.00</td> </tr> </tbody> </table>		X	Y	1	2.69	0.57	2	0.57	2.69	3	-1.66	2.20	4	-2.75	0.19	5	-1.94	-1.94	6	0.19	-2.75	7	2.20	-1.66	8	0.00	0.00
	X	Y																																
1	2.69	0.57																																
2	0.57	2.69																																
3	-1.66	2.20																																
4	-2.75	0.19																																
5	-1.94	-1.94																																
6	0.19	-2.75																																
7	2.20	-1.66																																
8	0.00	0.00																																

* M12 rear mounting receptacle, PCB pins one-piece * Suitable for all Class D (ECN), Ethernet applications according to IEEE802.3, especially suitable for rolling stock market

M12 Female, Receptacle connector, Rear mounting with card holder, PCB pins one-piece, shielded



Technical data

- Housing material: Zinc/Nickel-plated
- Contact carrier: PA+GF/Black
- Pin: Brass/Gold-plated
- O-ring: FPM/FKM
- Ambient temperature: -25~+85°C
- Insulation resistance: $\geq 100M\Omega$
- Forward resistance: $\leq 5m\Omega$
- Degree of pollution: 3
- Degree of protection: IP67
- Torque: 3~4 Nm (mounting side)
- Plug: M12x1
- Coding: D-CODE
- Insertion/withdrawal cycles: ≥ 100
- Standards: IEC 61076-2-101
- Communication category: Cat5e,100MBit/s

Standards

- EU technical specifications: DIN EN 45545-2 HL1-3 (Fire performance)
- French Standard: NF F 16-101/102 Category A1,A2,B (Fire performance)
- British Standard: DIN EN 50155 (Mechanical stress, vibration, shock)
- German standard: DIN EN 5510 Fire rating 1-4 (Fire performance)

Key Commercial Data

- Packing unit: 1PCS/Bag
Small package (200×150×100) , Medium (330×250×150) , Large (400×300×230) mm

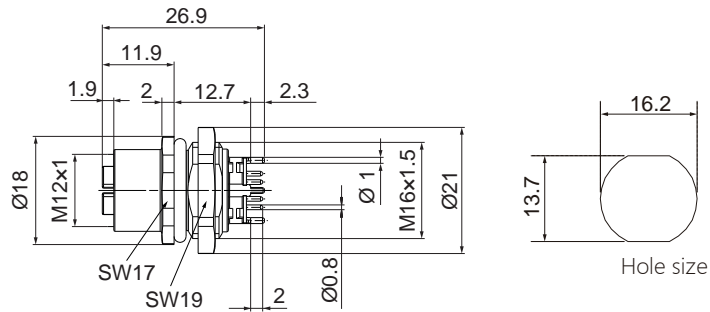
Type No.	ID No.	Mode	Coding	Current	Voltage	Wire gauge	Pinout
FEAF8R-PTS/M12	12120219	PCB pins with shield contact one-piece	A-CODE	2A	60V		

* M12 rear mounting receptacle, PCB pins one-piece, shielded * Complies with EN45545-2, suitable for all Class D (ECN), Ethernet applications according to IEEE802.3, especially suitable for rolling stock market

M8 M12 7/8" M16 M23 分支器 & 分线盒 阀式连接器 E-Net & P-Net Profibus-DP DeviceNet CC-LINK

M12 X-code receptacle connector 8pins

M12 Female, Receptacle connector, PCB pins one-piece (front mounting), shielded, EtherNet, Cat7, rail transit dedicated connector



Technical data

- Housing material: Zinc/Nickel-plated
- Coupling nut: Zinc/Nickel-plated
- Contact carrier: Nylon/Black
- Pin: Brass/Gold-plated
- O-ring: FPM/FKM
- Connection mode: PCB pins one-piece (front mounting)
- Insulation resistance: $\geq 100M\Omega$
- Forward resistance: $\leq 5m\Omega$
- Degree of pollution: 3
- Ambient temperature: $-25\sim +85^{\circ}C$
- Degree of protection: IP67
- Plug: M12x1
- Coding: X-CODE
- Insertion/withdrawal cycles: ≥ 100
- Standards: IEC 61076-2-101
- Torque: 3~4 Nm (mounting side)
- Communication category: EtherNet (Cat7,10Gbit/s)

Standards

- EU technical specifications: DIN EN 45545-2 HL1-3 (Fire performance)
- French Standard: NF F 16-101/102 Category A1,A2,B (Fire performance)
- British Standard: DIN EN 50155 (Mechanical stress, vibration, shock)
- German standard: DIN EN 5510 Fire rating 1-4 (Fire performance)

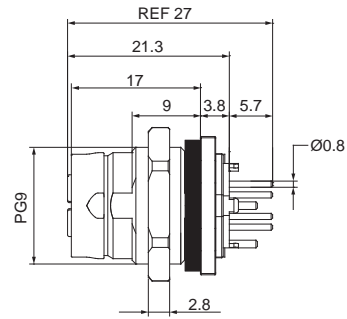
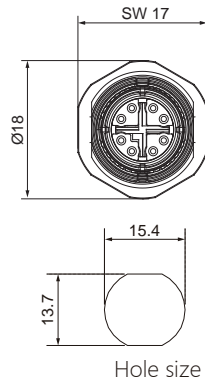
Key Commercial Data

- Packing unit: 1PCS/Bag
- Small package (200x150x100) , Medium (330x250x150) , Large (400x300x230) mm

Type No.	ID No.	Mode	Coding	Current	Voltage	Wire gauge	Pinout
FEXF8F-PS/M16	12120263	PCB pins one-piece	X-CODE	0.5A	60V		

* M12 front mounting receptacle connector, PCB pins one-piece * Suitable for all Class D (ECN), Ethernet applications in accordance with IEEE802.3, especially suitable for rolling stock market

M12 Female, PUSH-PULL receptacle connector, PCB pins one-piece (rear mounting), shielded, EtherNet, Cat7, rail transit dedicated connector



Technical data

- Housing material: Zinc/Nickel-plated
- Coupling nut: Zinc/Nickel-plated
- Contact carrier: Nylon/Black
- Pin: Brass/Gold-plated
- O-ring: FPM/FKM
- Connection mode: PCB pins one-piece (rear mounting)
- Insulation resistance: $\geq 100M\Omega$
- Forward resistance: $\leq 5m\Omega$
- Degree of pollution: 3
- Ambient temperature: $-25\sim+85^{\circ}C$
- Degree of protection: IP67
- Plug: M12x1 (PUSH-PULL)
- Coding: X-CODE
- Insertion/withdrawal cycles: ≥ 100
- Standards: IEC 61076-2-101
- Torque: 3~4 Nm (mounting side)
- Communication category: EtherNet (Cat7,10Gbit/s)

Standards

- EU technical specifications: DIN EN 45545-2 HL1-3 (Fire performance)
- French Standard: NF F 16-101/102 Category A1,A2,B (Fire performance)
- British Standard: DIN EN 50155 (Mechanical stress, vibration, shock)
- German standard: DIN EN 5510 Fire rating 1-4 (Fire performance)

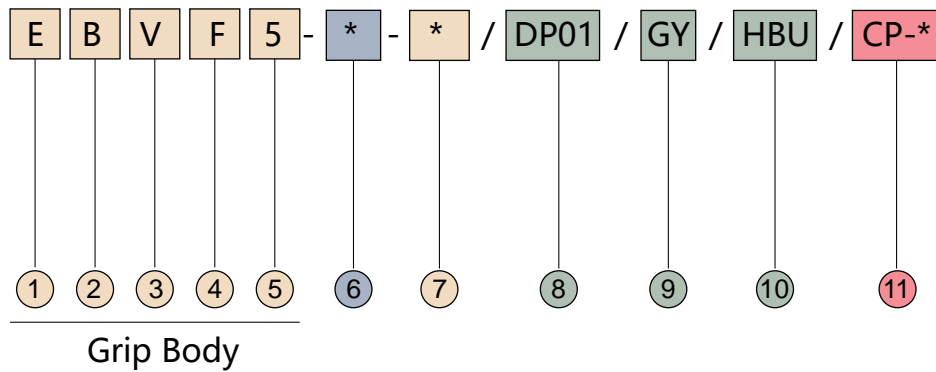
Key Commercial Data

- Packing unit: 1PCS/Bag
Small package (200x150x100) , Medium (330x250x150) , Large (400x300x230) mm

Type No.	ID No.	Mode	Coding	Current	Voltage	Wire gauge	Pinout
FEXF8R-PS/PP	12120261	PCB pins with shield contact one-piece	X-CODE	0.5A	60V		

* M12 PUSH-PULL rear mount receptacle connector, PCB pins one-piece * Suitable for all Class D (ECN), Ethernet applications according to IEEE802.3, especially suitable for rolling stock market

Profibus-DP



- | | |
|--|--|
| <p>① E = M12, Straight
EW = M12, Right angle</p> <p>② B-code</p> <p>③ Blank = Zinc die-cast, nickel-plated
V = Stainless steel nut</p> <p>④ M = Male
F = Female</p> <p>⑤ Number of pins
Contact distribution</p> <p>⑥ Length(M)
Can be customized
With 0.1M as increment
The shortest length is 0.2M</p> <p>⑦ Blank = Single-ended
Double-ended = part number key
refer to "Grip Body"</p> | <p>⑧ Reference cable code</p> <p>⑨ Color of cable
Blank = Standard color
Customized cable color
YE = Yellow
GY = Gray</p> <p>⑩ Color of plug body
Blank = Standard color (Yellow)
Customized plug body color
HBK Black
HBU Blue</p> <p>⑪ Customized products
* = Customized code</p> |
|--|--|

M8

M12

7/8"

M16

M23

阀式连接器

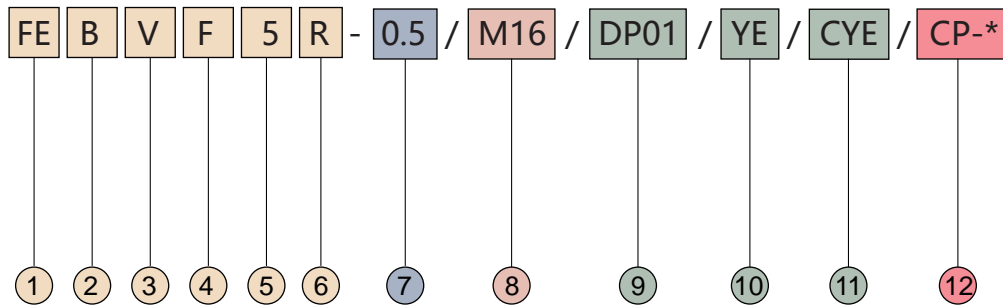
分支器&分线盒

E-Net & P-Net

Profibus-DP

DeviceNet

CC-LINK

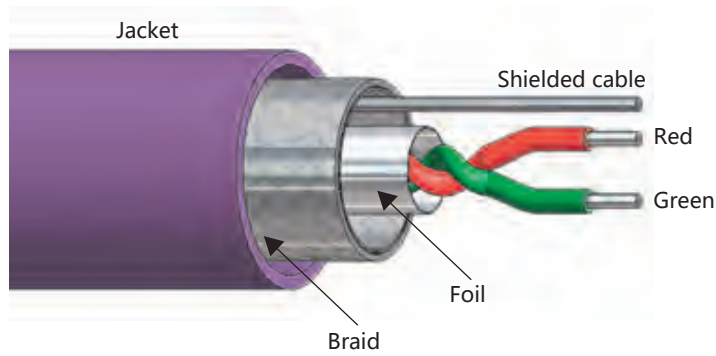


- | | |
|---|--|
| <p>① M12 Receptacle connector</p> <p>② B-code</p> <p>③ Blank = Zinc die-cast, nickel-plated
V = Stainless steel nut</p> <p>④ M = Male
F = Female</p> <p>⑤ Number of pins</p> <p>⑥ R = Rear mounting
F = Front mounting</p> <p>⑦ Cable Length(M)
0.5 = Cable length 0.5M
Can be customized</p> | <p>⑧ Mounting thread
Blank = PG9
M16 = M16×1.5</p> <p>⑨ Reference cable code</p> <p>⑩ Color of cable jacket
Blank = Standard color (Black)</p> <p>⑪ Color of contact carrier
Blank = Standard color (Black)
CYE = Yellow contact carrier
CGN = Green contact carrier
CVT = Violet contact carrier</p> <p>⑫ Customized products
* = Customized code</p> |
|---|--|

Profibus-DP cable type

Profibus-DP cable

EN50170-2-2:1996, for communications below 12 Mbaud



Technical data

K Baud	9.6	19.2	93.75	187.5	500	1500	1200
Maximum trunk length	1200 M	1200 M	1200 M	1000 M	400 M	200 M	100 M

Cable Type No.	Data parameter			Jacket	Shield	Installation method Operating temperature	Cable code
	Cable parameters	DC resistance per 1km/insulation	Characteristic Impedance @1 MHz	Material/ Colour/Outer Diameter	Type Drain Wire		
19810014	2×22 AWG RD/GN	70 Ohm/km HDPE	150 Ohm	PVC/Violet 8.0 mm	Foil+Braid+ Shielded cable	Fixed application -25~80°C	DP01
19810015	2×22 AWG RD/GN	70 Ohm/km HDPE	150 Ohm	PUR/Violet 8.0 mm	Foil+Braid+ Shielded cable	Drag chain≥5 million -25~80°C	DP02

K Baud	9.6	19.2	93.75	187.5	500	1500	1200
Maximum trunk length	1200 M	1200 M	1200 M	1000 M	400 M	200 M	100 M

M8

M12

7/8"

M16

M23

阀式连接器

分支器&分线盒

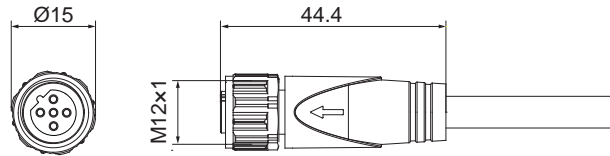
E-Net & P-Net

Profibus-DP

DeviceNet

CC-LINK

M12 Female, Profibus-DP pre-moulding, Anti-vibration



Technical data

- Plug body: TPU/Yellow
- Coupling nut: Zinc/Nickel-plated
- Contact carrier: TPU+GF/Black
- Pin: Brass/Gold-plated
- O-ring: FPM/FKM
- Insulation resistance: $\geq 100M\Omega$
- Forward resistance: $\leq 5m\Omega$
- Degree of pollution: 3
- Ambient temperature: $-25\sim +85^{\circ}C$
- Degree of protection: IP67
- Plug: M12x1
- Coding: B-CODE
- Insertion/withdrawal cycles: ≥ 100
- Standards: IEC 61076-2-101
- Torque: 0.4 Nm (M12 Plug connector)
- Cable: Refer to cable specification for detailed data

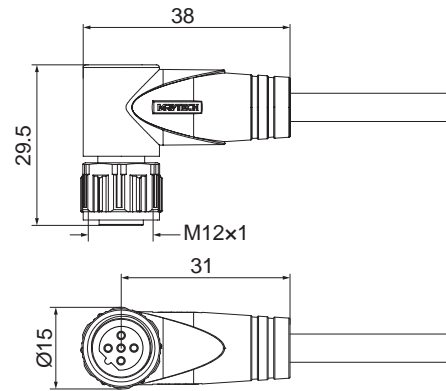
Key Commercial Data

- Packing unit: 2M/10PCS/Bag, 5M/5PCS/Bag, 10M/1PCS/Bag
- Small package (200x150x100), Medium (330x250x150), Large (400x300x230) mm

Type No.	ID No.	Length	Angle	Coding	Current	Voltage	Wire gauge	Pinout	Wire colors
EBF5-2/DP01	10121298	2M	Straight	B-CODE	4A	250V	2x0.34 (2x22AWG) Purple PVC,shielded, OD=8.0 No.: 19810014		1 = N/C 2 = GN (Bus A) 3 = N/C 4 = RD (Bus B) 5 = Shield
EBF5-5/DP01	10121299	5M							
EBF5-10/DP01	10121300	10M							
EBF5-2/DP02	10121301	2M	Straight	B-CODE	4A	2x0.34 (2x22AWG) Purple PUR,shielded, drag chain,OD=8.0 No.: 19810015		1 = N/C 2 = GN (Bus A) 3 = N/C 4 = RD (Bus B) 5 = Shield	
EBF5-5/DP02	10121302	5M							
EBF5-10/DP02	10121303	10M							

* Standard cable lengths are 2/5/10M, Consult factory for other lengths *

M12 Right angle female, Profibus-DP pre-moulding, Anti-vibration



Technical data

- Plug body: TPU/Yellow
- Coupling nut: Zinc/Nickel-plated
- Contact carrier: TPU+GF/Black
- Pin: Brass/Gold-plated
- O-ring: FPM/FKM
- Insulation resistance: $\geq 100M\Omega$
- Forward resistance: $\leq 5m\Omega$
- Degree of pollution: 3
- Ambient temperature: $-25\sim +85^{\circ}C$
- Degree of protection: IP67
- Plug: M12x1
- Coding: B-CODE
- Insertion/withdrawal cycles: ≥ 100
- Standards: IEC 61076-2-101
- Torque: 0.4 Nm (M12 Plug connector)
- Cable: Refer to cable specification for detailed data

Key Commercial Data

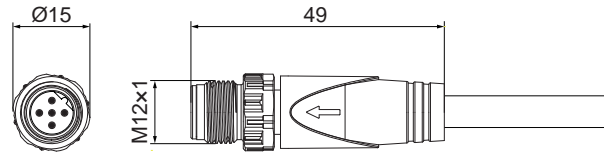
- Packing unit: 2M/10PCS/Bag, 5M/5PCS/Bag, 10M/1PCS/Bag
- Small package (200×150×100), Medium (330×250×150), Large (400×300×230) mm

Type No.	ID No.	Length	Angle	Coding	Current	Voltage	Wire gauge	Pinout	Wire colors
EWBF5-2/DP01	10121304	2M	Right angle	B-CODE	4A	250V	2×0.34 (2×22AWG) Purple PVC, shielded, OD=8.0 No.: 19810014		1 = N/C 2 = GN (Bus A) 3 = N/C 4 = RD (Bus B) 5 = Shield
EWBF5-5/DP01	10121305	5M							
EWBF5-10/DP01	10121306	10M							
EWBF5-2/DP02	10121307	2M	Right angle	B-CODE	4A	250V	2×0.34 (2×22AWG) Purple PUR, shielded, drag chain, OD=8.0 No.: 19810015		1 = N/C 2 = GN (Bus A) 3 = N/C 4 = RD (Bus B) 5 = Shield
EWBF5-5/DP02	10121308	5M							
EWBF5-10/DP02	10121309	10M							

* Standard cable lengths are 2/5/10M, Consult factory for other lengths *

M8
M12
7/8"
M16
M23
E-Net & P-Net 分支器 & 分线盒 阀式连接器
Profibus-DP
DeviceNet
CC-LINK

M12 Male, Profibus-DP pre-moulding, Anti-vibration



Technical data

- Plug body: TPU/Yellow
- Coupling nut: Zinc/Nickel-plated
- Contact carrier: TPU+GF/Black
- Pin: Brass/Gold-plated
- O-ring: FPM/FKM
- Insulation resistance: $\geq 100M\Omega$
- Forward resistance: $\leq 5m\Omega$
- Degree of pollution: 3
- Ambient temperature: $-25\sim +85^{\circ}C$
- Degree of protection: IP67
- Plug: M12x1
- Coding: B-CODE
- Insertion/withdrawal cycles: ≥ 100
- Standards: IEC 61076-2-101
- Torque: 0.4 Nm (M12 Plug connector)
- Cable: Refer to cable specification for detailed data

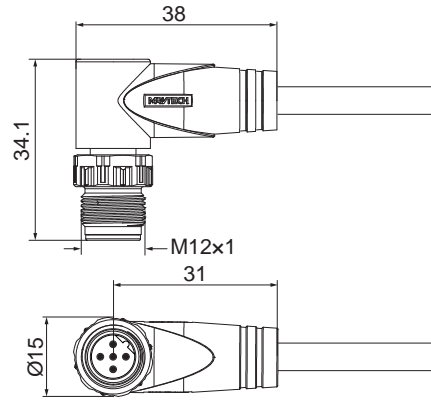
Key Commercial Data

- Packing unit: 2M/10PCS/Bag, 5M/5PCS/Bag, 10M/1PCS/Bag
- Small package (200x150x100), Medium (330x250x150), Large (400x300x230) mm

Type No.	ID No.	Length	Angle	Coding	Current	Voltage	Wire gauge	Pinout	Wire colors
EBM5-2/DP01	10121310	2M	Straight	B-CODE	4A	250V	2x0.34 (2x22AWG) Purple PVC,shielded, OD=8.0 No.: 19810014		1 = N/C 2 = GN (Bus A) 3 = N/C 4 = RD (Bus B) 5 = Shield
EBM5-5/DP01	10121311	5M							
EBM5-10/DP01	10121312	10M							
EBM5-2/DP02	10121313	2M	Straight	B-CODE	4A	250V	2x0.34 (2x22AWG) Purple PUR,shielded, drag chain,OD=8.0 No.: 19810015		1 = N/C 2 = GN (Bus A) 3 = N/C 4 = RD (Bus B) 5 = Shield
EBM5-5/DP02	10121314	5M							
EBM5-10/DP02	10121315	10M							

* Standard cable lengths are 2/5/10M, Consult factory for other lengths *

M12 Right angle male, Profibus-DP pre-moulding, Anti-vibration



Technical data

- Plug body: TPU/Yellow
- Coupling nut: Zinc/Nickel-plated
- Contact carrier: TPU+GF/Black
- Pin: Brass/Gold-plated
- O-ring: FPM/FKM
- Insulation resistance: $\geq 100M\Omega$
- Forward resistance: $\leq 5m\Omega$
- Degree of pollution: 3
- Ambient temperature: $-25\sim +85^{\circ}C$
- Degree of protection: IP67
- Plug: M12x1
- Coding: B-CODE
- Insertion/withdrawal cycles: ≥ 100
- Standards: IEC 61076-2-101
- Torque: 0.4 Nm (M12 Plug connector)
- Cable: Refer to cable specification for detailed data

Key Commercial Data

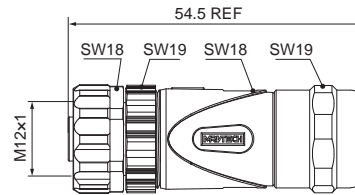
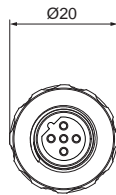
- Packing unit: 2M/10PCS/Bag, 5M/5PCS/Bag, 10M/1PCS/Bag
- Small package (200×150×100), Medium (330×250×150), Large (400×300×230) mm

Type No.	ID No.	Length	Angle	Coding	Current	Voltage	Wire gauge	Pinout	Wire colors
EWBM5-2/DP01	10121316	2M	Right angle	B-CODE	4A	250V	2×0.34 (2×22AWG) Purple PVC,shielded, OD=8.0 No.: 19810014		1 = N/C 2 = GN (Bus A) 3 = N/C 4 = RD (Bus B) 5 = Shield
EWBM5-5/DP01	10121317	5M							
EWBM5-10/DP01	10121318	10M							
EWBM5-2/DP02	10121319	2M	Right angle	B-CODE	4A	250V	2×0.34 (2×22AWG) Purple PUR,shielded, drag chain,OD=8.0 No.: 19810015		1 = N/C 2 = GN (Bus A) 3 = N/C 4 = RD (Bus B) 5 = Shield
EWBM5-5/DP02	10121320	5M							
EWBM5-10/DP02	10121321	10M							

* Standard cable lengths are 2/5/10M, Consult factory for other lengths *

M8
M12
7/8"
M16
M23
E-Net & P-Net 分支器 & 分线盒 阀式连接器
Profibus-DP
DeviceNet
CC-LINK

M12 Female, Field wirable connector, Metal housing



Technical data

- Housing material: Zinc/Nickel-plated
- Coupling nut: Zinc/Nickel-plated
- Contact carrier: Nylon/Black
- Pin: Brass/Gold-plated
- O-ring: FPM/FKM
- Insulation resistance: $\geq 100M\Omega$
- Forward resistance: $\leq 5m\Omega$
- Degree of pollution: 3
- Ambient temperature: $-25\sim+85^{\circ}C$
- Degree of protection: IP67
- Plug: M12×1
- Coding: B-CODE
- Insertion/withdrawal cycles: ≥ 100
- Standards: IEC 61076-2-101
- Connection: Screw connection

Key Commercial Data

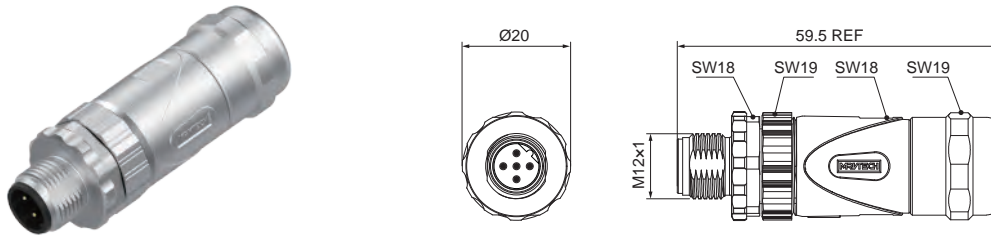
- Weight: 4Pin/80g
- Packing unit: 1PCS/Bag
Small package (200×150×100) , Medium (330×250×150) , Large (400×300×230) mm

Type No.	ID No.	Connection	Coding	Current	Voltage	Wire gauge	Pinout
EBF528-8	11120054	Screw connection	B-CODE	4A	250V	0.25~0.75 mm ² (without ferrule) 0.14~0.75 mm ² (with ferrule) Accept cable diameter: 4~6mm (Black O-ring) 6~8mm (Gray O-ring)	

* M12 B-code female field wirable connector, metal housing *

M12 B-code field wirable connector 5pins

M12 Male, Field wirable connector, Metal housing



Technical data

- Housing material: Zinc/Nickel-plated
- Coupling nut: Zinc/Nickel-plated
- Contact carrier: Nylon/Black
- Pin: Brass/Gold-plated
- O-ring: FPM/FKM
- Insulation resistance: $\geq 100M\Omega$
- Forward resistance: $\leq 5m\Omega$
- Degree of pollution: 3
- Ambient temperature: $-25\sim+85^{\circ}C$
- Degree of protection: IP67
- Plug: M12x1
- Coding: B-CODE
- Insertion/withdrawal cycles: ≥ 100
- Standards: IEC 61076-2-101
- Connection: Screw connection

Key Commercial Data

- Packing unit: 1PCS/Bag
Small package (200x150x100) , Medium (330x250x150) , Large (400x300x230) mm

Type No.	ID No.	Connection	Coding	Current	Voltage	Wire gauge	Pinout
EBM528-8	11120055	Screw connection	B-CODE	4A	250V	0.25~0.75 mm ² (without ferrule) 0.14~0.75 mm ² (with ferrule) Accept cable diameter: 4~6mm (Black O-ring) 6~8mm (Gray O-ring)	

* M12 B-code male field wirable connector, metal housing *

M8

M12

7/8"

M16

M23

分支器 & 分线盒

阀式连接器

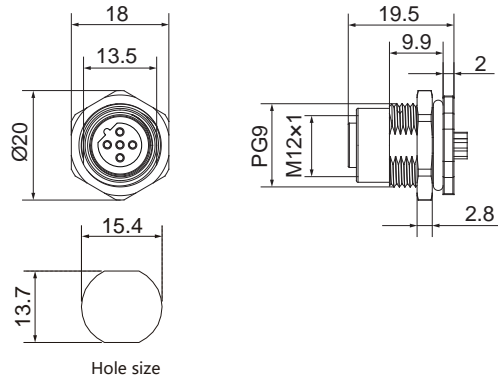
E-Net & P-Net

Profibus-DP

DeviceNet

CC-LINK

M12 Female, Receptacle connector, Rear mounting, PCB welding



Technical data

- Housing material: Zinc/Nickel-plated
- Coupling nut: Zinc/Nickel-plated
- Contact carrier: Nylon/Black
- Pin: Brass/Gold-plated
- O-ring: FPM/FKM
- Insulation resistance: $\geq 100M\Omega$
- Forward resistance: $\leq 5m\Omega$
- Degree of pollution: 3
- Ambient temperature: $-25\sim +85^{\circ}C$
- Degree of protection: IP67
- Plug: M12×1
- Coding: B-CODE
- Insertion/withdrawal cycles: ≥ 100
- Standards: IEC 61076-2-101
- Torque: 3~4 Nm (mounting side)
- Connection: Solder cup

Key Commercial Data

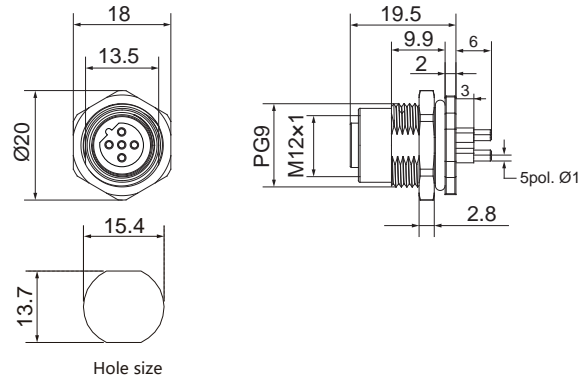
- Weight: 5Pin/18g
- Packing unit: 1PCS/Bag
Small package (200×150×100) , Medium (330×250×150) , Large (400×300×230) mm

Type No.	ID No.	Connection	Coding	Current	Voltage	Wire gauge	Pinout
FEBF5R-L	12120172	Solder cup	B-CODE	4A	250V	Accept 0.5mm ² (20AWG) max	

* M12 rear mount receptacle connector, field welding *

M12 B-code receptacle connector 5pins

M12 Female, Receptacle connector, Rear mounting, PCB pins one-piece



Technical data

- Housing material: Zinc/Nickel-plated
- Coupling nut: Zinc/Nickel-plated
- Contact carrier: Nylon/Black
- Pin: Brass/Gold-plated
- O-ring: FPM/FKM
- Insulation resistance: $\geq 100M\Omega$
- Forward resistance: $\leq 5m\Omega$
- Degree of pollution: 3
- Ambient temperature: $-25\sim +85^{\circ}C$
- Degree of protection: IP67
- Plug: M12x1
- Coding: B-CODE
- Insertion/withdrawal cycles: ≥ 100
- Standards: IEC 61076-2-101
- Torque: 3~4 Nm (mounting side)
- Connection: PCB pins one-piece

Key Commercial Data

- Weight: 5Pin/18g
- Packing unit: 1PCS/Bag
Small package (200x150x100) , Medium (330x250x150) , Large (400x300x230) mm

Type No.	ID No.	Connection	Coding	Current	Voltage	Wire gauge	Pinout																		
FEBF5R-P	12120171	PCB pins one-piece	B-CODE	4A	250V		<table border="1"> <thead> <tr> <th></th> <th>X</th> <th>Y</th> </tr> </thead> <tbody> <tr> <td>1</td> <td>-2.50</td> <td>0.00</td> </tr> <tr> <td>2</td> <td>0.00</td> <td>2.50</td> </tr> <tr> <td>3</td> <td>2.50</td> <td>0.00</td> </tr> <tr> <td>4</td> <td>0.00</td> <td>-2.50</td> </tr> <tr> <td>5</td> <td>0.00</td> <td>0.00</td> </tr> </tbody> </table>		X	Y	1	-2.50	0.00	2	0.00	2.50	3	2.50	0.00	4	0.00	-2.50	5	0.00	0.00
	X	Y																							
1	-2.50	0.00																							
2	0.00	2.50																							
3	2.50	0.00																							
4	0.00	-2.50																							
5	0.00	0.00																							

* M12 rear mount receptacle connector, PCB pins one-piece*

M8

M12

7/8"

M16

M23

分支器&分线盒

阀式连接器

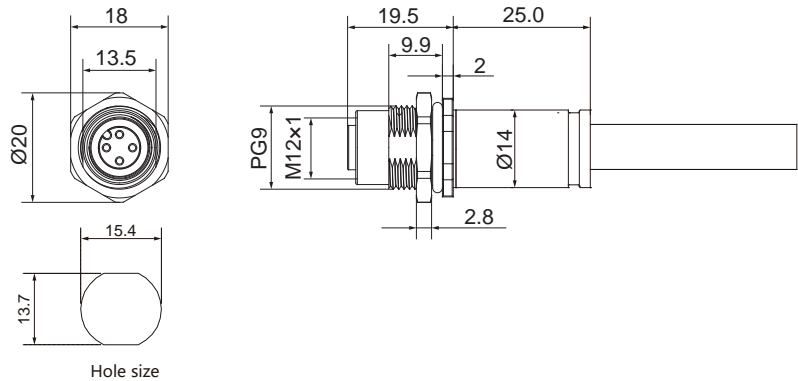
E-Net & P-Net

Profibus-DP

DeviceNet

CC-LINK

M12 Female, Pre-moulding receptacle connector, Rear mounting



Technical data

- Housing material: Zinc/Nickel-plated
- Coupling nut: Zinc/Nickel-plated
- Contact carrier: TPU+GF/Black
- Pin: Brass/Gold-plated
- O-ring: FPM/FKM
- Insulation resistance: $\geq 100M\Omega$
- Forward resistance: $\leq 5m\Omega$
- Degree of pollution: 3
- Ambient temperature: $-25\sim +85^{\circ}C$
- Degree of protection: IP67
- Plug: M12x1
- Coding: B-CODE
- Insertion/withdrawal cycles: ≥ 100
- Standards: IEC 61076-2-101
- Torque: 3~4 Nm (mounting side)
- Cable: Refer to cable specification for detailed data

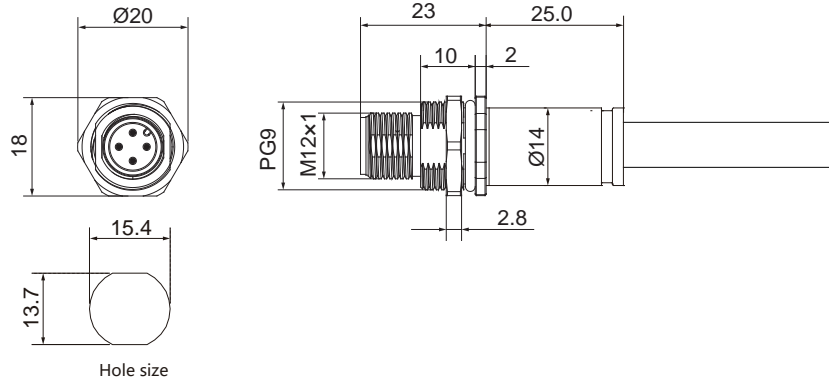
Key Commercial Data

- Packing unit: 2M/10PCS/Bag, 5M/5PCS/Bag, 10M/1PCS/Bag
- Small package (200x150x100), Medium (330x250x150), Large (400x300x230) mm

Type No.	ID No.	Length	Coding	Current	Voltage	Wire gauge	Pinout	Wire colors
FEBF5R-2/DP01	12120173	2M	B-CODE	4A	250V	2x0.34 (2x22AWG) Purple PVC, shielded, OD=8.0 No.: 19810014		1 = N/C 2 = GN (Bus A) 3 = N/C 4 = RD (Bus B) 5 = Shield
FEBF5R-5/DP01	12120174	5M						
FEBF5R-10/DP01	12120175	10M						
FEBF5R-2/DP02	12120176	2M	B-CODE	4A	250V	2x0.34 (2x22AWG) Purple PUR, shielded, drag chain, OD=8.0 No.: 19810015		1 = N/C 2 = GN (Bus A) 3 = N/C 4 = RD (Bus B) 5 = Shield
FEBF5R-5/DP02	12120177	5M						
FEBF5R-10/DP02	12120178	10M						

* M12 pre-moulding receptacle, rear mount, Profibus-DP communication protocol *

M12 Male, Pre-moulding receptacle connector, Rear mounting



Technical data

- Housing material: Zinc/Nickel-plated
- Coupling nut: Zinc/Nickel-plated
- Contact carrier: TPU+GF/Black
- Pin: Brass/Gold-plated
- O-ring: FPM/FKM
- Insulation resistance: $\geq 100M\Omega$
- Forward resistance: $\leq 5m\Omega$
- Degree of pollution: 3
- Ambient temperature: $-25\sim +85^{\circ}C$
- Degree of protection: IP67
- Plug: M12x1
- Coding: B-CODE
- Insertion/withdrawal cycles: ≥ 100
- Standards: IEC 61076-2-101
- Torque: 3~4 Nm (mounting side)
- Cable: Refer to cable specification for detailed data

Key Commercial Data

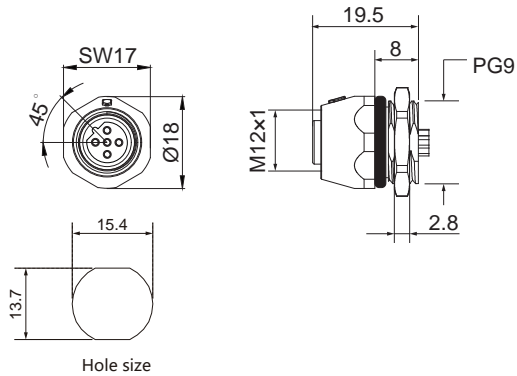
- Packing unit: 2M/10PCS/Bag, 5M/5PCS/Bag, 10M/1PCS/Bag
- Small package (200×150×100), Medium (330×250×150), Large (400×300×230) mm

Type No.	ID No.	Length	Coding	Current	Voltage	Wire gauge	Pinout	Wire colors
FEBM5R-2/DP01	12120179	2M	B-CODE	4A	250V	2×0.34 (2×22AWG) Purple PVC,shielded, OD=8.0 No.: 19810014		1 = N/C 2 = GN (Bus A) 3 = N/C 4 = RD (Bus B) 5 = Shield
FEBM5R-5/DP01	12120180	5M						
FEBM5R-10/DP01	12120181	10M						
FEBM5R-2/DP02	12120182	2M	B-CODE	4A	250V	2×0.34 (2×22AWG) Purple PUR,shielded, drag chain,OD=8.0 No.: 19810015		1 = N/C 2 = GN (Bus A) 3 = N/C 4 = RD (Bus B) 5 = Shield
FEBM5R-5/DP02	12120183	5M						
FEBM5R-10/DP02	12120184	10M						

* M12 pre-moulding receptacle, rear mount, Profibus-DP communication protocol *

M8
M12
7/8"
M16
M23
E-Net & P-Net 分支器 & 分线盒 阀式连接器
Profibus-DP
DeviceNet
CC-LINK

M12 Female, receptacle connector, front mount, solder up



Technical data

- Housing material: Zinc/Nickel-plated
- Coupling nut: Zinc/Nickel-plated
- Contact carrier: Nylon/Black
- Pin: Brass/Gold-plated
- O-ring: FPM/FKM
- Insulation resistance: $\geq 100M\Omega$
- Forward resistance: $\leq 5m\Omega$
- Degree of pollution: 3
- Ambient temperature: $-25\sim +85^{\circ}C$
- Degree of protection: IP67
- Plug: M12x1
- Coding: B-CODE
- Insertion/withdrawal cycles: ≥ 100
- Standards: IEC 61076-2-101
- Torque: 3~4 Nm (mounting side)
- Connection: Solder cup

Key Commercial Data

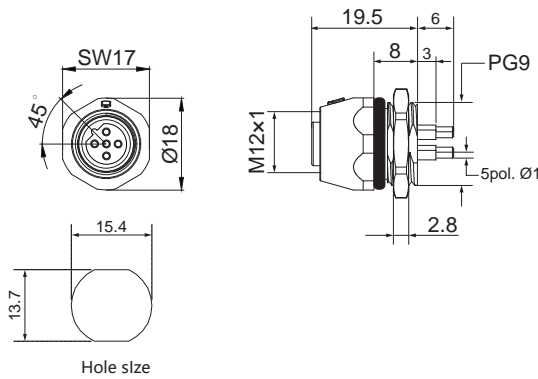
- Packing unit: 2M/10PCS/Bag, 5M/5PCS/Bag, 10M/1PCS/Bag
- Small package (200x150x100), Medium (330x250x150), Large (400x300x230) mm

Type No.	ID No.	Connection	Coding	Current	Voltage	Wire gauge	Pinout
FEBF5F-L	12120172	Solder cup	B-CODE	4A	250V	Accept 0.5mm ² (20AWG) max	

* M12 front mount receptacle connector, solder up *

M12 B-code receptacle connector 5pins

M12 Female, Receptacle connector, Front mount, PCB pins one-piece

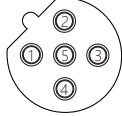


Technical data

- Housing material: Zinc/Nickel-plated
- Coupling nut: Zinc/Nickel-plated
- Contact carrier: Nylon/Black
- Pin: Brass/Gold-plated
- O-ring: FPM/FKM
- Insulation resistance: $\geq 100M\Omega$
- Forward resistance: $\leq 5m\Omega$
- Degree of pollution: 3
- Ambient temperature: $-25\sim +85^{\circ}C$
- Degree of protection: IP67
- Plug: M12x1
- Coding: B-CODE
- Insertion/withdrawal cycles: ≥ 100
- Standards: IEC 61076-2-101
- Torque: 3~4 Nm (mounting side)
- Connection: PCB pins one-piece

Key Commercial Data

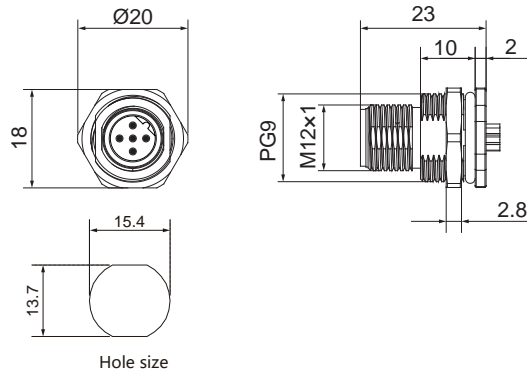
- Packing unit: 2M/10PCS/Bag, 5M/5PCS/Bag, 10M/1PCS/Bag
- Small package (200x150x100) , Medium (330x250x150) , Large (400x300x230) mm

Type No.	ID No.	Connection	Coding	Current	Voltage	Wire gauge	Pinout																		
FEBF5F-P	12120186	PCB pins one-piece	B-CODE	4A	250V		<table border="1"> <thead> <tr> <th></th> <th>X</th> <th>Y</th> </tr> </thead> <tbody> <tr> <td>1</td> <td>-2.50</td> <td>0.00</td> </tr> <tr> <td>2</td> <td>0.00</td> <td>2.50</td> </tr> <tr> <td>3</td> <td>2.50</td> <td>0.00</td> </tr> <tr> <td>4</td> <td>0.00</td> <td>-2.50</td> </tr> <tr> <td>5</td> <td>0.00</td> <td>0.00</td> </tr> </tbody> </table>		X	Y	1	-2.50	0.00	2	0.00	2.50	3	2.50	0.00	4	0.00	-2.50	5	0.00	0.00
	X	Y																							
1	-2.50	0.00																							
2	0.00	2.50																							
3	2.50	0.00																							
4	0.00	-2.50																							
5	0.00	0.00																							

* M12 front mount receptacle connector, PCB pins one-piece *

M8
M12
7/8"
M16
M23
E-Net & P-Net 分支器&分线盒 阀式连接器
Profibus-DP
DeviceNet
CC-LINK

M12 Male, receptacle connector, rear mounting, Solder up



Technical data

- Housing material: Zinc/Nickel-plated
- Coupling nut: Zinc/Nickel-plated
- Contact carrier: Nylon/Black
- Pin: Brass/Gold-plated
- O-ring: FPM/FKM
- Insulation resistance: $\geq 100M\Omega$
- Forward resistance: $\leq 5m\Omega$
- Degree of pollution: 3
- Ambient temperature: $-25\sim +85^{\circ}C$
- Degree of protection: IP67
- Plug: M12x1
- Coding: B-CODE
- Insertion/withdrawal cycles: ≥ 100
- Standards: IEC 61076-2-101
- Torque: 3~4 Nm (mounting side)
- Connection: Solder cup

Key Commercial Data

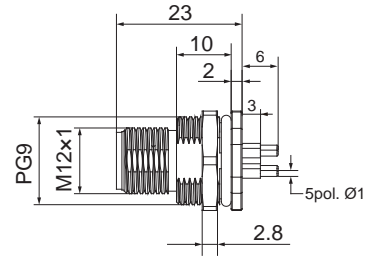
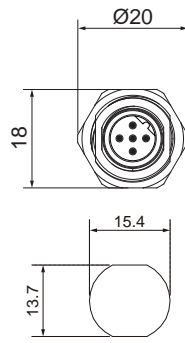
- Weight: 5Pin/18.3g
- Packing unit: 1PCS/Bag
Small package (200x150x100) , Medium (330x250x150) , Large (400x300x230) mm

Type No.	ID No.	Connection	Coding	Current	Voltage	Wire gauge	Pinout
FEBM5R-L	12120187	Solder cup	B-CODE	4A	250V	Accept 0.5mm ² (20AWG) max	

* M12 rear mount receptacle connector, solder cup *

M12 B-code receptacle connector 5pins

M12 male, receptacle connector, rear mounting, PCB pins one-piece



Hole size



Technical data

- Housing material: Zinc/Nickel-plated
- Coupling nut: Zinc/Nickel-plated
- Contact carrier: Nylon/Black
- Pin: Brass/Gold-plated
- O-ring: FPM/FKM
- Insulation resistance: $\geq 100M\Omega$
- Forward resistance: $\leq 5m\Omega$
- Degree of pollution: 3
- Ambient temperature: $-25\sim +85^{\circ}C$
- Degree of protection: IP67
- Plug: M12×1
- Coding: B-CODE
- Insertion/withdrawal cycles: ≥ 100
- Standards: IEC 61076-2-101
- Torque: 3~4 Nm (mounting side)
- Connection: PCB pins one-piece

Key Commercial Data

- Weight: 5Pin/19.3g
- Packing unit: 1PCS/Bag
Small package (200×150×100) , Medium (330×250×150) , Large (400×300×230) mm

Type No.	ID No.	Connection	Coding	Current	Voltage	Wire gauge	Pinout																		
FEBM5R-P	12120188	PCB pins one-piece	B-CODE	4A	250V		<table border="1"> <thead> <tr> <th></th> <th>X</th> <th>Y</th> </tr> </thead> <tbody> <tr> <td>1</td> <td>2.50</td> <td>0.00</td> </tr> <tr> <td>2</td> <td>0.00</td> <td>2.50</td> </tr> <tr> <td>3</td> <td>-2.50</td> <td>0.00</td> </tr> <tr> <td>4</td> <td>0.00</td> <td>-2.50</td> </tr> <tr> <td>5</td> <td>0.00</td> <td>0.00</td> </tr> </tbody> </table>		X	Y	1	2.50	0.00	2	0.00	2.50	3	-2.50	0.00	4	0.00	-2.50	5	0.00	0.00
	X	Y																							
1	2.50	0.00																							
2	0.00	2.50																							
3	-2.50	0.00																							
4	0.00	-2.50																							
5	0.00	0.00																							

* M12 rear mount receptacle connector, PCB pins one-piece *

M8

M12

7/8"

M16

M23

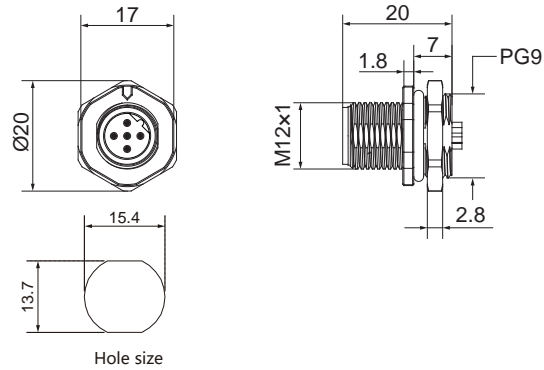
E-Net & P-Net 分支器&分线盒 阀式连接器

Profibus-DP

DeviceNet

CC-LINK

M12 male, receptacle connector, front mounting, solder cup



Technical data

- Housing material: Zinc/Nickel-plated
- Coupling nut: Zinc/Nickel-plated
- Contact carrier: Nylon/Black
- Pin: Brass/Gold-plated
- O-ring: FPM/FKM
- Insulation resistance: $\geq 100M\Omega$
- Forward resistance: $\leq 5m\Omega$
- Degree of pollution: 3
- Ambient temperature: $-25\sim +85^{\circ}C$
- Degree of protection: IP67
- Plug: M12×1
- Coding: B-CODE
- Insertion/withdrawal cycles: ≥ 100
- Standards: IEC 61076-2-101
- Torque: 3~4 Nm (mounting side)
- Connection: Solder cup

Key Commercial Data

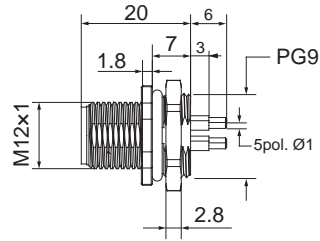
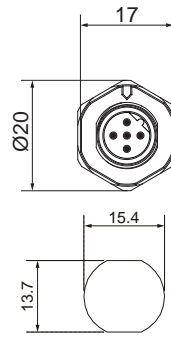
- Weight: 5Pin/17.8g
- Packing unit: 1PCS/Bag
Small package (200×150×100) , Medium (330×250×150) , Large (400×300×230) mm

Type No.	ID No.	Connection	Coding	Current	Voltage	Wire gauge	Pinout
FEBM5F-L	12120189	Solder cup	B-CODE	4A	250V	Accept 0.5mm ² (20AWG) max	

* M12 front mount receptacle connector, Solder cup *

M12 B-code receptacle connector 5pins

M12 male, receptacle connector, front mounting, PCB pins one-piece



Hole size



Technical data

- Housing material: Zinc/Nickel-plated
- Coupling nut: Zinc/Nickel-plated
- Contact carrier: Nylon/Black
- Pin: Brass/Gold-plated
- O-ring: FPM/FKM
- Insulation resistance: $\geq 100M\Omega$
- Forward resistance: $\leq 5m\Omega$
- Degree of pollution: 3
- Ambient temperature: $-25\sim +85^{\circ}C$
- Degree of protection: IP67
- Plug: M12×1
- Coding: B-CODE
- Insertion/withdrawal cycles: ≥ 100
- Standards: IEC 61076-2-101
- Torque: 3~4 Nm (mounting side)
- Connection: PCB pins one-piece

Key Commercial Data

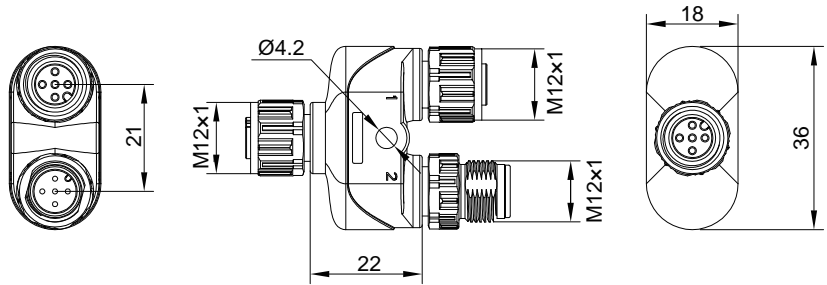
- Weight: 5Pin/18.5g
- Packing unit: 1PCS/Bag
Small package (200×150×100) , Medium (330×250×150) , Large (400×300×230) mm

Type No.	ID No.	Connection	Coding	Current	Voltage	Wire gauge	Pinout																		
FEBM5F-P	12120190	PCB pins one-piece	B-CODE	4A	250V		<table border="1"> <thead> <tr> <th></th> <th>X</th> <th>Y</th> </tr> </thead> <tbody> <tr> <td>1</td> <td>2.50</td> <td>0.00</td> </tr> <tr> <td>2</td> <td>0.00</td> <td>2.50</td> </tr> <tr> <td>3</td> <td>-2.50</td> <td>0.00</td> </tr> <tr> <td>4</td> <td>0.00</td> <td>-2.50</td> </tr> <tr> <td>5</td> <td>0.00</td> <td>0.00</td> </tr> </tbody> </table>		X	Y	1	2.50	0.00	2	0.00	2.50	3	-2.50	0.00	4	0.00	-2.50	5	0.00	0.00
	X	Y																							
1	2.50	0.00																							
2	0.00	2.50																							
3	-2.50	0.00																							
4	0.00	-2.50																							
5	0.00	0.00																							

* M12 front mount receptacle connector, PCB pins one piece *

M8
M12
7/8"
M16
M23
E-Net & P-Net 分支器&分线盒 阀式连接器
Profibus-DP
DeviceNet
CC-LINK

M12 Profibus-DP Y-splitter, anti-vibration



Technical data

- Plug body: TPU/Yellow
- Coupling nut: Zinc/Nickel-plated
- Contact carrier: TPU+GF/Black
- Pin: Brass/Gold-plated
- O-ring: FPM/FKM
- Insulation resistance: $\geq 100M\Omega$
- Forward resistance: $\leq 5m\Omega$
- Degree of pollution: 3
- Ambient temperature: $-25\sim +85^{\circ}C$
- Degree of protection: IP67
- Plug: M12x1
- Coding: B-CODE
- Insertion/withdrawal cycles: ≥ 100
- Standards: IEC 61076-2-101
- Torque: 0.4 Nm (M12 Plug connector)

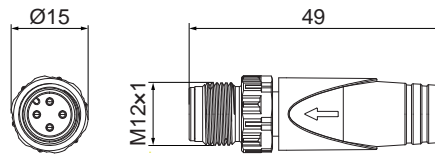
Key Commercial Data

- Packing unit: 1PCS/Bag
Small package (200x150x100) , Medium (330x250x150) , Large (400x300x230) mm

Type No.	ID No.	Coding	Current	Voltage	Pinout	Circuit
YW-EBF5-EBF5-EBM5/DP	13120032	B-CODE	4A	250V		

* M12 Profibus-DP Y-branch parallel circuit *

M12 Male, Profibus-DP termination resistors



Technical data

- Plug body: TPU/Yellow
- Coupling nut: Zinc/Nickel-plated
- Contact carrier: TPU+GF/Black
- Pin: Brass/Gold-plated
- O-ring: FPM/FKM
- Insulation resistance: $\geq 100M\Omega$
- Forward resistance: $\leq 5m\Omega$
- Degree of pollution: 3
- Ambient temperature: $-25\sim +85^{\circ}C$
- Degree of protection: IP67
- Plug: M12x1
- Coding: B-CODE
- Insertion/withdrawal cycles: ≥ 100
- Standards: IEC 61076-2-101
- Torque: 0.4 Nm (M12 Plug connector)

Key Commercial Data

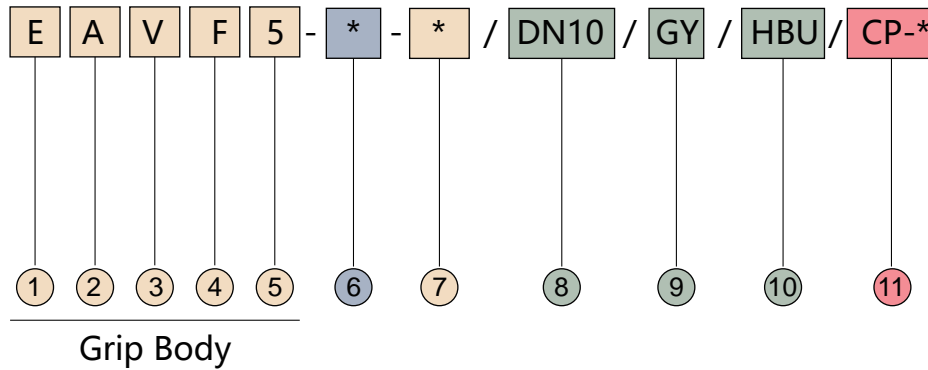
- Packing unit: 1PCS/Bag
Small package (200x150x100) , Medium (330x250x150) , Large (400x300x230) mm

Type No.	ID No.	Coding	Current	Voltage	Wire gauge	Circuit	Pinout
EBM5-TR/DP	10121296	B-CODE	4A	250V			1 = 5 VDC 2 = BUS-A 3 = GND 4 = BUS-B 5 = Shield

* M12 Profibus-DP termination resistors *

M8
M12
7/8"
M16
M23
E-Net & P-Net 分支器&分线盒 阀式连接器
DeviceNet
Profibus-DP
CC-LINK

DeviceNet



- ① E = M12, Straight
EW = M12, Right angle
- ② A-code
- ③ Blank = Zinc die-cast, nickel-plated
V = Stainless steel nut
- ④ M = Male
F = Female
- ⑤ Number of pins
Contact distribution
- ⑥ Length(M)
Can be customized
With 0.1M as increment
The shortest length is 0.2M
- ⑦ Blank = Single-ended
Double-ended = part number key refer to "Grip Body"
- ⑧ Reference cable code
- ⑨ Color of cable
Blank = Standard color
Customized cable color
YE = Yellow
GY = Gray
- ⑩ Color of plug body
Blank = Standard color (Yellow)
Customized plug body color
HBK Black
HBU Blue
- ⑪ Customized products
* = Customized code

M8

M12

7/8"

M16

M23

阀式连接器

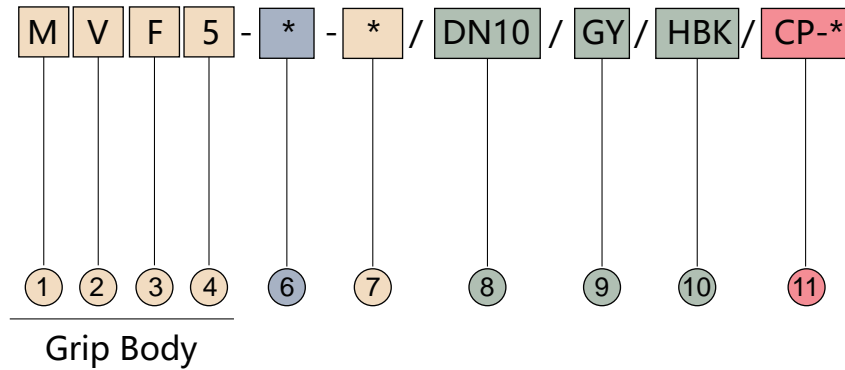
分支器&分线盒

E-Net & P-Net

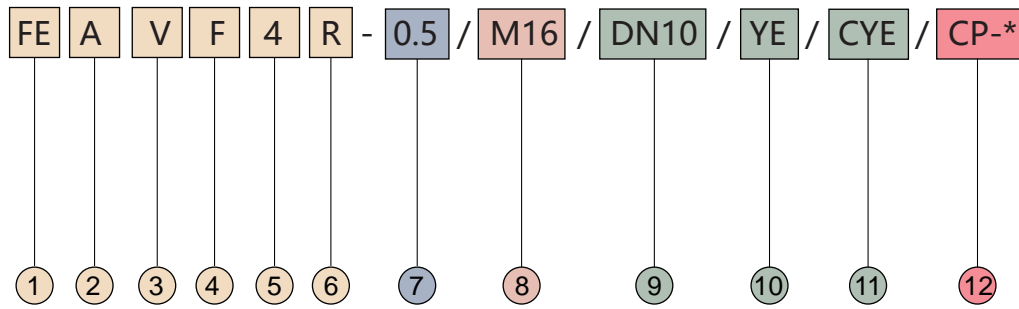
Profibus-DP

DeviceNet

CC-LINK



- | | |
|--|--|
| <p>① M = 7/8, Straight
MW = 7/8, Right angle</p> <p>③ Blank = Zinc die-cast, nickel-plated
V = Stainless steel nut</p> <p>④ M = Male
F = Female</p> <p>⑤ Number of pins
Contact distribution</p> <p>⑥ Length(M)
Can be customized
With 0.1M as increment
The shortest length is 0.2M</p> <p>⑦ Blank = Single-ended
Double-ended = part number key
refer to "Grip Body"</p> | <p>⑧ Reference cable code</p> <p>⑨ Color of cable
Blank = Standard color
Customized cable color
YE = Yellow
GY = Gray</p> <p>⑩ Color of plug body
Blank = Standard color (Yellow)
Customized plug body color
HBK Black
HBU Blue</p> <p>⑪ Customized products
* = Customized code</p> |
|--|--|



- ① M12 Receptacle connector
- ② A-code
- ③ Blank = Zinc die-cast, nickel-plated
V = Stainless steel nut
- ④ M = Male
F = Female
- ⑤ Number of pins
- ⑥ R = Rear mounting
F = Front mounting
- ⑦ Cable Length(M)
0.5 = Cable length 0.5M
Can be customized
- ⑧ Mounting thread
Blank = PG9
M16 = M16×1.5
- ⑨ Reference cable code
- ⑩ Color of cable jacket
Blank = Standard color (Blue)
- ⑪ Color of contact carrier
Blank = Standard color (Black)
CYE = Yellow contact carrier
CGN = Green contact carrier
CVT = Violet contact carrier
- ⑫ Customized products
* = Customized code

M8

M12

7/8"

M16

M23

阀式连接器

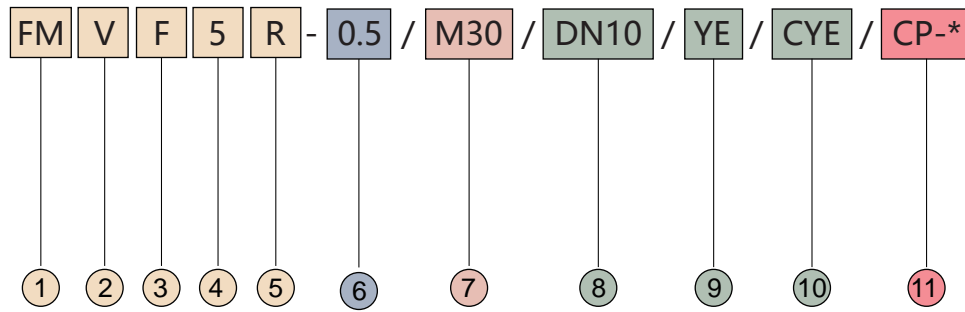
分支器&分线盒

E-Net & P-Net

Profibus-DP

DeviceNet

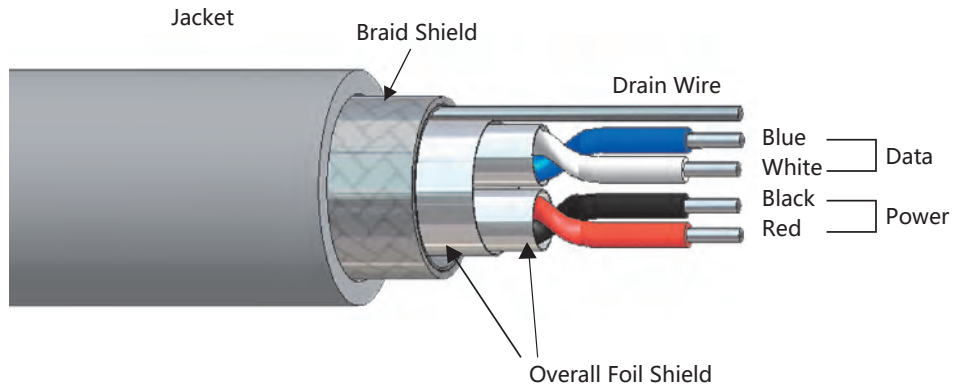
CC-LINK



- | | |
|---|---|
| ① 7/8" Receptacle connector | ⑧ Reference cable code |
| ② Blank = Zinc die-cast, nickel-plated
V = Stainless steel nut | ⑨ Color of cable jacket
Blank = Standard color (Blue) |
| ③ M = Male
F = Female | ⑩ Color of contact carrier
Blank = Standard color (Black)
CYE = Yellow contact carrier
CGN = Green contact carrier
CVT = Violet contact carrier |
| ④ Number of pins | ⑪ Customized products
* = Customized code |
| ⑤ R = Rear mounting
F = Front mounting | |
| ⑥ Cable Length(M)
0.5 = Cable length 0.5M
Can be customized | |
| ⑦ Mounting thread
M30 = M30×1.5
14.5NPSM = 1/2-14NPSM | |

DeviceNet Thin Cable Specifications

Commonly used DeviceNet™ Branch network, or in Route for maximum distance of 100m



Technical data

Cable Type No.	Power wire		Data wire		Out Jacket Material Color Nominal O.D.	Shields Type Drain Wire	Features	Cable Code
	AWG Color Code	DCR(/1000 feet) Insulation	AWG Color Code	DCR(/1000 feet) Insulation				
19810024	2×24 AWG BK/RD	90 Ohm/km PVC	2×24 AWG BU/WH	90 Ohm/km PE	PVC/Grey 5.8 mm	Foil 24 AWG	Superfine cable -20~80°C	DN24
19810000	2×22 AWG BK/RD	55 Ohm/km PVC	2×23 AWG BU/WH	90 Ohm/km PE	PVC/Grey 6.8 mm	Foil/Braid 22 AWG	Thin cabel -20~80°C	DN10
19810040	2×22 AWG BK/RD	55 Ohm/km PVC	2×23 AWG BU/WH	90 Ohm/km PE	TPE/Grey 8.4 mm	Foil/Braid 22 AWG	Drag chain thin cable -10~80°C	DN32

M8

M12

7/8"

M16

M23

阀式连接器

分支器&分线盒

E-Net & P-Net

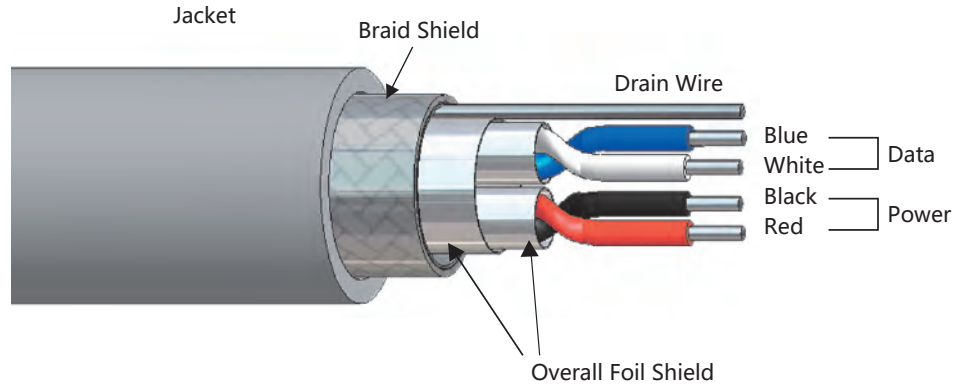
Profibus-DP

DeviceNet

CC-LINK

DeviceNet Thick Cable Specifications

Commonly used DeviceNet™ Branch network, or in Route for maximum distance of 100m



Technical data

Cable Type No.	Power wire		Data wire		Out Jacket Material Color Nominal O.D.	Shields Type Drain Wire	Features	Cable Code
	AWG Color Code	DCR/(1000 feet) Insulation	AWG Color Code	DCR/(1000 feet) Insulation				
19810042	2×16 AWG BK/RD	13.7 Ohm/km PVC	2×18 AWG BU/WH	23.2 Ohm/km PE	PVC/Grey 12 mm	Foil/Braid 22 AWG	Thick cable -20~75°C	DN79
19810044	2×16 AWG BK/RD	10.9 Ohm/km PVC	2×18 AWG BU/WH	21.8 Ohm/km PE	PVC/Grey 11.5 mm	Foil/Braid 22 AWG	Drag chain Thick cable -20~80°C	DN27

M8

M12

7/8"

M16

M23

分支器 & 分线盒 阀式连接器

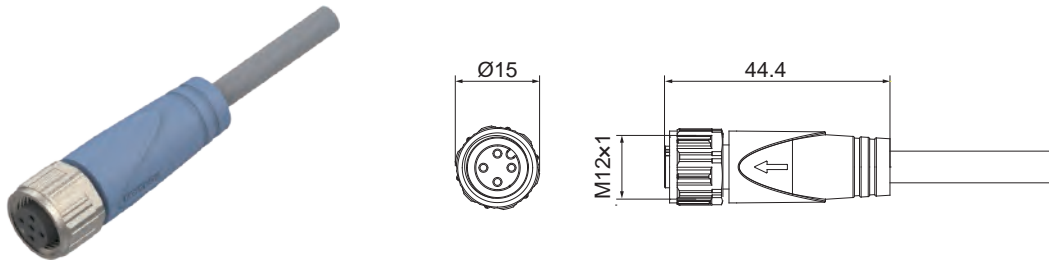
E-Net & P-Net

Profibus-DP

DeviceNet

CC-LINK

M12 Female, DeviceNet thin cable pre-moulding connector, Anti-vibration



Technical data

- Plug body: TPU/Blue
- Coupling nut: Zinc/Nickel-plated
- Contact carrier: TPU+GF/Black
- Pin: Brass/Gold-plated
- O-ring: FPM/FKM
- Insulation resistance: $\geq 100M\Omega$
- Forward resistance: $\leq 5m\Omega$
- Degree of pollution: 3
- Ambient temperature: $-25\sim +85^{\circ}C$
- Degree of protection: IP67
- Plug: M12×1
- Coding: A-CODE
- Insertion/withdrawal cycles: ≥ 100
- Standards: IEC 61076-2-101
- Torque: 0.4 Nm (M12 Plug connector)
- Cable: Refer to cable specification for detailed data

Key Commercial Data

- Weight: 10.3g (excluding cable)
- Packing unit: 2M/10PCS/Bag, 5M/5PCS/Bag, 10M/1PCS/Bag
Small package (200×150×100) , Medium (330×250×150) , Large (400×300×230) mm

Type No.	ID No.	Length	Angle	Coding	Current	Voltage	Wire gauge	Pinout	Wire colors
EAF5-2/DN10	10120095	2M	Straight	A-CODE	4A	250V	2×22AWG+2×23AWG+Shield DeviceNet thin cable Grey PVC, OD=6.8 No.: 19810000		1.Shield 2.RD(V+) 3.BK(V-) 4.WH(CAN_H) 5.BU(CAN_L)
EAF5-5/DN10	10120096	5M							
EAF5-10/DN10	10120097	10M							
EAF5-2/DN32	10120098	2M	Straight	A-CODE	4A	250V	2×22AWG+2×23AWG+Shield DeviceNet thin cable drag chain Grey PVC, OD=6.8 No.: 19810001		1.Shield 2.RD(V+) 3.BK(V-) 4.WH(CAN_H) 5.BU(CAN_L)
EAF5-5/DN32	10120099	5M							
EAF5-10/DN32	10120100	10M							

* Standard cable lengths are 2/5/10M, Consult factory for other lengths *

M8

M12

7/8"

M16

M23

E-Net & P-Net 分支器&分线盒 阀式连接器

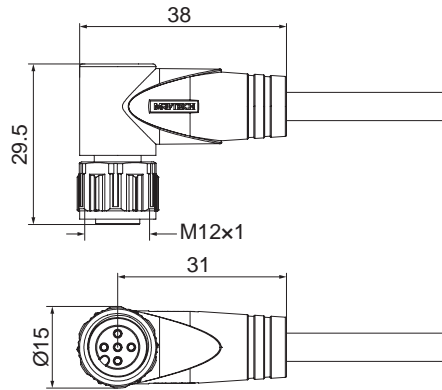
Profibus-DP

E-Net & P-Net

DeviceNet

CC-LINK

M12 Right angle female, DeviceNet thin cable pre-moulding connector, Anti-vibration



Technical data

- Plug body: TPU/Blue
- Coupling nut: Zinc/Nickel-plated
- Contact carrier: TPU+GF/Black
- Pin: Brass/Gold-plated
- O-ring: FPM/FKM
- Insulation resistance: $\geq 100M\Omega$
- Forward resistance: $\leq 5m\Omega$
- Degree of pollution: 3
- Ambient temperature: $-25\sim +85^{\circ}C$
- Degree of protection: IP67
- Plug: M12x1
- Coding: A-CODE
- Insertion/withdrawal cycles: ≥ 100
- Standards: IEC 61076-2-101
- Torque: 0.4 Nm (M12 Plug connector)
- Cable: Refer to cable specification for detailed data

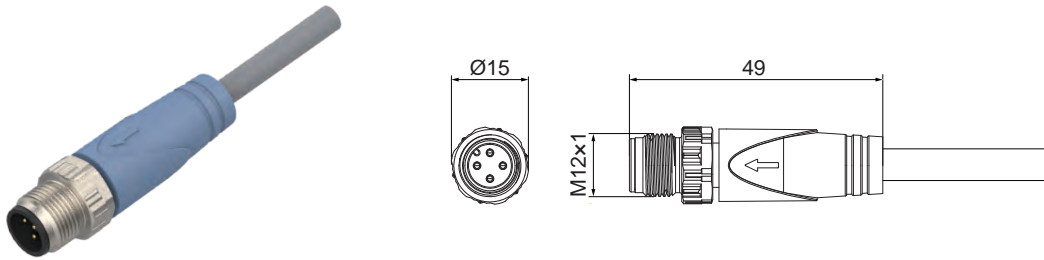
Key Commercial Data

- Weight: 11.3g (excluding cable)
- Packing unit: 2M/10PCS/Bag, 5M/5PCS/Bag, 10M/1PCS/Bag
Small package (200×150×100) , Medium (330×250×150) , Large (400×300×230) mm

Type No.	ID No.	Length	Angle	Coding	Current	Voltage	Wire gauge	Pinout	Wire colors
EWA5-2/DN10	10120192	2M	Right angle	A-CODE	4A	250V	2×22AWG+2×23AWG+Shield DeviceNet thin cable Grey PVC, OD=6.8 No.: 19810000		1.Shield 2.RD(V+) 3.BK(V-) 4.WH(CAN_H) 5.BU(CAN_L)
EWA5-5/DN10	10120193	5M							
EWA5-10/DN10	10120194	10M							
EWA5-2/DN32	10120195	2M	Right angle	A-CODE	4A	250V	2×22AWG+2×23AWG+Shield DeviceNet thin cable drag chain Grey PVC, OD=6.8 No.: 19810001		1.Shield 2.RD(V+) 3.BK(V-) 4.WH(CAN_H) 5.BU(CAN_L)
EWA5-5/DN32	10120196	5M							
EWA5-10/DN32	10120197	10M							

* Standard cable lengths are 2/5/10M, Consult factory for other lengths *

M12 Male, DeviceNet thin cable pre-moulding connector, Anti-vibration



Technical data

- Plug body: TPU/Blue
- Coupling nut: Zinc/Nickel-plated
- Contact carrier: TPU+GF/Black
- Pin: Brass/Gold-plated
- O-ring: FPM/FKM
- Insulation resistance: $\geq 100M\Omega$
- Forward resistance: $\leq 5m\Omega$
- Degree of pollution: 3
- Ambient temperature: $-25\sim +85^{\circ}C$
- Degree of protection: IP67
- Plug: M12×1
- Coding: A-CODE
- Insertion/withdrawal cycles: ≥ 100
- Standards: IEC 61076-2-101
- Torque: 0.4 Nm (M12 Plug connector)
- Cable: Refer to cable specification for detailed data

Key Commercial Data

- Weight: 11.5g (excluding cable)
- Packing unit: 2M/10PCS/Bag, 5M/5PCS/Bag, 10M/1PCS/Bag
Small package (200×150×100), Medium (330×250×150), Large (400×300×230) mm

Type No.	ID No.	Length	Angle	Coding	Current	Voltage	Wire gauge	Pinout	Wire colors
EAM5-2/DN10	10120101	2M	Straight	A-CODE	4A	250V	2×22AWG+2×23AWG+Shield DeviceNet thin cable Grey PVC, OD=6.8 No.: 19810000		1.Shield 2.RD(V+) 3.BK(V-) 4.WH(CAN_H) 5.BU(CAN_L)
EAM5-5/DN10	10120102	5M							
EAM5-10/DN10	10120103	10M							
EAM5-2/DN32	10120104	2M	Straight	A-CODE	4A	250V	2×22AWG+2×23AWG+Shield DeviceNet thin cable drag chain Grey PVC, OD=6.8 No.: 19810001		1.Shield 2.RD(V+) 3.BK(V-) 4.WH(CAN_H) 5.BU(CAN_L)
EAM5-5/DN32	10120105	5M							
EAM5-10/DN32	10120106	10M							

* Standard cable lengths are 2/5/10M, Consult factory for other lengths *

M8

M12

7/8"

M16

M23

E-Net & P-Net 分支器 & 分线盒 阀式连接器

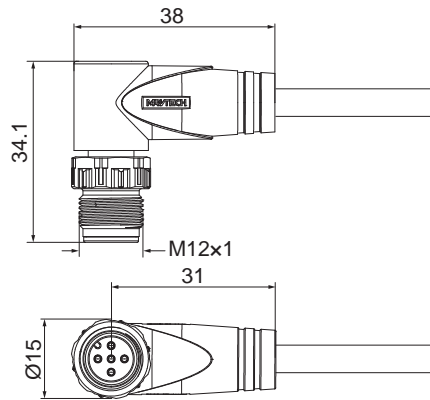
Profibus-DP

E-Net & P-Net

DeviceNet

CC-LINK

M12 Right angle male, DeviceNet thin cable pre-moulding connector, Anti-vibration



Technical data

- Plug body: TPU/Blue
- Coupling nut: Zinc/Nickel-plated
- Contact carrier: TPU+GF/Black
- Pin: Brass/Gold-plated
- O-ring: FPM/FKM
- Insulation resistance: $\geq 100M\Omega$
- Forward resistance: $\leq 5m\Omega$
- Degree of pollution: 3
- Ambient temperature: $-25\sim +85^{\circ}C$
- Degree of protection: IP67
- Plug: M12x1
- Coding: A-CODE
- Insertion/withdrawal cycles: ≥ 100
- Standards: IEC 61076-2-101
- Torque: 0.4 Nm (M12 Plug connector)
- Cable: Refer to cable specification for detailed data

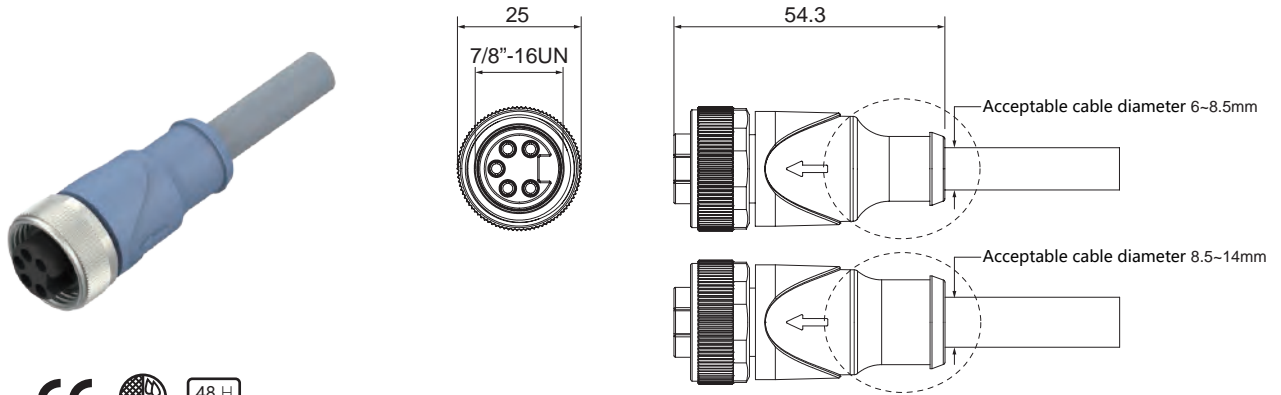
Key Commercial Data

- Weight: 12.5g (excluding cable)
- Packing unit: 2M/10PCS/Bag, 5M/5PCS/Bag, 10M/1PCS/Bag
Small package (200x150x100), Medium (330x250x150), Large (400x300x230) mm

Type No.	ID No.	Length	Angle	Coding	Current	Voltage	Wire gauge	Pinout	Wire colors
EWAM5-2/DN10	10120198	2M	Right angle	A-CODE	4A	250V	2x22AWG+2x23AWG+Shield DeviceNet thin cable Grey PVC, OD=6.8 No.: 19810000		1.Shield 2.RD(V+) 3.BK(V-) 4.WH(CAN_H) 5.BU(CAN_L)
EWAM5-5/DN10	10120199	5M							
EWAM5-10/DN10	10120200	10M							
EWAM5-2/DN32	10120201	2M	Right angle	A-CODE	4A	250V	2x22AWG+2x23AWG+Shield DeviceNet thin cable drag chain Grey PVC, OD=6.8 No.: 19810001		1.Shield 2.RD(V+) 3.BK(V-) 4.WH(CAN_H) 5.BU(CAN_L)
EWAM5-5/DN32	10120202	5M							
EWAM5-10/DN32	10120203	10M							

* Standard cable lengths are 2/5/10M, Consult factory for other lengths *

7/8" Female, DeviceNet pre-moulding connector, Anti-vibration



Technical data

- Plug body: TPU/Blue
- Coupling nut: Zinc/Nickel-plated
- Contact carrier: TPU/Black
- Pin: Brass/Gold-plated
- O-ring: FPM/FKM
- Insulation resistance: $\geq 100M\Omega$
- Forward resistance: $\leq 5m\Omega$
- Degree of pollution: 3
- Ambient temperature: $-25\sim +85^{\circ}C$
- Degree of protection: IP67
- Plug: 7/8"-16UN
- Insertion/withdrawal cycles: ≥ 100
- Torque: 1.5 Nm (7/8 Plug connector)
- Cable: Refer to cable specification for detailed data

Key Commercial Data

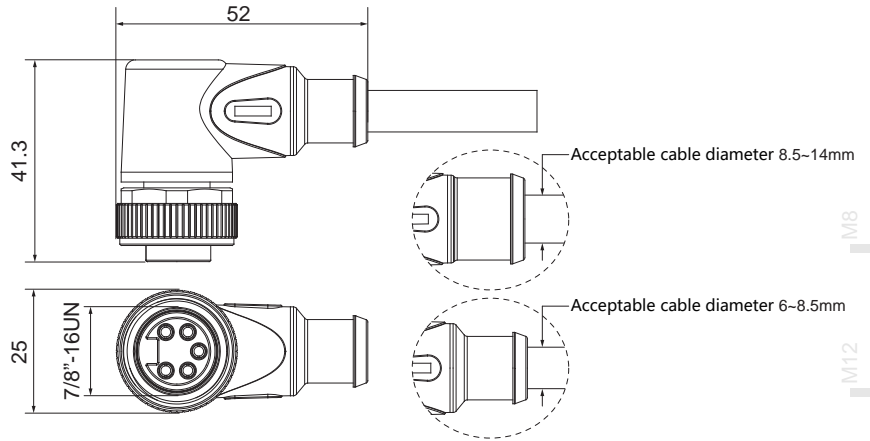
- Packing unit: 1PCS/Bag
Small package (200×150×100) , Medium (330×250×150) , Large (400×300×230) mm

Type No.	ID No.	Length	Angle	Current	Voltage	Wire gauge	Pinout	Wire colors
MF5-2/DN10	10250058	2M	Straight	4A	300V	2×22AWG+2×23AWG+Shield DeviceNet thin cable Grey PVC, OD=6.9 No.: 19810000		1.Shield 2.RD(V+) 3.BK(V-) 4.WH(CAN_H) 5.BU(CAN_L)
MF5-5/DN10	10250059	5M						
MF5-10/DN10	10250060	10M						
MF5-2/DN32	10250061	2M	Straight	4A	300V	2×22AWG+2×23AWG+Shield DeviceNet thin cable drag chain Grey TPE, OD=8.4 No.: 19810040		1.Shield 2.RD(V+) 3.BK(V-) 4.WH(CAN_H) 5.BU(CAN_L)
MF5-5/DN32	10250062	5M						
MF5-10/DN32	10250063	10M						
MF5-2/DN79	10250064	2M	Straight	9A	600V	2×16AWG+2×18AWG+Shield DeviceNet thick cable Grey PVC,OD=12, No.: 19810042		1.Shield 2.RD(V+) 3.BK(V-) 4.WH(CAN_H) 5.BU(CAN_L)
MF5-5/DN79	10250065	5M						
MF5-10/DN79	10250066	10M						
MF5-2/DN27	10250067	2M	Straight	9A	600V	2×16AWG+2×18AWG+Shield DeviceNet thick cable drag chain Grey PVC, OD=11.5 No.: 19810044		1.Shield 2.RD(V+) 3.BK(V-) 4.WH(CAN_H) 5.BU(CAN_L)
MF5-5/DN27	10250068	5M						
MF5-10/DN27	10250069	10M						

* Standard cable lengths are 2/5/10M, Consult factory for other lengths *

M8 M12 7/8" M16 M23 Profibus-DP E-Net & P-Net 分支器 & 分线盒 阀式连接器 DeviceNet CC-LINK

7/8" Right angle female, DeviceNet pre-moulding connector, Anti-vibration



Technical data

- Plug body: TPU/Blue
- Coupling nut: Zinc/Nickel-plated
- Contact carrier: TPU/Black
- Pin: Brass/Gold-plated
- O-ring: FPM/FKM
- Insulation resistance: $\geq 100M\Omega$
- Forward resistance: $\leq 5m\Omega$
- Degree of pollution: 3
- Ambient temperature: $-25\sim +85^{\circ}C$
- Degree of protection: IP67
- Plug: 7/8"-16UN
- Insertion/withdrawal cycles: ≥ 100
- Torque: 1.5 Nm (7/8 Plug connector)
- Cable: Refer to cable specification for detailed data

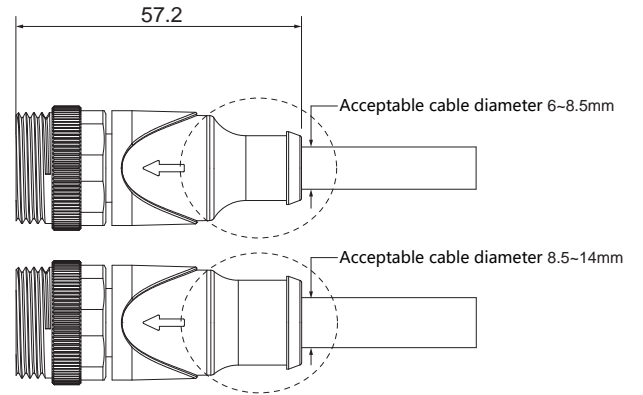
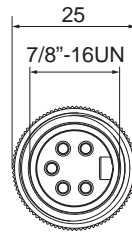
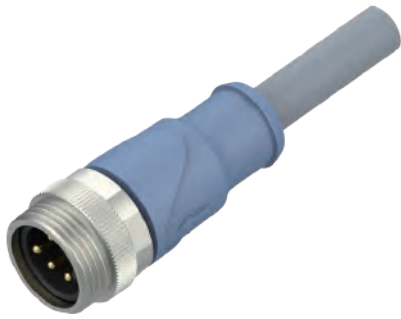
Key Commercial Data

- Packing unit: 1PCS/Bag
- Small package (200×150×100) , Medium (330×250×150) , Large (400×300×230) mm

Type No.	ID No.	Length	Angle	Current	Voltage	Wire gauge	Pinout	Wire colors
MWF5-2/DN10	10250070	2M	Right angle	4A	300V	2×22AWG+2×23AWG+Shield DeviceNet thin cable Grey PVC, OD=6.9 No.: 19810000		1.Shield 2.RD(V+) 3.BK(V-) 4.WH(CAN_H) 5.BU(CAN_L)
MWF5-5/DN10	10250071	5M						
MWF5-10/DN10	10250072	10M						
MWF5-2/DN32	10250073	2M	Right angle	4A	300V	2×22AWG+2×23AWG+Shield DeviceNet thin cable drag chain Grey TPE, OD=8.4 No.: 19810040		1.Shield 2.RD(V+) 3.BK(V-) 4.WH(CAN_H) 5.BU(CAN_L)
MWF5-5/DN32	10250074	5M						
MWF5-10/DN32	10250075	10M						
MWF5-2/DN79	10250076	2M	Right angle	9A	600V	2×16AWG+2×18AWG+Shield DeviceNet thick cable Grey PVC,OD=12, No.: 19810042		1.Shield 2.RD(V+) 3.BK(V-) 4.WH(CAN_H) 5.BU(CAN_L)
MWF5-5/DN79	10250077	5M						
MWF5-10/DN79	10250078	10M						
MWF5-2/DN27	10250079	2M	Right angle	9A	600V	2×16AWG+2×18AWG+Shield DeviceNet thick cable drag chain Grey PVC, OD=11.5 No.: 19810044		1.Shield 2.RD(V+) 3.BK(V-) 4.WH(CAN_H) 5.BU(CAN_L)
MWF5-5/DN27	10250080	5M						
MWF5-10/DN27	10250081	10M						

* Standard cable lengths are 2/5/10M, Consult factory for other lengths *

7/8" Male, DeviceNet pre-moulding connector, Anti-vibration



Technical data

- Plug body: TPU/Blue
- Coupling nut: Zinc/Nickel-plated
- Contact carrier: TPU/Black
- Pin: Brass/Gold-plated
- O-ring: FPM/FKM
- Insulation resistance: $\geq 100M\Omega$
- Forward resistance: $\leq 5m\Omega$
- Degree of pollution: 3
- Ambient temperature: $-25\sim +85^{\circ}C$
- Degree of protection: IP67
- Plug: 7/8"-16UN
- Insertion/withdrawal cycles: ≥ 100
- Torque: 1.5 Nm (7/8 Plug connector)
- Cable: Refer to cable specification for detailed data

Key Commercial Data

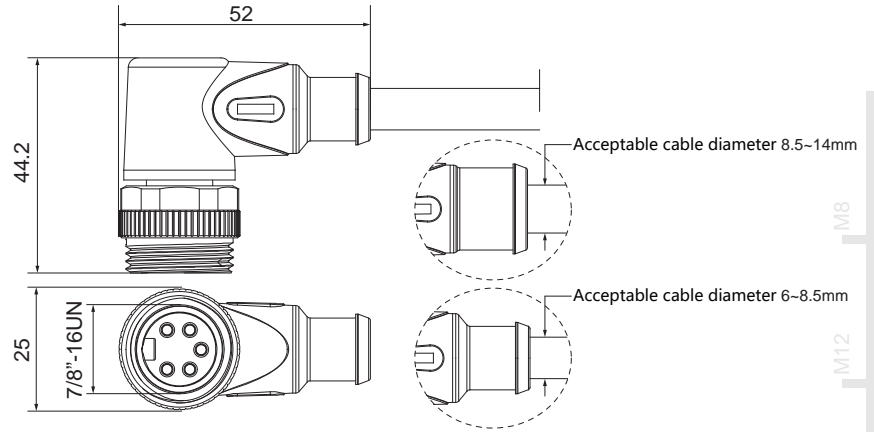
- Packing unit: 1PCS/Bag
Small package (200×150×100) , Medium (330×250×150) , Large (400×300×230) mm

Type No.	ID No.	Length	Angle	Current	Voltage	Wire gauge	Pinout	Wire colors
MM5-2/DN10	10250082	2M	Straight	4A	300V	2×22AWG+2×23AWG+Shield DeviceNet thin cable Grey PVC, OD=6.9 No.: 19810000		1.Shield 2.RD(V+) 3.BK(V-) 4.WH(CAN_H) 5.BU(CAN_L)
MM5-5/DN10	10250083	5M						
MM5-10/DN10	10250084	10M						
MM5-2/DN32	10250085	2M	Straight	4A	300V	2×22AWG+2×23AWG+Shield DeviceNet thin cable drag chain Grey TPE, OD=8.4 No.: 19810040		1.Shield 2.RD(V+) 3.BK(V-) 4.WH(CAN_H) 5.BU(CAN_L)
MM5-5/DN32	10250086	5M						
MM5-10/DN32	10250087	10M						
MM5-2/DN79	10250088	2M	Straight	9A	600V	2×16AWG+2×18AWG+Shield DeviceNet thick cable Grey PVC,OD=12, No.: 19810042		1.Shield 2.RD(V+) 3.BK(V-) 4.WH(CAN_H) 5.BU(CAN_L)
MM5-5/DN79	10250089	5M						
MM5-10/DN79	10250090	10M						
MM5-2/DN27	10250091	2M	Straight	9A	600V	2×16AWG+2×18AWG+Shield DeviceNet thick cable drag chain Grey PVC, OD=11.5 No.: 19810044		1.Shield 2.RD(V+) 3.BK(V-) 4.WH(CAN_H) 5.BU(CAN_L)
MM5-5/DN27	10250092	5M						
MM5-10/DN27	10250093	10M						

* Standard cable lengths are 2/5/10M, Consult factory for other lengths *

M8 M12 7/8" M16 M23 Profibus-DP E-Net & P-Net 分支器&分线盒 阀式连接器 DeviceNet CC-LINK

7/8" Right angle male, DeviceNet pre-moulding connector, Anti-vibration



Technical data

- Plug body: TPU/Blue
- Coupling nut: Zinc/Nickel-plated
- Contact carrier: TPU/Black
- Pin: Brass/Gold-plated
- O-ring: FPM/FKM
- Insulation resistance: $\geq 100M\Omega$
- Forward resistance: $\leq 5m\Omega$
- Degree of pollution: 3
- Ambient temperature: $-25\sim +85^{\circ}C$
- Degree of protection: IP67
- Plug: 7/8"-16UN
- Insertion/withdrawal cycles: ≥ 100
- Torque: 1.5 Nm (7/8 Plug connector)
- Cable: Refer to cable specification for detailed data

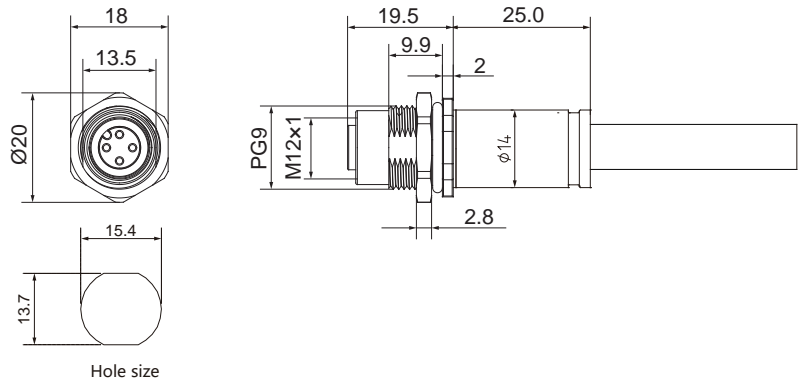
Key Commercial Data

- Packing unit: 1PCS/Bag
Small package (200×150×100) , Medium (330×250×150) , Large (400×300×230) mm

Type No.	ID No.	Length	Angle	Current	Voltage	Wire gauge	Pinout	Wire colors
MWM5-2/DN10	10250094	2M	Right angle	4A	300V	2×22AWG+2×23AWG+Shield DeviceNet thin cable Grey PVC, OD=6.9 No.: 19810000		1.Shield 2.RD(V+) 3.BK(V-) 4.WH(CAN_H) 5.BU(CAN_L)
MWM5-5/DN10	10250095	5M						
MWM5-10/DN10	10250096	10M						
MWM5-2/DN32	10250097	2M	Right angle	4A	300V	2×22AWG+2×23AWG+Shield DeviceNet thin cable drag chain Grey TPE, OD=8.4 No.: 19810040		1.Shield 2.RD(V+) 3.BK(V-) 4.WH(CAN_H) 5.BU(CAN_L)
MWM5-5/DN32	10250098	5M						
MWM5-10/DN32	10250099	10M						
MWM5-2/DN79	10250100	2M	Right angle	9A	600V	2×16AWG+2×18AWG+Shield DeviceNet thick cable Grey PVC,OD=12, No.: 19810042		1.Shield 2.RD(V+) 3.BK(V-) 4.WH(CAN_H) 5.BU(CAN_L)
MWM5-5/DN79	10250101	5M						
MWM5-10/DN79	10250102	10M						
MWM5-2/DN27	10250103	2M	Right angle	9A	600V	2×16AWG+2×18AWG+Shield DeviceNet thick cable drag chain Grey PVC, OD=11.5 No.: 19810044		1.Shield 2.RD(V+) 3.BK(V-) 4.WH(CAN_H) 5.BU(CAN_L)
MWM5-5/DN27	10250104	5M						
MWM5-10/DN27	10250105	10M						

* Standard cable lengths are 2/5/10M, Consult factory for other lengths *

M12 Female, Pre-moulding receptacle connector, Rear mounting, DeviceNet thin cable



Technical data

- Housing material: Zinc/Nickel-plated
- Coupling nut: Zinc/Nickel-plated
- Contact carrier: TPU+GF/Black
- Pin: Brass/Gold-plated
- O-ring: FPM/FKM
- Insulation resistance: $\geq 100M\Omega$
- Forward resistance: $\leq 5m\Omega$
- Degree of pollution: 3
- Ambient temperature: $-25\sim +85^{\circ}C$
- Degree of protection: IP67
- Plug: M12x1
- Coding: A-CODE
- Insertion/withdrawal cycles: ≥ 100
- Standards: IEC 61076-2-101
- Torque: 3~4 Nm (mounting side)
- Cable: Refer to cable specification for detailed data

Key Commercial Data

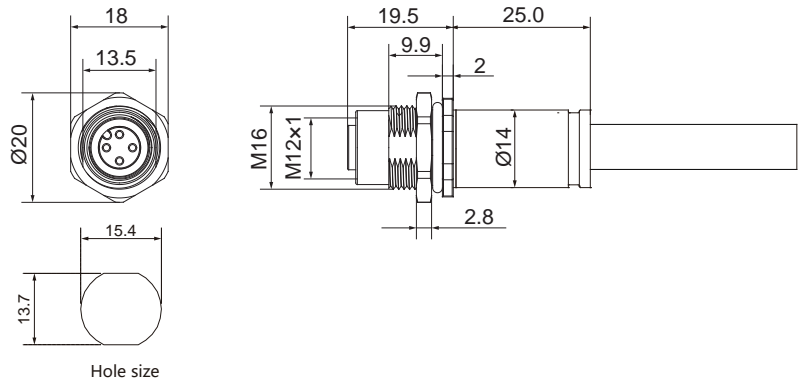
- Packing unit: 2M/10PCS/Bag, 5M/5PCS/Bag, 10M/1PCS/Bag
- Small package (200x150x100), Medium (330x250x150), Large (400x300x230) mm

Type No.	ID No.	Length	Coding	Current	Voltage	Wire gauge	Pinout	Wire colors
FEAF5R-2/DN10	12120149	2M	A-CODE	4A	250V	2x22AWG+2x23AWG+Shield DeviceNet thin cable Grey PVC, OD=6.8 No.: 19810000		1.Shield 2.RD(V+) 3.BK(V-) 4.WH(CAN_H) 5.BU(CAN_L)
FEAF5R-5/DN10	12120150	5M						
FEAF5R-10/DN10	12120151	10M						
FEAF5R-2/DN32	12120152	2M	A-CODE	4A	250V	2x22AWG+2x23AWG+Shield DeviceNet thin cable drag chain Grey TPE, OD=8.4 No.: 19810040		1.Shield 2.RD(V+) 3.BK(V-) 4.WH(CAN_H) 5.BU(CAN_L)
FEAF5R-5/DN32	12120153	5M						
FEAF5R-10/DN32	12120154	10M						

* M12 pre-moulding receptacle connector rear mount DeviceNet thin cable *

M8
M12
7/8"
M16
M23
Profibus-DP
E-Net & P-Net
分支器 & 分线盒
阀式连接器
DeviceNet
CC-LINK

M12 Female, Pre-moulding receptacle connector, Rear mounting, DeviceNet thin cable



Technical data

- Housing material: Zinc/Nickel-plated
- Coupling nut: Zinc/Nickel-plated
- Contact carrier: TPU+GF/Black
- Pin: Brass/Gold-plated
- O-ring: FPM/FKM
- Insulation resistance: $\geq 100M\Omega$
- Forward resistance: $\leq 5m\Omega$
- Degree of pollution: 3
- Ambient temperature: $-25\sim +85^{\circ}C$
- Degree of protection: IP67
- Plug: M12x1
- Coding: A-CODE
- Insertion/withdrawal cycles: ≥ 100
- Standards: IEC 61076-2-101
- Torque: 3~4 Nm (mounting side)
- Cable: Refer to cable specification for detailed data

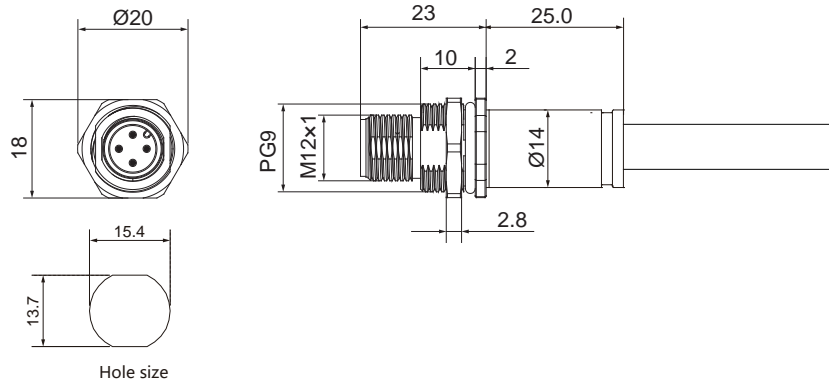
Key Commercial Data

- Packing unit: 2M/10PCS/Bag, 5M/5PCS/Bag, 10M/1PCS/Bag
- Small package (200x150x100), Medium (330x250x150), Large (400x300x230) mm

Type No.	ID No.	Length	Coding	Current	Voltage	Wire gauge	Pinout	Wire colors
FEAF5R-2/M16/DN10	12120155	2M	A-CODE	4A	250V	2x22AWG+2x23AWG+Shield DeviceNet thin cable Grey PVC, OD=6.8 No.: 19810000		1.Shield 2.RD(V+) 3.BK(V-) 4.WH(CAN_H) 5.BU(CAN_L)
FEAF5R-5/M16/DN10	12120156	5M						
FEAF5R-10/M16/DN10	12120157	10M						
FEAF5R-2/M16/DN32	12120158	2M	A-CODE	4A	250V	2x22AWG+2x23AWG+Shield DeviceNet thin cable drag chain Grey TPE, OD=8.4 No.: 19810040		1.Shield 2.RD(V+) 3.BK(V-) 4.WH(CAN_H) 5.BU(CAN_L)
FEAF5R-5/M16/DN32	12120159	5M						
FEAF5R-10/M16/DN32	12120160	10M						

* M12 pre-moulding receptacle connector rear mount DeviceNet thin cable *

M12 Male, Pre-moulding receptacle connector, Rear mounting, DeviceNet thin cable



Technical data

- Housing material: Zinc/Nickel-plated
- Coupling nut: Zinc/Nickel-plated
- Contact carrier: TPU+GF/Black
- Pin: Brass/Gold-plated
- O-ring: FPM/FKM
- Insulation resistance: $\geq 100M\Omega$
- Forward resistance: $\leq 5m\Omega$
- Degree of pollution: 3
- Ambient temperature: $-25\sim +85^{\circ}C$
- Degree of protection: IP67
- Plug: M12x1
- Coding: A-CODE
- Insertion/withdrawal cycles: ≥ 100
- Standards: IEC 61076-2-101
- Torque: 3~4 Nm (mounting side)
- Cable: Refer to cable specification for detailed data

Key Commercial Data

- Packing unit: 2M/10PCS/Bag, 5M/5PCS/Bag, 10M/1PCS/Bag
- Small package (200×150×100), Medium (330×250×150), Large (400×300×230) mm

Type No.	ID No.	Length	Coding	Current	Voltage	Wire gauge	Pinout	Wire colors
FEAM5R-2/DN10	12120161	2M	A-CODE	4A	250V	2×22AWG+2×23AWG+Shield DeviceNet thin cable Grey PVC, OD=6.8 No.: 19810000		1.Shield 2.RD(V+) 3.BK(V-) 4.WH(CAN_H) 5.BU(CAN_L)
FEAM5R-5/DN10	12120162	5M						
FEAM5R-10/DN10	12120163	10M						
FEAM5R-2/DN32	12120164	2M	A-CODE	4A	250V	2×22AWG+2×23AWG+Shield DeviceNet thin cable drag chain Grey TPE, OD=8.4 No.: 19810040		1.Shield 2.RD(V+) 3.BK(V-) 4.WH(CAN_H) 5.BU(CAN_L)
FEAM5R-5/DN32	12120165	5M						
FEAM5R-10/DN32	12120166	10M						

* M12 pre-moulding receptacle connector rear mount DeviceNet thin cable *

M8

M12

7/8"

M16

M23

分支器及分线盒

阀式连接器

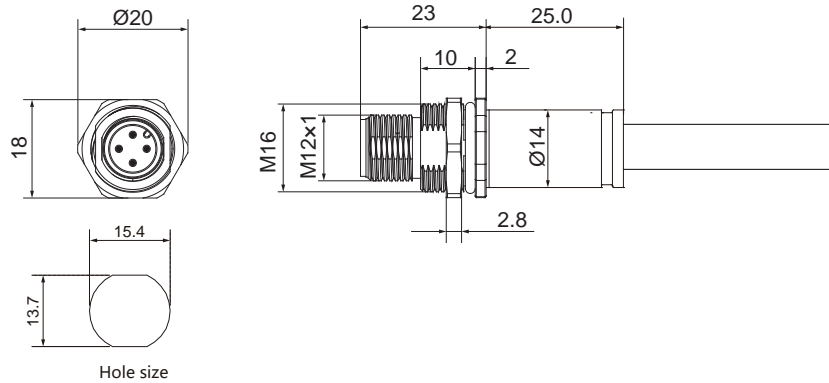
E-Net & P-Net

Profibus-DP

DeviceNet

CC-LINK

M12 Male, Pre-moulding receptacle connector, Rear mounting, DeviceNet thin cable



Technical data

- Housing material: Zinc/Nickel-plated
- Coupling nut: Zinc/Nickel-plated
- Contact carrier: TPU+GF/Black
- Pin: Brass/Gold-plated
- O-ring: FPM/FKM
- Insulation resistance: $\geq 100M\Omega$
- Forward resistance: $\leq 5m\Omega$
- Degree of pollution: 3
- Ambient temperature: $-25\sim +85^{\circ}C$
- Degree of protection: IP67
- Plug: M12x1
- Coding: A-CODE
- Insertion/withdrawal cycles: ≥ 100
- Standards: IEC 61076-2-101
- Torque: 3~4 Nm (mounting side)
- Cable: Refer to cable specification for detailed data

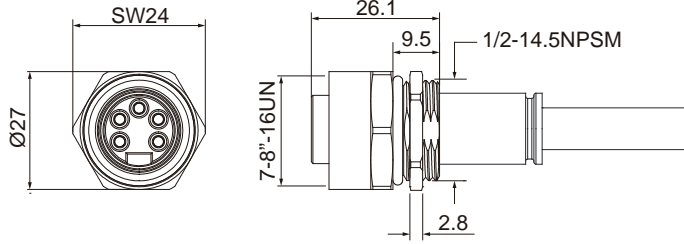
Key Commercial Data

- Packing unit: 2M/10PCS/Bag, 5M/5PCS/Bag, 10M/1PCS/Bag
Small package (200×150×100), Medium (330×250×150), Large (400×300×230) mm

Type No.	ID No.	Length	Coding	Current	Voltage	Wire gauge	Pinout	Wire colors
FEAM5R-2/M16/DN10	12120167	2M	A-CODE	4A	250V	2×22AWG+2×23AWG+Shield DeviceNet thin cable Grey PVC, OD=6.8 No.: 19810000		1.Shield 2.RD(V+) 3.BK(V-) 4.WH(CAN_H) 5.BU(CAN_L)
FEAM5R-5/M16/DN10	12120168	5M						
FEAM5R-10/M16/DN10	12120169	10M						
FEAM5R-2/M16/DN32	12120170	2M	A-CODE	4A	250V	2×22AWG+2×23AWG+Shield DeviceNet thin cable drag chain Grey TPE, OD=8.4 No.: 19810040		1.Shield 2.RD(V+) 3.BK(V-) 4.WH(CAN_H) 5.BU(CAN_L)
FEAM5R-5/M16/DN32	12120171	5M						
FEAM5R-10/M16/DN32	12120172	10M						

* M12 pre-moulding receptacle connector rear mount DeviceNet thin cable *

7/8" Female, Pre-moulding receptacle connector, Front mounting, DeviceNet



Technical data

- Housing material: Zinc/Nickel-plated
- Coupling nut: Zinc/Nickel-plated
- Contact carrier: TPU/Black
- Pin: Brass/Gold-plated
- O-ring: FPM/FKM
- Insulation resistance: $\geq 100M\Omega$
- Forward resistance: $\leq 5m\Omega$
- Degree of pollution: 3
- Ambient temperature: $-25\sim +85^{\circ}C$
- Degree of protection: IP67
- Plug: 7/8"-16UN
- Insertion/withdrawal cycles: ≥ 100
- Torque: 24Nm (mounting side)
- Cable: Refer to cable specification for detailed data

Key Commercial Data

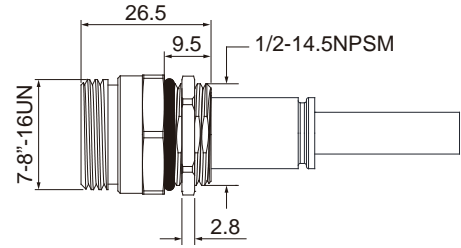
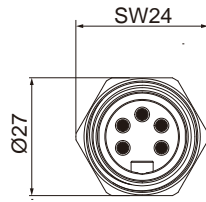
- Packing unit: 1PCS/Bag
Small package (200×150×100) , Medium (330×250×150) , Large (400×300×230) mm

Type No.	ID No.	Length	Current	Voltage	Wire gauge	Pinout	Wire colors
FMF5F-2/14.5NPSM/DN10	12250027	2M	4A	250V	2×22AWG+2×23AWG+Shield DeviceNet thin cable Grey PVC, OD=6.8 No.: 19810000		1.Shield 2.RD(V+) 3.BK(V-) 4.WH(CAN_H) 5.BU(CAN_L)
FMF5F-5/14.5NPSM/DN10	12250028	5M					
FMF5F-10/14.5NPSM/DN10	12250029	10M					
FMF5F-2/14.5NPSM/DN32	12250030	2M	4A	250V	2×22AWG+2×23AWG+Shield DeviceNet thin cable drag chain Grey TPE, OD=8.4 No.: 19810040		1.Shield 2.RD(V+) 3.BK(V-) 4.WH(CAN_H) 5.BU(CAN_L)
FMF5F-5/14.5NPSM/DN32	12250031	5M					
FMF5F-10/14.5NPSM/DN32	12250032	10M					
FMF5F-2/14.5NPSM/DN79	12250033	2M	9A	600V	2×16AWG+2×18AWG+Shield DeviceNet thick cable Grey PVC,OD=12, No.: 19810042		1.Shield 2.RD(V+) 3.BK(V-) 4.WH(CAN_H) 5.BU(CAN_L)
FMF5F-5/14.5NPSM/DN79	12250034	5M					
FMF5F-10/14.5NPSM/DN79	12250035	10M					
FMF5F-2/14.5NPSM/DN27	12250036	2M	9A	600V	2×16AWG+2×18AWG+Shield DeviceNet thick cable drag chain Grey PVC, OD=11.5 No.: 19810044		1.Shield 2.RD(V+) 3.BK(V-) 4.WH(CAN_H) 5.BU(CAN_L)
FMF5F-5/14.5NPSM/DN27	12250037	5M					
FMF5F-10/14.5NPSM/DN27	12250038	10M					

* 7/8"-16UN front mount receptacle connector, with wire, Standard cable lengths are 0.5M, Consult factory for other lengths *

M8 M12 7/8" M16 M23 Profibus-DP E-Net & P-Net 分支器&分线盒 阀式连接器 DeviceNet CC-LINK

7/8" Male, Pre-moulding receptacle connector, Front mounting, DeviceNet



Technical data

- Housing material: Zinc/Nickel-plated
- Coupling nut: Zinc/Nickel-plated
- Contact carrier: TPU/Black
- Pin: Brass/Gold-plated
- O-ring: FPM/FKM
- Insulation resistance: $\geq 100M\Omega$
- Forward resistance: $\leq 5m\Omega$
- Degree of pollution: 3
- Ambient temperature: $-25\sim +85^{\circ}C$
- Degree of protection: IP67
- Plug: 7/8"-16UN
- Insertion/withdrawal cycles: ≥ 100
- Torque: 24Nm (mounting side)
- Cable: Refer to cable specification for detailed data

Key Commercial Data

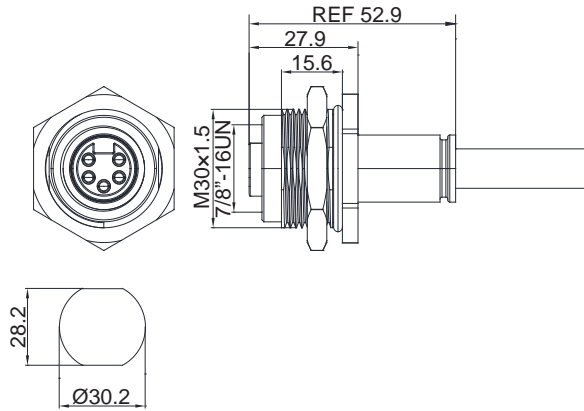
- Packing unit: 1PCS/Bag
- Small package (200×150×100) , Medium (330×250×150) , Large (400×300×230) mm

Type No.	ID No.	Length	Current	Voltage	Wire gauge	Pinout	Wire colors
FMM5F-2/14.5NPSM/DN10	12250051	2M	4A	250V	2×22AWG+2×23AWG+Shield DeviceNet thin cable Grey PVC, OD=6.8 No.: 19810000		1.Shield 2.RD(V+) 3.BK(V-) 4.WH(CAN_H) 5.BU(CAN_L)
FMM5F-5/14.5NPSM/DN10	12250052	5M					
FMM5F-10/14.5NPSM/DN10	12250053	10M					
FMM5F-2/14.5NPSM/DN32	12250054	2M	4A	250V	2×22AWG+2×23AWG+Shield DeviceNet thin cable drag chain Grey TPE, OD=8.4 No.: 19810040		1.Shield 2.RD(V+) 3.BK(V-) 4.WH(CAN_H) 5.BU(CAN_L)
FMM5F-5/14.5NPSM/DN32	12250055	5M					
FMM5F-10/14.5NPSM/DN32	12250056	10M					
FMM5F-2/14.5NPSM/DN79	12250057	2M	9A	600V	2×16AWG+2×18AWG+Shield DeviceNet thick cable Grey PVC,OD=12, No.: 19810042		1.Shield 2.RD(V+) 3.BK(V-) 4.WH(CAN_H) 5.BU(CAN_L)
FMM5F-5/14.5NPSM/DN79	12250058	5M					
FMM5F-10/14.5NPSM/DN79	12250059	10M					
FMM5F-2/14.5NPSM/DN27	12250060	2M	9A	600V	2×16AWG+2×18AWG+Shield DeviceNet thick cable drag chain Grey PVC, OD=11.5 No.: 19810044		1.Shield 2.RD(V+) 3.BK(V-) 4.WH(CAN_H) 5.BU(CAN_L)
FMM5F-5/14.5NPSM/DN27	12250061	5M					
FMM5F-10/14.5NPSM/DN27	12250062	10M					

* 7/8"-16UN pre-moulding receptacle connector, front mount ,DeviceNet *

M8 M12 M16 M23 CC-LINK DeviceNet Profibus-DP E-Net & P-Net 分支器&分线盒 阀式连接器

7/8" Female, Pre-moulding receptacle connector, Rear mounting, DeviceNet



Technical data

- Housing material: Zinc/Nickel-plated
- Coupling nut: Zinc/Nickel-plated
- Contact carrier: TPU/Black
- Pin: Brass/Gold-plated
- O-ring: FPM/FKM
- Insulation resistance: $\geq 100M\Omega$
- Forward resistance: $\leq 5m\Omega$
- Degree of pollution: 3
- Ambient temperature: $-25\sim +85^{\circ}C$
- Degree of protection: IP67
- Plug: 7/8"-16UN
- Insertion/withdrawal cycles: ≥ 100
- Torque: 24Nm (mounting side)
- Cable: Refer to cable specification for detailed data

Key Commercial Data

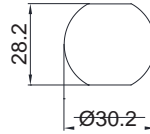
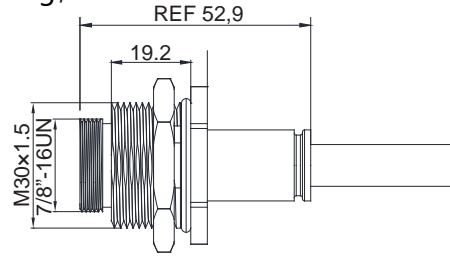
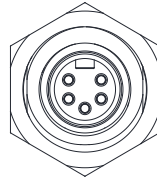
- Packing unit: 1PCS/Bag
Small package (200×150×100) , Medium (330×250×150) , Large (400×300×230) mm

Type No.	ID No.	Length	Current	Voltage	Wire gauge	Pinout	Wire colors
FMF5R-2/M30/DN10	12250039	2M	4A	250V	2×22AWG+2×23AWG+Shield DeviceNet thin cable Grey PVC, OD=6.8 No.: 19810000		1.Shield 2.RD(V+) 3.BK(V-) 4.WH(CAN_H) 5.BU(CAN_L)
FMF5R-5/M30/DN10	12250040	5M					
FMF5R-10/M30/DN10	12250041	10M					
FMF5R-2/M30/DN32	12250042	2M	4A	250V	2×22AWG+2×23AWG+Shield DeviceNet thin cable drag chain Grey TPE, OD=8.4 No.: 19810040		1.Shield 2.RD(V+) 3.BK(V-) 4.WH(CAN_H) 5.BU(CAN_L)
FMF5R-5/M30/DN32	12250043	5M					
FMF5R-10/M30/DN32	12250044	10M					
FMF5R-2/M30/DN79	12250045	2M	9A	600V	2×16AWG+2×18AWG+Shield DeviceNet thick cable Grey PVC,OD=12, No.: 19810042		1.Shield 2.RD(V+) 3.BK(V-) 4.WH(CAN_H) 5.BU(CAN_L)
FMF5R-5/M30/DN79	12250046	5M					
FMF5R-10/M30/DN79	12250047	10M					
FMF5R-2/M30/DN27	12250048	2M	9A	600V	2×16AWG+2×18AWG+Shield DeviceNet thick cable drag chain Grey PVC, OD=11.5 No.: 19810044		1.Shield 2.RD(V+) 3.BK(V-) 4.WH(CAN_H) 5.BU(CAN_L)
FMF5R-5/M30/DN27	12250049	5M					
FMF5R-10/M30/DN27	12250050	10M					

* 7/8"-16UN pre-moulding receptacle connector rear mount DeviceNet *

M8 M12 7/8" M16 M23 Profibus-DP E-Net & P-Net 分支器 & 分线盒 阀式连接器 DeviceNet CC-LINK

7/8" Male, Pre-moulding receptacle connector, Rear mounting, DeviceNet



Technical data

- Housing material: Zinc/Nickel-plated
- Coupling nut: Zinc/Nickel-plated
- Contact carrier: TPU/Black
- Pin: Brass/Gold-plated
- O-ring: FPM/FKM
- Insulation resistance: $\geq 100M\Omega$
- Forward resistance: $\leq 5m\Omega$
- Degree of pollution: 3
- Ambient temperature: $-25\sim+85^{\circ}C$
- Degree of protection: IP67
- Plug: 7/8"-16UN
- Insertion/withdrawal cycles: ≥ 100
- Torque: 24Nm (mounting side)
- Cable: Refer to cable specification for detailed data

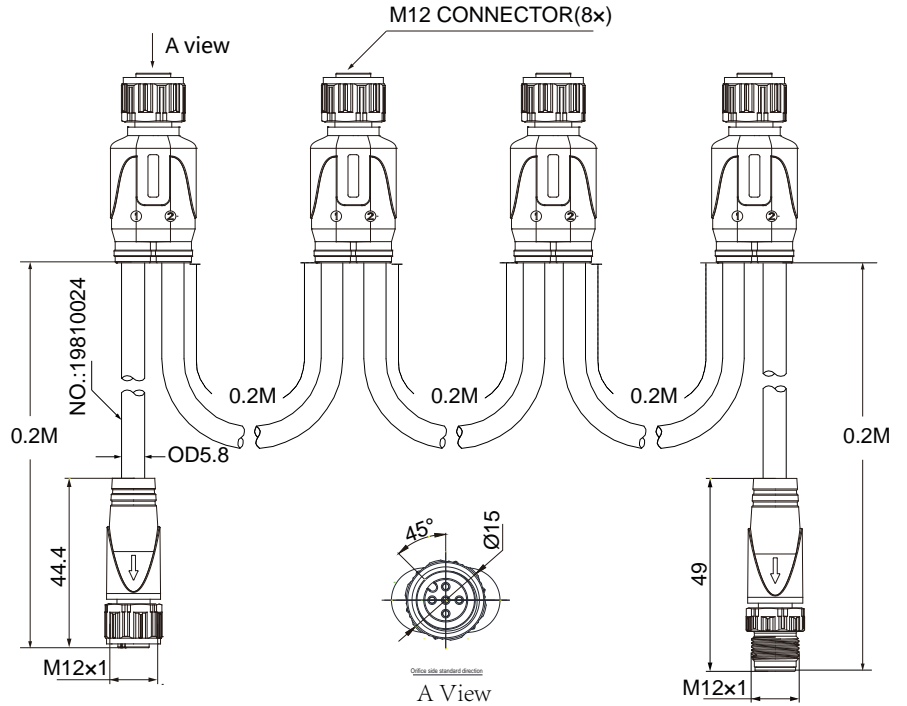
Key Commercial Data

- Packing unit: 1PCS/Bag
- Small package (200×150×100) , Medium (330×250×150) , Large (400×300×230) mm

Type No.	ID No.	Length	Current	Voltage	Wire gauge	Pinout	Wire colors
FMM5R-2/M30/DN10	12250063	2M	4A	250V	2×22AWG+2×23AWG+Shield DeviceNet thin cable Grey PVC, OD=6.8 No.: 19810000		1.Shield 2.RD(V+) 3.BK(V-) 4.WH(CAN_H) 5.BU(CAN_L)
FMM5R-5/M30/DN10	12250064	5M					
FMM5R-10/M30/DN10	12250065	10M					
FMM5R-2/M30/DN32	12250066	2M	4A	250V	2×22AWG+2×23AWG+Shield DeviceNet thin cable drag chain Grey TPE, OD=8.4 No.: 19810040		1.Shield 2.RD(V+) 3.BK(V-) 4.WH(CAN_H) 5.BU(CAN_L)
FMM5R-5/M30/DN32	12250067	5M					
FMM5R-10/M30/DN32	12250068	10M					
FMM5R-2/M30/DN79	12250069	2M	9A	600V	2×16AWG+2×18AWG+Shield DeviceNet thick cable Grey PVC,OD=12, No.: 19810042		1.Shield 2.RD(V+) 3.BK(V-) 4.WH(CAN_H) 5.BU(CAN_L)
FMM5R-5/M30/DN79	12250070	5M					
FMM5R-10/M30/DN79	12250071	10M					
FMM5R-2/M30/DN27	12250072	2M	9A	600V	2×16AWG+2×18AWG+Shield DeviceNet thick cable drag chain Grey PVC, OD=11.5 No.: 19810044		1.Shield 2.RD(V+) 3.BK(V-) 4.WH(CAN_H) 5.BU(CAN_L)
FMM5R-5/M30/DN27	12250073	5M					
FMM5R-10/M30/DN27	12250074	10M					

* 7/8"-16UN pre-moulding receptacle connector rear mount DeviceNet *

M12 DeviceNet daisy chain connector, Anti-vibration



Technical data

- Plug body: TPU/Blue
- Coupling nut: Zinc/Nickel-plated
- Contact carrier: TPU+GF/Black
- Pin: Brass/Gold-plated
- O-ring: FPM/FKM
- Insulation resistance: $\geq 100M\Omega$
- Forward resistance: $\leq 5m\Omega$
- Degree of pollution: 3
- Ambient temperature: $-25\sim +85^{\circ}C$
- Degree of protection: IP67
- Plug: M12x1
- Coding: A-CODE
- Insertion/withdrawal cycles: ≥ 100
- Standards: IEC 61076-2-101
- Torque: 0.4 Nm (M12 Plug connector)
- Cable: Refer to cable specification for detailed data

Type No.	Current	Voltage	Wire gauge	Wire colors
EAF5-8YF5-EAM5-**-**-**-**-**-*/DN24	4A	300V	2x24AWG+2x24AWG+Shield DeviceNet thin cable Grey PVC, OD=5.8 No.: 19810024	1.Shield 2.RD(V+) 3.BK(V-) 4.WH(CAN_H) 5.BU(CAN_L)

* "**" means length, in meters, user can customize configuration *

M8

M12

7/8"

M16

M23

分支器 & 分线盒

分支器 & 分线盒

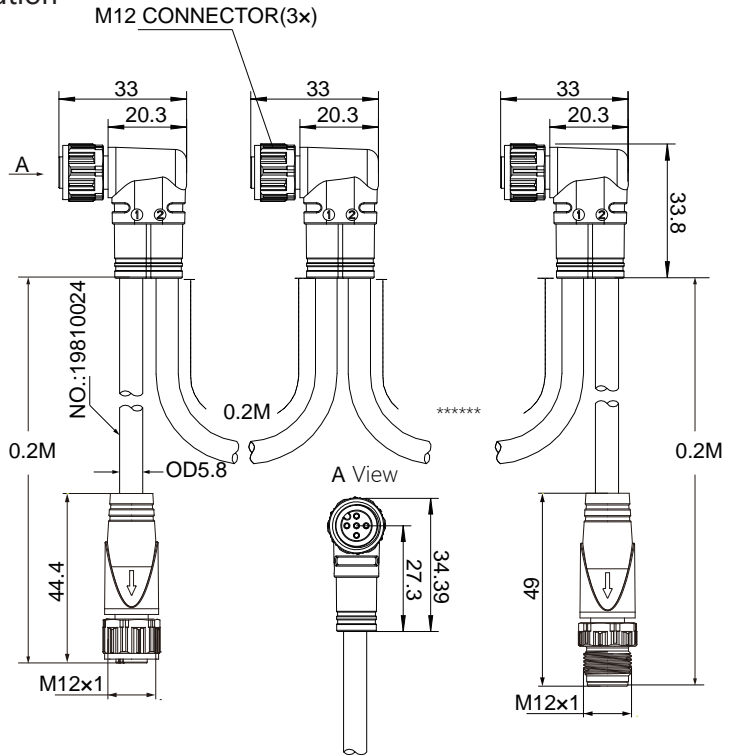
E-Net & P-Net

Profibus-DP

DeviceNet

CC-LINK

M12 DeviceNet daisy chain connector, Anti-vibration



Technical data

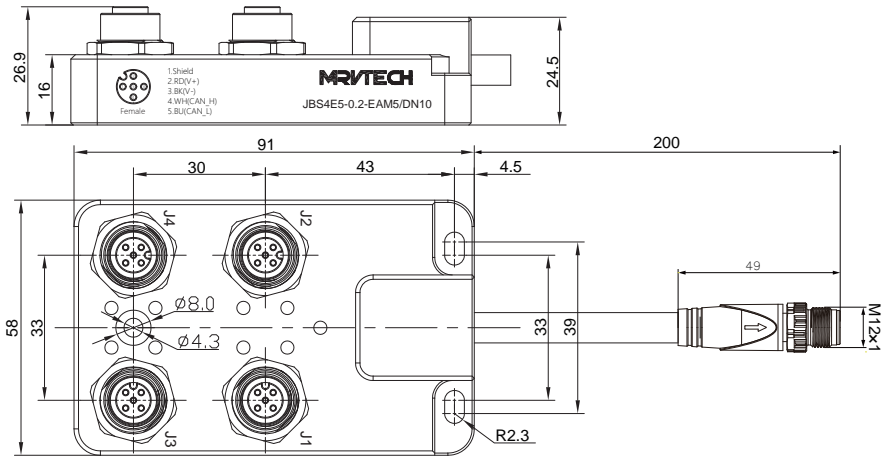
- Plug body: TPU/Blue
- Coupling nut: Zinc/Nickel-plated
- Contact carrier: TPU+GF/Black
- Pin: Brass/Gold-plated
- O-ring: FPM/FKM
- Insulation resistance: $\geq 100M\Omega$
- Forward resistance: $\leq 5m\Omega$
- Degree of pollution: 3
- Ambient temperature: $-25\sim +85^{\circ}C$
- Degree of protection: IP67
- Plug: M12x1
- Coding: A-CODE
- Insertion/withdrawal cycles: ≥ 100
- Standards: IEC 61076-2-101
- Torque: 0.4 Nm (M12 Plug connector)
- Cable: Refer to cable specification for detailed data

Type No.	Current	Voltage	Wire gauge	Wire colors
EAF5-3YLF5-EAM5-**-**-**-**-**-**-**/DN24	4A	300V	2x24AWG+2x24AWG+Shield DeviceNet thin cable Grey PVC, OD=5.8 No.: 19810024	1.Shield 2.RD(V+) 3.BK(V-) 4.WH(CAN_H) 5.BU(CAN_L)

* "**" means length, in meters, user can customize configuration *

M12 DeviceNet junction box

M12 DeviceNet junction box straight outlet connector



Technical data

- Housing material: Anodized aluminum alloy/Black
- Plug body: TPU/Blue
- Coupling nut: Zinc/Nickel-plated
- Contact carrier: TPU/Black
- Pin: Brass/Gold-plated
- O-ring: FPM/FKM
- Insulation resistance: $\geq 100M\Omega$
- Forward resistance: $\leq 5m\Omega$
- Degree of pollution: 3
- Degree of protection: IP67
- Plug: M12×1
- Insertion/withdrawal cycles: ≥ 100
- Ambient temperature: $-25\sim +85^{\circ}C$
- Torque: 0.4 Nm (M12 Plug connector)
- Cable: Refer to cable specification for detailed data

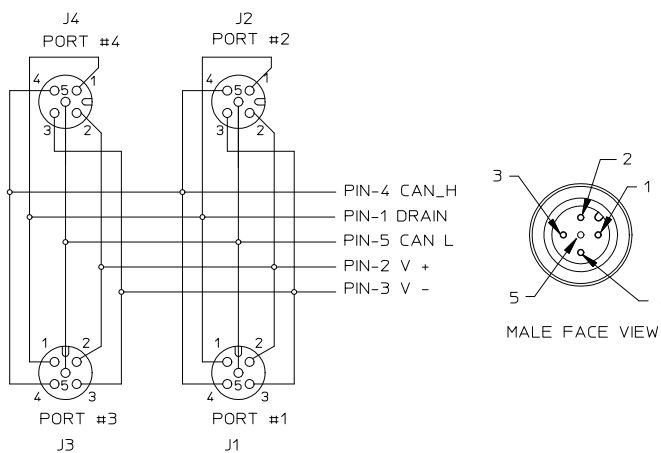
Key Commercial Data

- Packing unit: 1PCS/Bag
- Small package (200×150×100) , Medium (330×250×150) , Large (400×300×230) mm

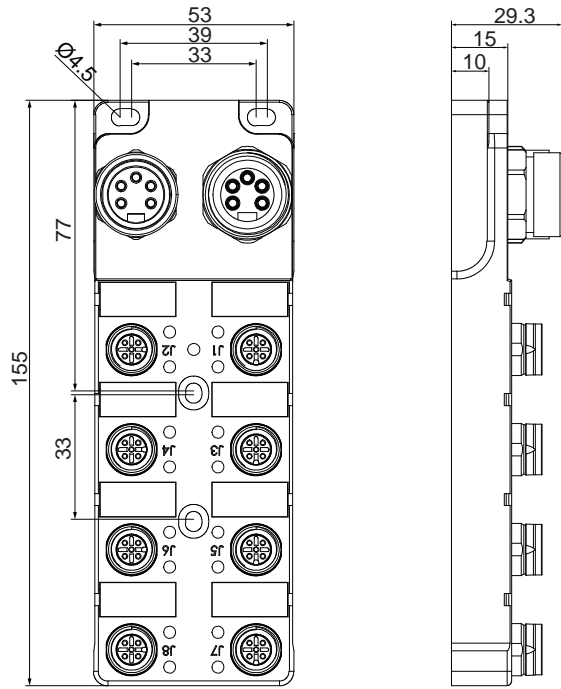
Type No.	ID No.	Length	Current	Voltage	Wire gauge	Wire colors
JBS4E5-2-EAM5/DN10	14120003	2M	4A	10~30V	2×22AWG+2×23AWG+Shield DeviceNet thin cable ,Grey PVC OD=6.9 No.: 19810000	1.Shield 2.RD(V+) 3.BK(V-) 4.WH(CAN_H) 5.BU(CAN_L)
JBS4E5-5-EAM5/DN10	14120004	5M				
JBS4E5-10-EAM5/DN10	14120005	10M				

* M12 DeviceNet junction box, straight outlet connector *

Circuit



M12 DeviceNet junction box connector type



Technical data

- Housing material: PA6+GF/Black
- Coupling nut: Zinc/Nickel-plated
- Contact carrier: TPU/Black
- Pin: Brass/Gold-plated
- O-ring: FPM/FKM
- Insulation resistance: $\geq 100M\Omega$
- Forward resistance: $\leq 5m\Omega$
- Degree of pollution: 3
- Degree of protection: IP67
- Ambient temperature: $-25\sim+85^{\circ}C$
- Main socket: 7/8"
- Branch plug: M12x1
- Insertion/withdrawal cycles: ≥ 100

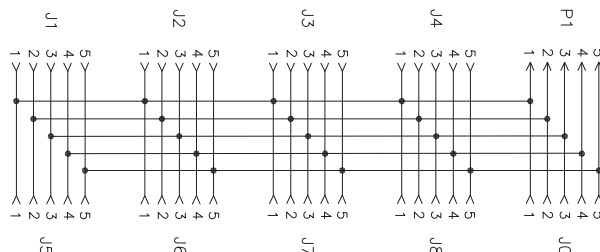
Key Commercial Data

- Packing unit: 1PCS/Bag
- Small package (200×150×100) , Medium (330×250×150) , Large (400×300×230) mm

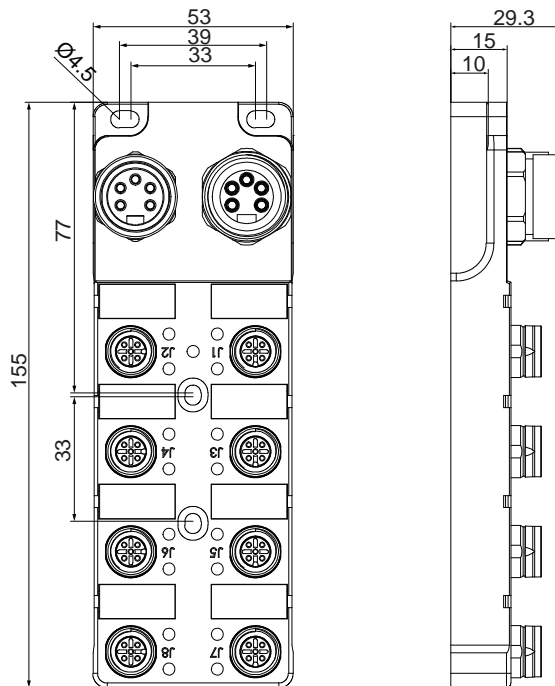
Type No.	ID No.	Current	Voltage	Description
JB8E5-MM5-MF5/DN	14120006	4A	250V	M12 8 ports DeviceNet junction box Enter: 7/8" 5pins male (1Pcs) Output: 7/8" 5pins female (1Pcs) Branch: M12 5pins female (8Pcs)

* M12 DeviceNet junction box connector type *

Circuit



M12 DeviceNet junction box connector type



Technical data

- Housing material: PA6+GF/Black
- Coupling nut: Zinc/Nickel-plated
- Contact carrier: TPU/Black
- Pin: Brass/Gold-plated
- O-ring: FPM/FKM
- Insulation resistance: $\geq 100M\Omega$
- Forward resistance: $\leq 5m\Omega$
- Degree of pollution: 3
- Degree of protection: IP67
- Ambient temperature: $-25\sim +85^{\circ}C$
- Main socket: 7/8"
- Branch plug: M12 \times 1
- Insertion/withdrawal cycles: ≥ 100

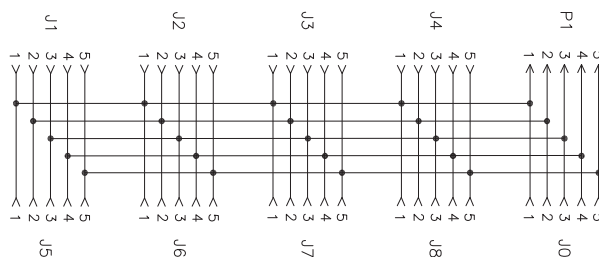
Key Commercial Data

- Packing unit: 1PCS/Bag
- Small package (200 \times 150 \times 100) , Medium (330 \times 250 \times 150) , Large (400 \times 300 \times 230) mm

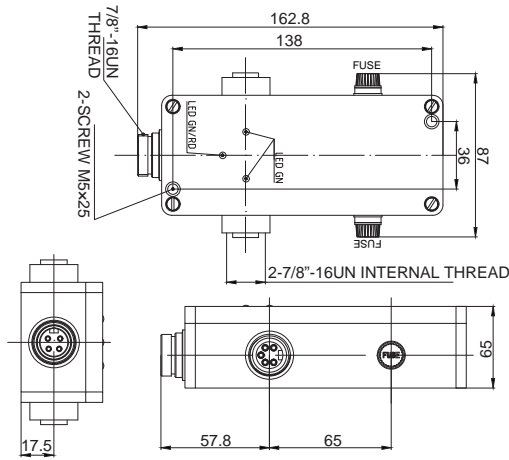
Type No.	ID No.	Current	Voltage	Description
JB8E5-MM5-MF5/DN/VM	14120007	4A	250V	M12 8 ports DeviceNet junction box ,With voltage detection, LED Enter: 7/8" 5pins male Output: 7/8" 5pins female Branch: M12 5pins female

* M12 DeviceNet junction box connector *

Circuit



7/8" DeviceNet junction box connector type



Technical data

- Housing material: Anodized aluminum alloy/Black
- Coupling nut: Zinc/Nickel-plated
- Contact carrier: TPU/Black
- Pin: Brass/Gold-plated
- O-ring: FPM/FKM
- Insulation resistance: $\geq 100M\Omega$
- Forward resistance: $\leq 5m\Omega$
- Degree of pollution: 3
- Degree of protection: IP67
- Ambient temperature: $-25\sim+85^{\circ}C$
- Main socket: 7/8"
- Branch plug: M12x1
- Insertion/withdrawal cycles: ≥ 100

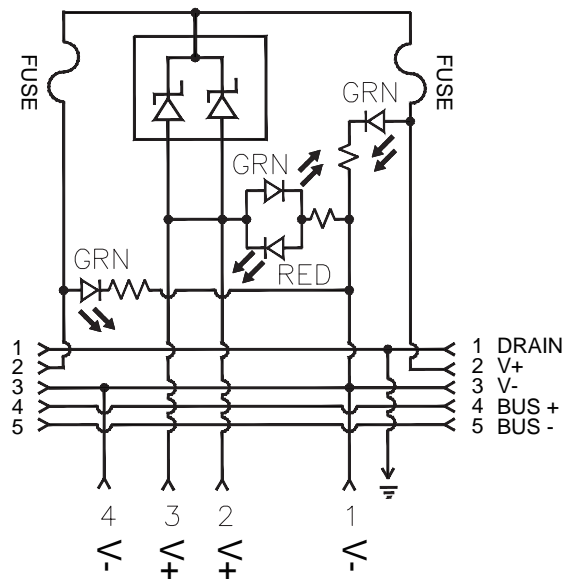
Key Commercial Data

- Packing unit: 1PCS/Bag
- Small package (200x150x100) , Medium (330x250x150) , Large (400x300x230) mm

Type No.	ID No.	Current	Voltage	Description
JBS2MF5-LV-MM4/DN	14250000	9A	600V	7/8" 2 ports DeviceNet Metal junction box, with circuit protection, LED Enter: 7/8" 4pins male Output: 7/8" 5pins female

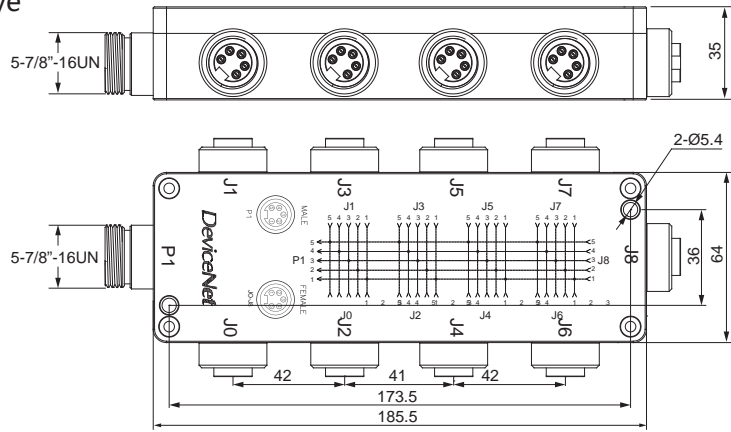
* 7/8" DeviceNet junction box connector type *

Circuit



7/8" DeviceNet junction box

7/8" DeviceNet junction box connector type



Technical data

- Housing material: Anodized aluminum alloy/Black
- Insulation resistance: $\geq 100M\Omega$
- Main socket: 7/8"-UN
- Coupling nut: Zinc/Nickel-plated
- Forward resistance: $\leq 5m\Omega$
- Branch plug: M12x1
- Contact carrier: TPU/Black
- Degree of pollution: 3
- Insertion/withdrawal cycles: ≥ 100
- Pin: Brass/Gold-plated
- Degree of protection: IP67
- Ambient temperature: $-25\sim+85^{\circ}C$
- O-ring: FPM/FKM

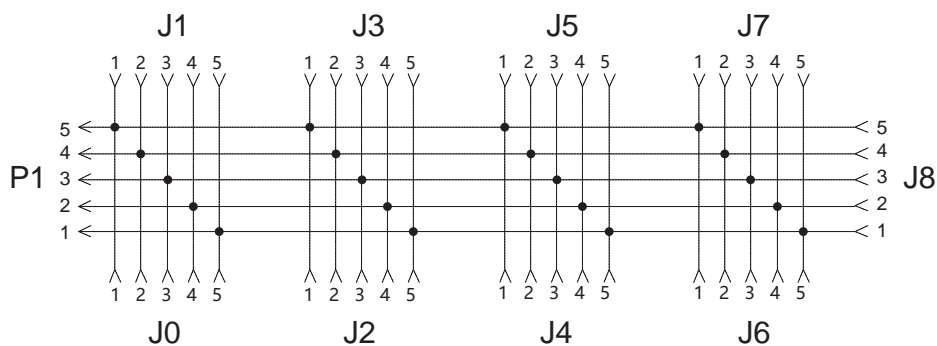
Key Commercial Data

- Packing unit: 1PCS/Bag
- Small package (200x150x100) , Medium (330x250x150) , Large (400x300x230) mm

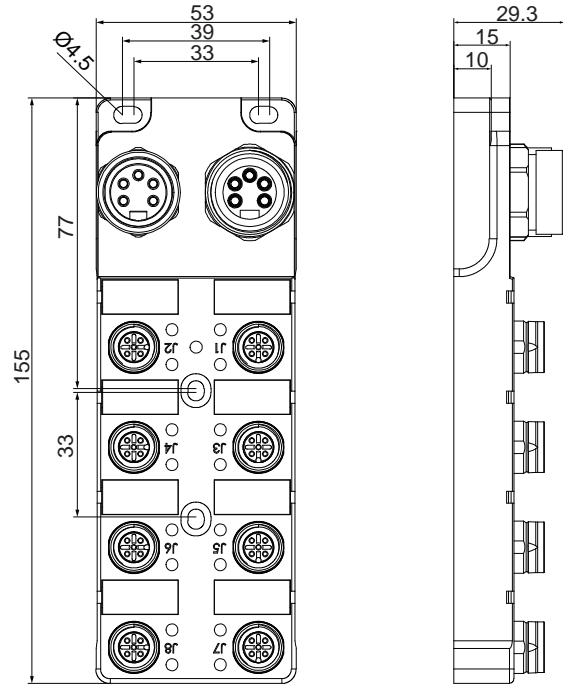
Type No.	ID No.	Current	Voltage	Description
JBS8MF5-MM5/DN	14250001	9A	600V	7/8" 8 ports DeviceNet junction box metal housing Enter: 7/8" 5pins male (1Pcs) Output: 7/8" 5pins female (8Pcs)

* 7/8" DeviceNet junction box connector type *

Circuit



M12 DeviceNet metal junction box connector type



Technical data

- Housing material: Anodized aluminum alloy/Black
- Coupling nut: Zinc/Nickel-plated
- Contact carrier: TPU/Black
- Pin: Brass/Gold-plated
- O-ring: FPM/FKM
- Insulation resistance: $\geq 100M\Omega$
- Forward resistance: $\leq 5m\Omega$
- Degree of pollution: 3
- Degree of protection: IP67
- Ambient temperature: $-25\sim+85^{\circ}C$
- Main socket: 7/8"-UN
- Insertion/withdrawal cycles: ≥ 100

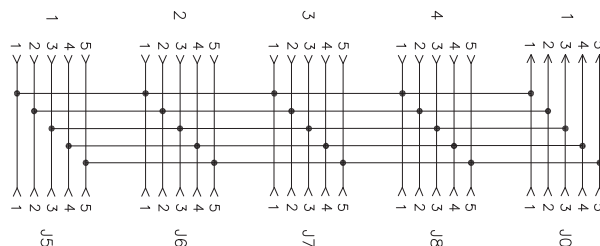
Key Commercial Data

- Packing unit: 1PCS/Bag
- Small package (200×150×100) , Medium (330×250×150) , Large (400×300×230) mm

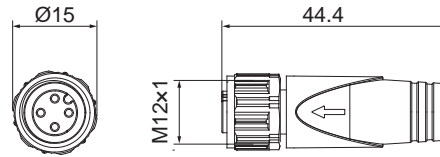
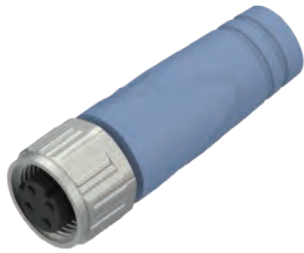
Type No.	ID No.	Current	Voltage	Description
JBS8E5-MM5-MF5/DN/VM	14120008	4A	250V	M12 8 ports DeviceNet metal junction box, with voltage detection, LED Enter: 7/8" 5pins male (1Pcs) Output: 7/8" 5pins female (1Pcs) Branch: M12 5pins female (8Pcs)

* M12 DeviceNet junction box connector type *

Circuit



M12 Female, DeviceNet terminating resistors



Technical data

- Plug body: TPU/Blue
- Coupling nut: Zinc/Nickel-plated
- Contact carrier: TPU+GF/Black
- Pin: Brass/Gold-plated
- O-ring: FPM/FKM
- Insulation resistance: $\geq 100M\Omega$
- Forward resistance: $\leq 5m\Omega$
- Degree of pollution: 3
- Ambient temperature: $-25\sim +85^{\circ}C$
- Degree of protection: IP67
- Plug: M12×1
- Coding: A-CODE
- Insertion/withdrawal cycles: ≥ 100
- Standards: IEC 61076-2-101
- Torque: 0.4 Nm (M12 Plug connector)

Key Commercial Data

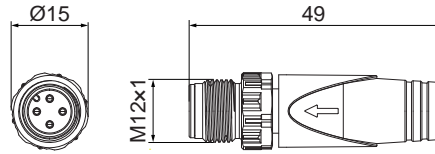
- Packing unit: 1PCS/Bag
Small package (200×150×100) , Medium (330×250×150) , Large (400×300×230) mm

Type No.	ID No.	Coding	Current	Voltage	Wire gauge	Circuit	Wire colors
EAF5-TR/DN	10120884	A-CODE	4A	250V			1.Shield 2.RD(V+) 3.BK(V-) 4.WH(CAN_H) 5.BU(CAN_L)

* M12 DeviceNet terminating resistors *

M8
M12
7/8"
M16
M23
CC-LINK
DeviceNet
Profibus-DP
E-Net & P-Net
分支器&分线盒
阀式连接器

M12 Male, DeviceNet terminating resistors



Technical data

- Plug body: TPU/Blue
- Coupling nut: Zinc/Nickel-plated
- Contact carrier: TPU+GF/Black
- Pin: Brass/Gold-plated
- O-ring: FPM/FKM
- Insulation resistance: $\geq 100M\Omega$
- Forward resistance: $\leq 5m\Omega$
- Degree of pollution: 3
- Ambient temperature: $-25\sim +85^{\circ}C$
- Degree of protection: IP67
- Plug: M12x1
- Coding: A-CODE
- Insertion/withdrawal cycles: ≥ 100
- Standards: IEC 61076-2-101
- Torque: 0.4 Nm (M12 Plug connector)

Key Commercial Data

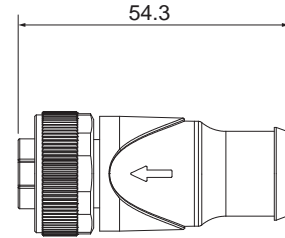
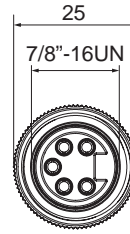
- Packing unit: 1PCS/Bag
Small package (200×150×100) , Medium (330×250×150) , Large (400×300×230) mm

Type No.	ID No.	Coding	Current	Voltage	Wire gauge	Circuit	Wire colors
EAM5-TR/DN	10120883	A-CODE	4A	250V		 120Ω 1/4W	1.Shield 2.RD(V+) 3.BK(V-) 4.WH(CAN_H) 5.BU(CAN_L)

* M12 DeviceNet terminating resistors *

7/8" DeviceNet terminating resistors

7/8" Female, DeviceNet terminating resistors



Technical data

- Plug body: TPU/Blue
- Coupling nut: Zinc/Nickel-plated
- Contact carrier: TPU+GF/Black
- Pin: Brass/Gold-plated
- O-ring: FPM/FKM
- Insulation resistance: $\geq 100M\Omega$
- Forward resistance: $\leq 5m\Omega$
- Degree of pollution: 3
- Ambient temperature: $-25\sim +85^{\circ}C$
- Degree of protection: IP67
- Plug: 7/8"-16UN
- Insertion/withdrawal cycles: ≥ 100
- Torque: 1.5 Nm (7/8 Plug connector)

Key Commercial Data

- Packing unit: 1PCS/Bag
Small package (200×150×100) , Medium (330×250×150) , Large (400×300×230) mm

Type No.	ID No.	Current	Voltage	Wire gauge	Circuit	Wire colors
MF5-TR/DN	10250106	9A	600V			1 = Shield 2 = RD(V+) 3 = BK(V-) 4 = WH(CAN_H) 5 = BU(CAN_L)
MF5-TR/DN/VM	10250108	9A	600V			1 = Shield 2 = RD(V+) 3 = BK(V-) 4 = WH(CAN_H) 5 = BU(CAN_L)

* 7/8" DeviceNet terminating resistors *

M8

M12

7/8"

M16

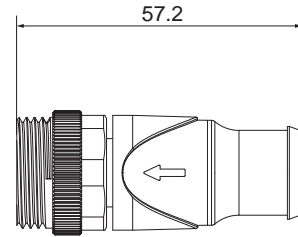
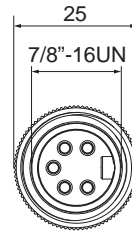
M23

ProfiBus-DP E-Net & P-Net 分支器&分线盒 阀式连接器

DeviceNet

CC-LINK

7/8" Male, DeviceNet terminating resistors



Technical data

- Plug body: TPU/Blue
- Coupling nut: Zinc/Nickel-plated
- Contact carrier: TPU+GF/Black
- Pin: Brass/Gold-plated
- O-ring: FPM/FKM
- Insulation resistance: $\geq 100M\Omega$
- Forward resistance: $\leq 5m\Omega$
- Degree of pollution: 3
- Ambient temperature: $-25\sim +85^{\circ}C$
- Degree of protection: IP67
- Plug: 7/8"-16UN
- Insertion/withdrawal cycles: ≥ 100
- Torque: 1.5 Nm (7/8 Plug connector)

Key Commercial Data

- Packing unit: 1PCS/Bag
- Small package (200×150×100) , Medium (330×250×150) , Large (400×300×230) mm

Type No.	ID No.	Current	Voltage	Wire gauge	Circuit	Wire colors
MM5-TR/DN	10250107	9A	600V			1 = Shield 2 = RD(V+) 3 = BK(V-) 4 = WH(CAN_H) 5 = BU(CAN_L)
MM5-TR/DN/VM	10250109	9A	600V			1 = Shield 2 = RD(V+) 3 = BK(V-) 4 = WH(CAN_H) 5 = BU(CAN_L)

* 7/8" DeviceNet terminating resistors *

M8

M12

7/8"

M16

M23

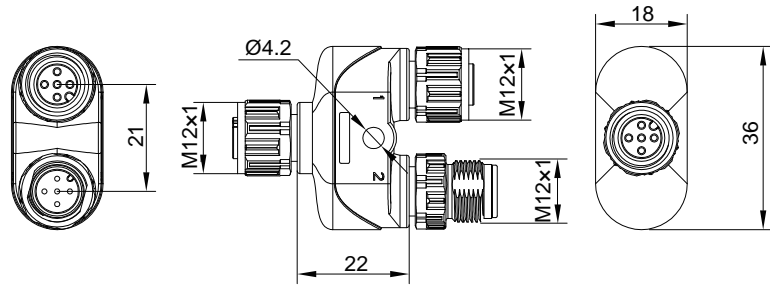
分支器 & 分线盒 插式连接器

Profibus-DP E-Net & P-Net

DeviceNet

CC-LINK

M12 DeviceNet Y-splitter, anti-vibration



Technical data

- Plug body: TPU/Blue
- Coupling nut: Zinc/Nickel-plated
- Contact carrier: TPU+GF/Black
- Pin: Brass/Gold-plated
- O-ring: FPM/FKM
- Insulation resistance: $\geq 100M\Omega$
- Forward resistance: $\leq 5m\Omega$
- Degree of pollution: 3
- Ambient temperature: $-25\sim +85^{\circ}C$
- Degree of protection: IP67
- Plug: M12x1
- Coding: A-CODE
- Insertion/withdrawal cycles: ≥ 100
- Standards: IEC 61076-2-101
- Torque: 0.4 Nm (M12 Plug connector)

Key Commercial Data

- Packing unit: 1PCS/Bag
Small package (200x150x100) , Medium (330x250x150) , Large (400x300x230) mm

Type No.	ID No.	Coding	Current	Voltage	Pinout	Circuit
YW-EAF5-EAF5-EAM5/DN	13120010	A-CODE	4A	250V		

* M12 DeviceNet Y-splitter parallel circuit *

M8

M12

7/8"

M16

M23

阀式连接器

分支器&分线盒

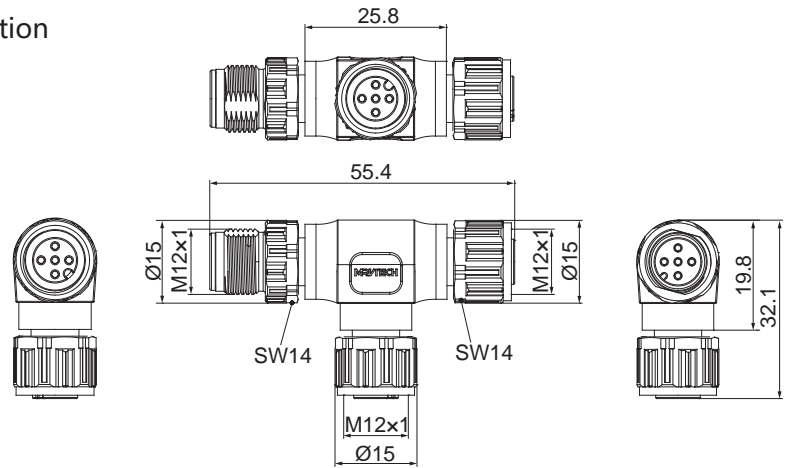
E-Net & P-Net

Profibus-DP

DeviceNet

CC-LINK

M12 DeviceNet T type splitter, anti-vibration



Technical data

- Plug body: TPU/Blue
- Coupling nut: Zinc/Nickel-plated
- Contact carrier: TPU+GF/Black
- Pin: Brass/Gold-plated
- O-ring: FPM/FKM
- Insulation resistance: $\geq 100M\Omega$
- Forward resistance: $\leq 5m\Omega$
- Degree of pollution: 3
- Ambient temperature: $-25\sim +85^{\circ}C$
- Degree of protection: IP67
- Plug: M12x1
- Coding: A-CODE
- Insertion/withdrawal cycles: ≥ 100
- Standards: IEC 61076-2-101
- Torque: 0.4 Nm (M12 Plug connector)

Key Commercial Data

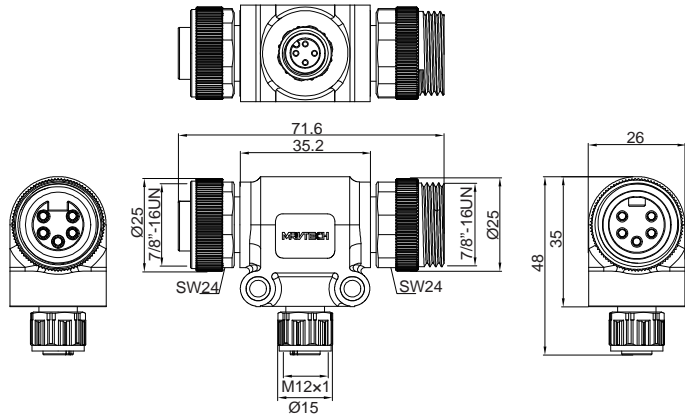
- Packing unit: 1PCS/Bag
- Small package (200x150x100) , Medium (330x250x150) , Large (400x300x230) mm

Type No.	ID No.	Coding	Current	Voltage	Pinout	Circuit
T-EAM5-2EAF5/DN	13120003	A-CODE	4A	250V	<p>Male: 5 pins (1-5)</p> <p>2xFemale: 10 pins (1-5 on each side)</p>	<p>Male 3 ← 3Female</p> <p>Female: 5 pins (1-5)</p>

* M12 DeviceNet T-splitter parallel circuit *

7/8" DeviceNet T type splitter

7/8" DeviceNet T type splitter, Anti-vibration



Technical data

- Plug body: TPU/Blue
- Coupling nut: Zinc/Nickel-plated
- Contact carrier: TPU+GF/Black
- Pin: Brass/Gold-plated
- O-ring: FPM/FKM
- Insulation resistance: $\geq 100M\Omega$
- Forward resistance: $\leq 5m\Omega$
- Degree of pollution: 3
- Ambient temperature: $-25\sim +85^{\circ}C$
- Degree of protection: IP67
- Plug: M12x1
- Plug: 7/8"-16UN
- Insertion/withdrawal cycles: ≥ 100
- Torque: 0.4 Nm (M12 Plug connector)
- Torque: 1.5 Nm (7/8 Plug connector)

Key Commercial Data

- Packing unit: 1PCS/Bag
- Small package (200x150x100) , Medium (330x250x150) , Large (400x300x230) mm

Type No.	ID No.	Current	Voltage	Pinout	Circuit
T-MM5-EAF5-MF5/DN	13250000	4A	250V	<p>7/8" Male M12 Female 7/8" Female</p>	<p>Male 3 < 3 Female</p> <p>Female</p>

* 7/8" DeviceNet T-splitter parallel circuit *

M8

M12

7/8"

M16

M23

分支器 & 分线盒

阀式连接器

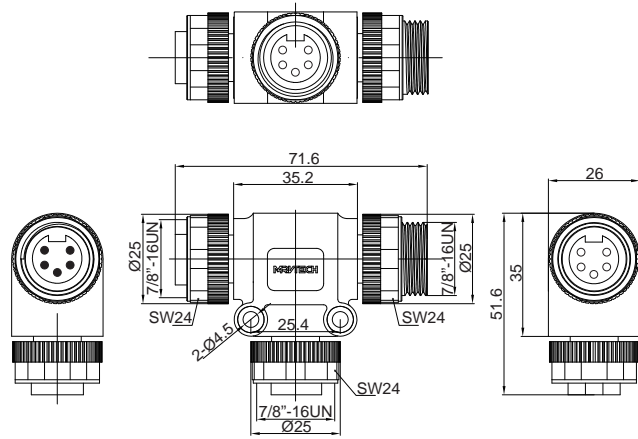
E-Net & P-Net

Profibus-DP

DeviceNet

CC-LINK

7/8" DeviceNet T type splitter, Anti-vibration



Technical data

- Plug body: TPU/Blue
- Coupling nut: Zinc/Nickel-plated
- Contact carrier: TPU+GF/Black
- Pin: Brass/Gold-plated
- O-ring: FPM/FKM
- Insulation resistance: $\geq 100M\Omega$
- Forward resistance: $\leq 5m\Omega$
- Degree of pollution: 3
- Ambient temperature: $-25\sim +85^{\circ}C$
- Degree of protection: IP67
- Plug: 7/8"-16UN
- Insertion/withdrawal cycles: ≥ 100
- Torque: 1.5 Nm (7/8 Plug connector)

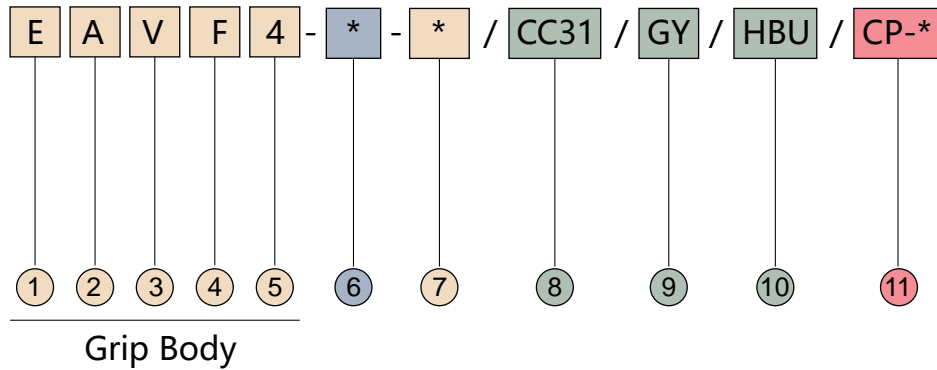
Key Commercial Data

- Packing unit: 1PCS/Bag
- Small package (200×150×100) , Medium (330×250×150) , Large (400×300×230) mm

Type No.	ID No.	Current	Voltage	Pinout	Circuit
T-MM5-2MF5/DN	13250001	9A	600V	<p>7/8" Male 7/8" Female x2</p>	<p>Male 3 ← 3 Female</p>

* 7/8" DeviceNet T-splitter parallel circuit *

CC-LINK



- ① E = M12, Straight
EW = M12, Right angle
- ② A-code
- ③ Blank = Zinc die-cast, nickel-plated
V = Stainless steel nut
- ④ M = Male
F = Female
- ⑤ Number of pins
Contact distribution
- ⑥ Length(M)
Can be customized
With 0.1M as increment
The shortest length is 0.2M
- ⑦ Blank = Single-ended
Double-ended = part number key refer to "Grip Body"
- ⑧ Reference cable code
- ⑨ Color of cable
Blank = Standard color (Brown)
Customized cable color
YE = Yellow
GY = Gray
- ⑩ Color of plug body
Blank = Standard color (Yellow)
Customized plug body color
HBK Black
HBU Blue
- ⑪ Customized products
* = Customized code

M8

M12

7/8"

M16

M23

阀式连接器

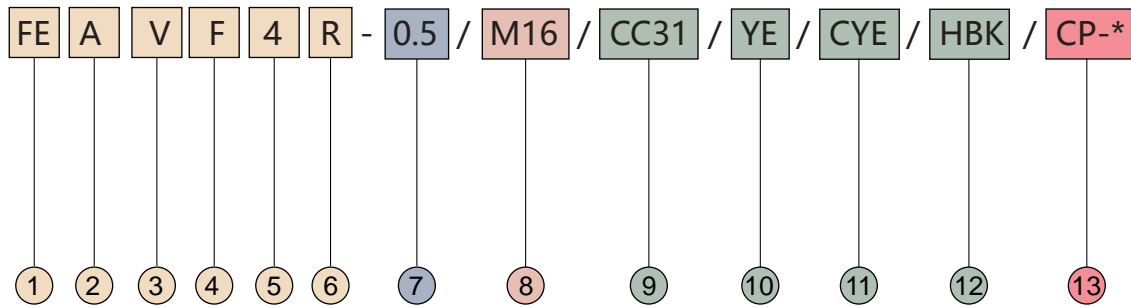
分支器&分线盒

E-Net & P-Net

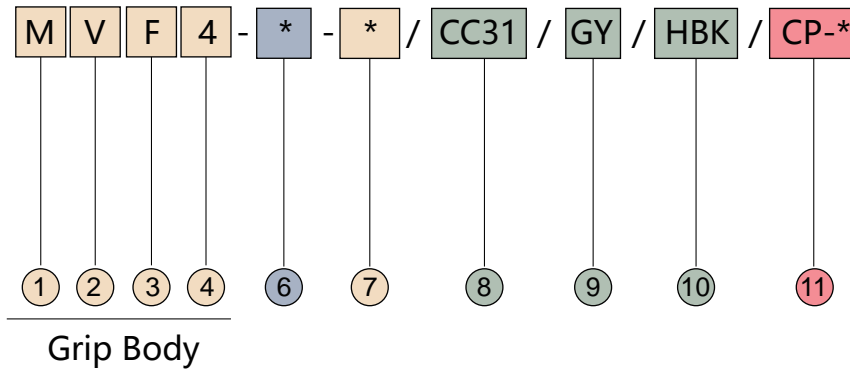
Profibus-DP

DeviceNet

CC-LINK



- ① M12 Receptacle connector
- ② A-code
- ③ Blank = Zinc die-cast, nickel-plated
V = Stainless steel nut
- ④ M = Male
F = Female
- ⑤ Number of pins
- ⑥ R = Rear mounting
F = Front mounting
- ⑦ Cable Length(M)
0.5 = Cable length 0.5M
Can be customized
- ⑧ Mounting thread
Blank = PG9
M16 = M16×1.5
- ⑨ Reference cable code
- ⑩ Color of cable jacket
Blank = Standard color (Brown)
- ⑪ Color of contact carrier
Blank = Standard color (Black)
CYE = Yellow contact carrier
CGN = Green contact carrier
CVT = Violet contact carrier
- ⑫ Pre-moulding rubber coating color
Blank = Standard color (Yellow)
HBK = Black
- ⑬ Customized products
* = Customized code



- | | |
|--|--|
| <p>① M = 7/8, Straight
MW = 7/8, Right angle</p> <p>③ Blank = Zinc die-cast, nickel-plated
V = Stainless steel nut</p> <p>④ M = Male
F = Female</p> <p>⑤ Number of pins
Contact distribution</p> <p>⑥ Length(M)
Can be customized
With 0.1M as increment
The shortest length is 0.2M</p> <p>⑦ Blank = Single-ended
Double-ended = part number key
refer to "Grip Body"</p> | <p>⑧ Reference cable code</p> <p>⑨ Color of cable
Blank = Standard color (Brown)
Customized cable color
YE = Yellow
GY = Gray</p> <p>⑩ Color of plug body
Blank = Standard color (Yellow)
Customized plug body color
HBK Black
HBU Blue</p> <p>⑪ Customized products
* = Customized code</p> |
|--|--|

M8

M12

7/8"

M16

M23

阀式连接器

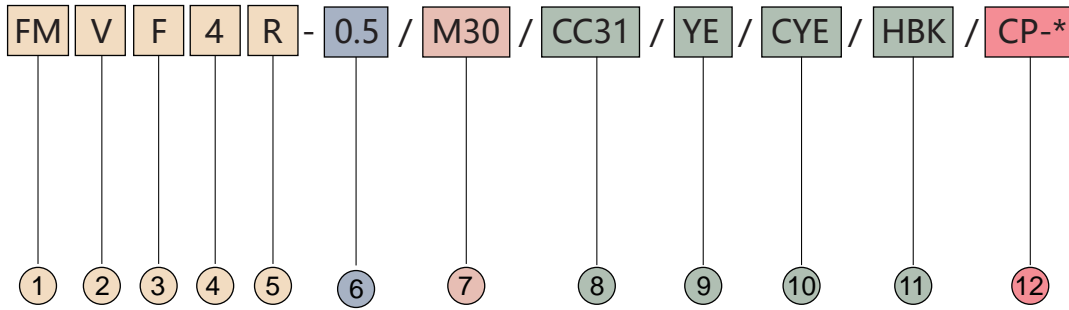
分支器&分线盒

E-Net & P-Net

Profibus-DP

DeviceNet

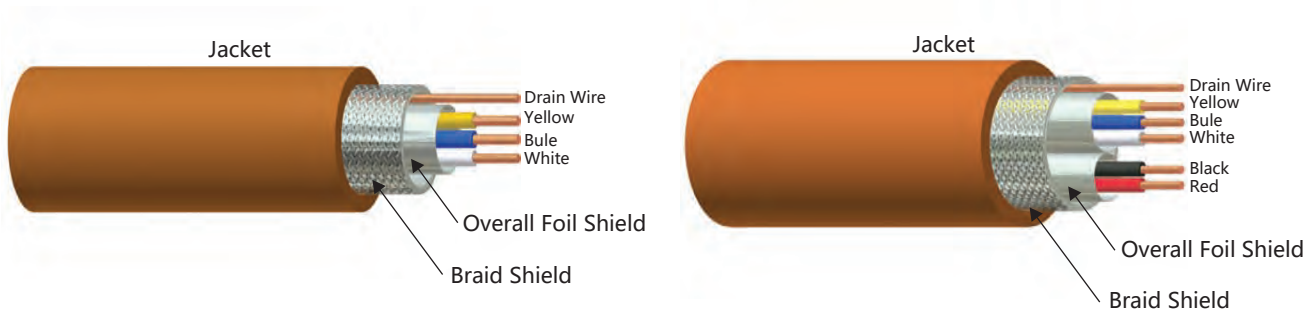
CC-LINK



- ① 7/8" Receptacle connector
- ② Blank = Zinc die-cast, nickel-plated
V = Stainless steel nut
- ③ M = Male
F = Female
- ④ Number of pins
- ⑤ R = Rear mounting
F = Front mounting
- ⑥ Cable Length(M)
0.5 = Cable length 0.5M
Can be customized
- ⑦ Mounting thread
M30 = M30×1.5
14.5NPSM = 1/2-14NPSM
- ⑧ Reference cable code
- ⑨ Color of cable jacket
Blank = Standard color (Brown)
- ⑩ Color of contact carrier
Blank = Standard color (Black)
CYE = Yellow contact carrier
CBU = Blue contact carrier
- ⑪ Pre-moulding rubber coating color
Blank = Standard color (Yellow)
HBK = Black
- ⑫ Customized products
* = Customized code

CC-Link Partner Association (CLPA) certified cable. 1.10 Cable standard

The cable has 3 conductors and 5 conductors (with power conductor) versions



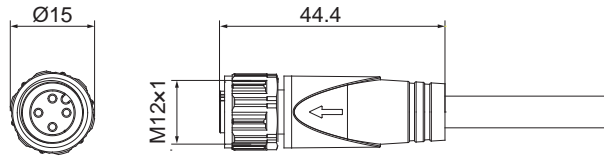
Technical data

Cable Type No.	Power wire	Data wire			Out Jacket Material Color Nominal O.D.	Shields Type Drain Wire	Features	Version	Cable Code
	AWG Color Code	AWG Color Code	DCR(/1000 feet) Insulation	Characteristic Impedance @1 MHz					
19810065	----	3×20 AWG WH/YE/BU	37.8 Ohm/km PE	110±15 Ω	PVC/Brown 7.7 mm	Foil/Braid 22 AWG	Fixed -30~80°C	Ver.1.10	CC31
19810066	----	3×20 AWG WH/YE/BU	37.8 Ohm/km PE	110±15 Ω	PVC/Brown 8.0 mm	Foil/Braid 22 AWG	Drag chain -30~80°C	Ver.1.10	CC35
19810067	2×19 AWG BK/RD	3×20 AWG WH/YE/BU	37.8 Ohm/km PE	130±15 Ω	PVC/Brown 12.0 mm	Foil/Braid 22 AWG	Fixed -30~80°C	Ver.1.00	CC51

Transmission rate	10 Mbps	5 Mbps	2.5 Mbps	625 Kbps	156 Kbps
Transmission distance CC-Link Cable Ver. 1.10 CC-Link High Performance Cable	100 M	160 M	400 M	900 M	1200 M
Transmission distance CC-Link Cable	100 M	150 M	200 M	600 M	1200 M

M8
M12
7/8"
M16
M23
CC-LINK
DeviceNet
Profibus-DP
E-Net & P-Net
分支器 & 分线盒
阀式连接器

M12 Female, CC-Link cable pre-moulding connector, Anti-vibration



Technical data

- Plug body: TPU/Yellow
- Coupling nut: Zinc/Nickel-plated
- Contact carrier: TPU+GF/Black
- Pin: Brass/Gold-plated
- O-ring: FPM/FKM
- Insulation resistance: $\geq 100M\Omega$
- Forward resistance: $\leq 5m\Omega$
- Degree of pollution: 3
- Ambient temperature: $-25\sim +85^{\circ}C$
- Degree of protection: IP67
- Plug: M12×1
- Coding: A-CODE
- Insertion/withdrawal cycles: ≥ 100
- Standards: IEC 61076-2-101
- Torque: 0.4 Nm (M12 Plug connector)
- Cable: Refer to cable specification for detailed data

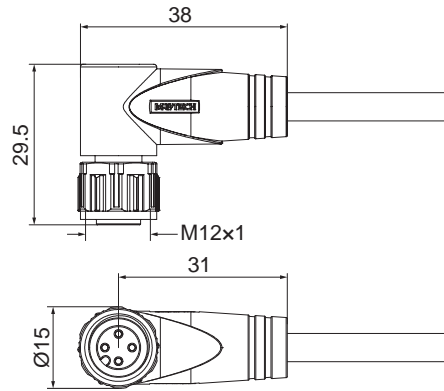
Key Commercial Data

- Packing unit: 2M/10PCS/Bag, 5M/5PCS/Bag, 10M/1PCS/Bag
- Small package (200×150×100), Medium (330×250×150), Large (400×300×230) mm

Type No.	ID No.	Length	Angle	Coding	Current	Voltage	Wire gauge	Pinout	Wire colors
EAF4-2/CC31	10121737	2M	Straight	A-CODE	4A	250V	3×0.5 (3×20AWG) Brown PVC, Shielded OD=7.7 No.: 1981065		1 = Shield 2 = WH (DB) 3 = YE (DG) 4 = BU (DA)
EAF4-5/CC31	10121738	5M							
EAF4-10/CC31	10121739	10M							
EAF4-2/CC35	10121740	2M	Straight	A-CODE	4A	250V	3×0.5 (3×20AWG) Brown PVC, Shielded Drag chain, OD=8.0 No.: 1981066		1 = Shield 2 = WH (DB) 3 = YE (DG) 4 = BU (DA)
EAF4-5/CC35	10121741	5M							
EAF4-10/CC35	10121742	10M							

* Standard cable lengths are 2/5/10M, Consult factory for other lengths *

M12 Right angle Female, CC-Link cable pre-moulding connector, Anti-vibration



Technical data

- Plug body: TPU/Yellow
- Coupling nut: Zinc/Nickel-plated
- Contact carrier: TPU+GF/Black
- Pin: Brass/Gold-plated
- O-ring: FPM/FKM
- Insulation resistance: $\geq 100M\Omega$
- Forward resistance: $\leq 5m\Omega$
- Degree of pollution: 3
- Ambient temperature: $-25\sim +85^{\circ}C$
- Degree of protection: IP67
- Plug: M12x1
- Coding: A-CODE
- Insertion/withdrawal cycles: ≥ 100
- Standards: IEC 61076-2-101
- Torque: 0.4 Nm (M12 Plug connector)
- Cable: Refer to cable specification for detailed data

Key Commercial Data

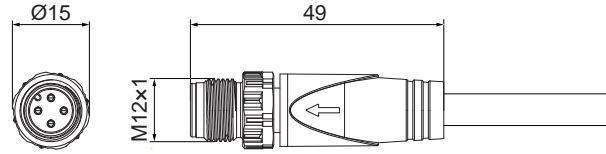
- Packing unit: 2M/10PCS/Bag, 5M/5PCS/Bag, 10M/1PCS/Bag
- Small package (200×150×100), Medium (330×250×150), Large (400×300×230) mm

Type No.	ID No.	Length	Angle	Coding	Current	Voltage	Wire gauge	Pinout	Wire colors
EWAF4-2/CC31	10121743	2M	Right angle	A-CODE	4A	250V	3×0.5 (3×20AWG) Brown PVC, Shielded OD=7.7 No.: 1981065		1 = Shield 2 = WH (DB) 3 = YE (DG) 4 = BU (DA)
EWAF4-5/CC31	10121744	5M							
EWAF4-10/CC31	10121745	10M							
EWAF4-2/CC35	10121746	2M	Right angle	A-CODE	4A	250V	3×0.5 (3×20AWG) Brown PVC, Shielded Drag chain, OD=8.0 No.: 1981066		1 = Shield 2 = WH (DB) 3 = YE (DG) 4 = BU (DA)
EWAF4-5/CC35	10121747	5M							
EWAF4-10/CC35	10121748	10M							

* Standard cable lengths are 2/5/10M, Consult factory for other lengths.*

M8
M12
7/8"
M16
M23
CC-LINK
DeviceNet
Profibus-DP
E-Net & P-Net
分支器 & 分线盒
阀式连接器

M12 Male, CC-Link cable pre-moulding connector, Anti-vibration



Technical data

- Plug body: TPU/Yellow
- Coupling nut: Zinc/Nickel-plated
- Contact carrier: TPU+GF/Black
- Pin: Brass/Gold-plated
- O-ring: FPM/FKM
- Insulation resistance: $\geq 100M\Omega$
- Forward resistance: $\leq 5m\Omega$
- Degree of pollution: 3
- Ambient temperature: $-25\sim +85^{\circ}C$
- Degree of protection: IP67
- Plug: M12×1
- Coding: A-CODE
- Insertion/withdrawal cycles: ≥ 100
- Standards: IEC 61076-2-101
- Torque: 0.4 Nm (M12 Plug connector)
- Cable: Refer to cable specification for detailed data

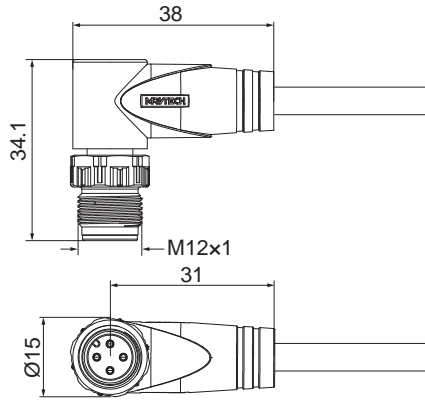
Key Commercial Data

- Packing unit: 2M/10PCS/Bag, 5M/5PCS/Bag, 10M/1PCS/Bag
Small package (200×150×100), Medium (330×250×150), Large (400×300×230) mm

Type No.	ID No.	Length	Angle	Coding	Current	Voltage	Wire gauge	Pinout	Wire colors
EAM4-2/CC31	10121749	2M	Straight	A-CODE	4A	250V	3×0.5 (3×20AWG) Brown PVC, Shielded OD=7.7 No.: 1981065		1 = Shield 2 = WH (DB) 3 = YE (DG) 4 = BU (DA)
EAM4-5/CC31	10121750	5M							
EAM4-10/CC31	10121751	10M							
EAM4-2/CC35	10121752	2M	Straight	A-CODE	4A	250V	3×0.5 (3×20AWG) Brown PVC, Shielded Drag chain, OD=8.0 No.: 1981066		1 = Shield 2 = WH (DB) 3 = YE (DG) 4 = BU (DA)
EAM4-5/CC35	10121753	5M							
EAM4-10/CC35	10121754	10M							

* Standard cable lengths are 2/5/10M, Consult factory for other lengths *

M12 Right angle Male, CC-Link cable pre-moulding connector, Anti-vibration



Technical data

- Plug body: TPU/Yellow
- Coupling nut: Zinc/Nickel-plated
- Contact carrier: TPU+GF/Black
- Pin: Brass/Gold-plated
- O-ring: FPM/FKM
- Insulation resistance: $\geq 100M\Omega$
- Forward resistance: $\leq 5m\Omega$
- Degree of pollution: 3
- Ambient temperature: $-25\sim +85^{\circ}C$
- Degree of protection: IP67
- Plug: M12x1
- Coding: A-CODE
- Insertion/withdrawal cycles: ≥ 100
- Standards: IEC 61076-2-101
- Torque: 0.4 Nm (M12 Plug connector)
- Cable: Refer to cable specification for detailed data

Key Commercial Data

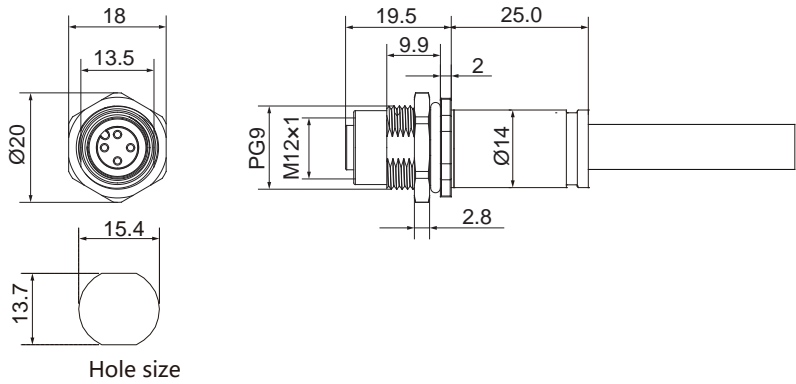
- Packing unit: 2M/10PCS/Bag, 5M/5PCS/Bag, 10M/1PCS/Bag
- Small package (200x150x100), Medium (330x250x150), Large (400x300x230) mm

Type No.	ID No.	Length	Angle	Coding	Current	Voltage	Wire gauge	Pinout	Wire colors
EWAM4-2/CC31	10121755	2M	Right angle	A-CODE	4A	250V	3x0.5 (3x20AWG) Brown PVC, Shielded OD=7.7 No.: 1981065		1 = Shield 2 = WH (DB) 3 = YE (DG) 4 = BU (DA)
EWAM4-5/CC31	10121756	5M							
EWAM4-10/CC31	10121757	10M							
EWAM4-2/CC35	10121758	2M	Right angle	A-CODE	4A	250V	3x0.5 (3x20AWG) Brown PVC, Shielded Drag chain, OD=8.0 No.: 1981066		1 = Shield 2 = WH (DB) 3 = YE (DG) 4 = BU (DA)
EWAM4-5/CC35	10121759	5M							
EWAM4-10/CC35	10121760	10M							

* Standard cable lengths are 2/5/10M, Consult factory for other lengths *

M8
M12
7/8"
M16
M23
E-Net & P-Net
分支器 & 分线盒
阀式连接器
Profibus-DP
DeviceNet
CC-LINK

M12 Female, Pre-moulding receptacle connector, Rear mounting, CC-Link cable



Technical data

- Housing material: Zinc/Nickel-plated
- Encapsulating material: TPU/Yellow
- Contact carrier: TPU+GF/Black
- Pin: Brass/Gold-plated
- O-ring: FPM/FKM
- Insulation resistance: $\geq 100M\Omega$
- Forward resistance: $\leq 5m\Omega$
- Degree of pollution: 3
- Ambient temperature: $-25\sim +85^{\circ}C$
- Degree of protection: IP67
- Plug: M12x1
- Coding: A-CODE
- Insertion/withdrawal cycles: ≥ 100
- Standards: IEC 61076-2-101
- Torque: 3~4 Nm (mounting side)
- Cable: Refer to cable specification for detailed data

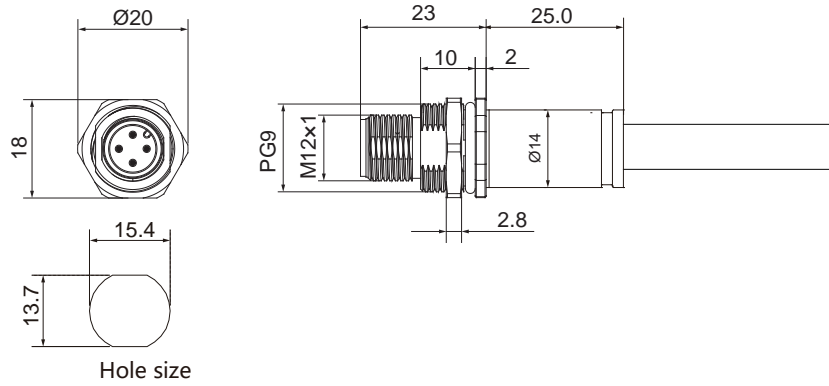
Key Commercial Data

- Packing unit: 2M/10PCS/Bag, 5M/5PCS/Bag, 10M/1PCS/Bag
- Small package (200×150×100), Medium (330×250×150), Large (400×300×230) mm

Type No.	ID No.	Length	Coding	Current	Voltage	Wire gauge	Pinout	Wire colors
FEAF4R-2/CC31	12120278	2M	A-CODE	4A	250V	3×0.5 (3×20AWG) Brown PVC, Shielded OD=7.7 No.: 1981065		1 = Shield 2 = WH (DB) 3 = YE (DG) 4 = BU (DA)
FEAF4R-5/CC31	12120279	5M						
FEAF4R-10/CC31	12120280	10M						
FEAF4R-2/CC35	12120281	2M	A-CODE	4A	250V	3×0.5 (3×20AWG) Brown PVC, Shielded Drag chain, OD=8.0 No.: 1981066		1 = Shield 2 = WH (DB) 3 = YE (DG) 4 = BU (DA)
FEAF4R-5/CC35	12120282	5M						
FEAF4R-10/CC35	12120283	10M						

* M12 pre-moulding receptacle, rear mounting CC-Link cable *

M12 Male, Pre-moulding receptacle connector, rear mounting, CC-Link cable



Technical data

- Housing material: Zinc/Nickel-plated
- Encapsulating material: TPU/Yellow
- Contact carrier: TPU+GF/Black
- Pin: Brass/Gold-plated
- O-ring: FPM/FKM
- Insulation resistance: $\geq 100M\Omega$
- Forward resistance: $\leq 5m\Omega$
- Degree of pollution: 3
- Ambient temperature: $-25\sim +85^{\circ}C$
- Degree of protection: IP67
- Plug: M12x1
- Coding: A-CODE
- Insertion/withdrawal cycles: ≥ 100
- Standards: IEC 61076-2-101
- Torque: 3~4 Nm (mounting side)
- Cable: Refer to cable specification for detailed data

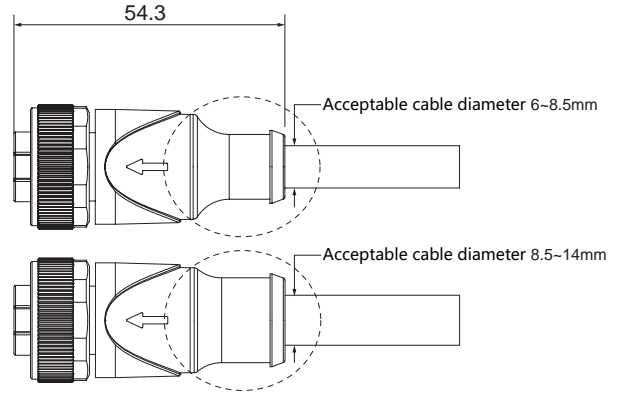
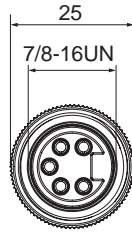
Key Commercial Data

- Packing unit: 2M/10PCS/Bag, 5M/5PCS/Bag, 10M/1PCS/Bag
Small package (200×150×100), Medium (330×250×150), Large (400×300×230) mm

Type No.	ID No.	Length	Coding	Current	Voltage	Wire gauge	Pinout	Wire colors
FEAM4R-2/CC31	12120284	2M	A-CODE	4A	250V	3×0.5 (3×20AWG) Brown PVC, Shielded OD=7.7 No.: 1981065		1 = Shield 2 = WH (DB) 3 = YE (DG) 4 = BU (DA)
FEAM4R-5/CC31	12120285	5M						
FEAM4R-10/CC31	12120286	10M						
FEAM4R-2/CC35	12120287	2M	A-CODE	4A	250V	3×0.5 (3×20AWG) Brown PVC, Shielded Drag chain, OD=8.0 No.: 1981066		1 = Shield 2 = WH (DB) 3 = YE (DG) 4 = BU (DA)
FEAM4R-5/CC35	12120288	5M						
FEAM4R-10/CC35	12120289	10M						

* M12 pre-moulding receptacle, rear mounting CC-Link cable *

7/8" Female, Pre-moulding connector, CC-Link cable



Technical data

- Plug body: TPU/Yellow
- Coupling nut: Zinc/Nickel-plated
- Contact carrier: TPU/Black
- Pin: Brass/Gold-plated
- O-ring: FPM/FKM
- Insulation resistance: $\geq 100M\Omega$
- Forward resistance: $\leq 5m\Omega$
- Degree of pollution: 3
- Ambient temperature: $-25\sim +85^{\circ}C$
- Degree of protection: IP67
- Plug: 7/8"-16UN
- Insertion/withdrawal cycles: ≥ 100
- Torque: 1.5 Nm (7/8 Plug connector)
- Cable: Refer to cable specification for detailed data

Key Commercial Data

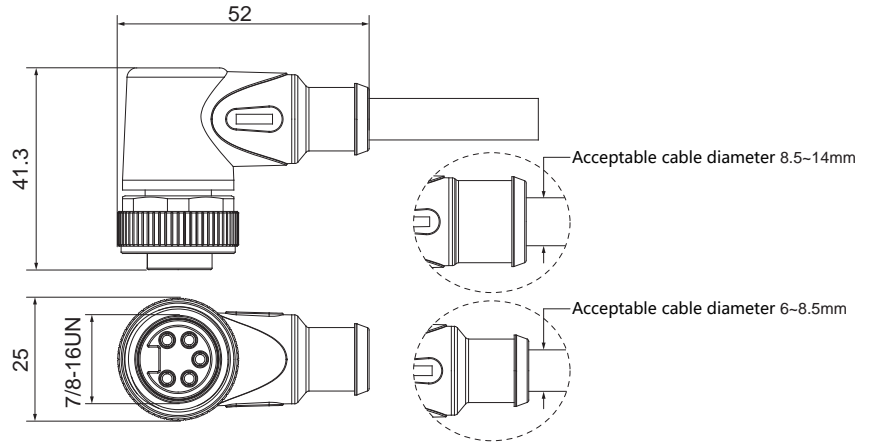
- Packing unit: 2M/10PCS/Bag, 5M/5PCS/Bag, 10M/1PCS/Bag
- Small package (200×150×100), Medium (330×250×150), Large (400×300×230) mm

Type No.	ID No.	Length	Angle	Current	Voltage	Wire gauge	Pinout	Wire colors
MF4-2/CC31	10250110	2M	Straight	4A	300V	3×0.5 (3×20AWG) Brown PVC, Shielded OD=7.7 No.: 1981065		1 = BU (DA) 2 = YE (DG) 3 = Shield 4 = WH (DB)
MF4-5/CC31	10250111	5M						
MF4-10/CC31	10250112	10M						
MF4-2/CC35	10250113	2M	Straight	4A	300V	3×0.5 (3×20AWG) Brown PVC, Shielded Drag chain, OD=8.0 No.: 1981066		1 = BU (DA) 2 = YE (DG) 3 = Shield 4 = WH (DB)
MF4-5/CC35	10250114	5M						
MF4-10/CC35	10250115	10M						
MF6-2/CC51	10250116	2M	Straight	4A	300V	3×0.5+2×0.65 (3×20+2×19AWG) Brown PVC, Shielded OD=12.0 No.: 1981067		1 = BU(DA) 2 = WH (DB) 3 = YE (DG) 4 = RD (V+) 5 = BK (V-) 6 = Drain(Shield)
MF6-5/CC51	10250117	5M						
MF6-10/CC51	10250118	10M						

* 7/8"-16UN pre-moulding connector, CC-Link communication protocol, Standard cable lengths are 2/5/10M, Consult factory for other lengths. *

M8 M12 M16 M23 7/8" 分支器&分线盒 阀式连接器 E-Net & P-Net Profibus-DP DeviceNet CC-LINK

7/8" Right angle Female, Pre-moulding connector, CC-Link cable



Technical data

- Plug body: TPU/Yellow
- Coupling nut: Zinc/Nickel-plated
- Contact carrier: TPU/Black
- Pin: Brass/Gold-plated
- O-ring: FPM/FKM
- Insulation resistance: $\geq 100M\Omega$
- Forward resistance: $\leq 5m\Omega$
- Degree of pollution: 3
- Ambient temperature: $-25\sim +85^{\circ}C$
- Degree of protection: IP67
- Plug: 7/8"-16UN
- Insertion/withdrawal cycles: ≥ 100
- Torque: 1.5 Nm (7/8 Plug connector)
- Cable: Refer to cable specification for detailed data

Key Commercial Data

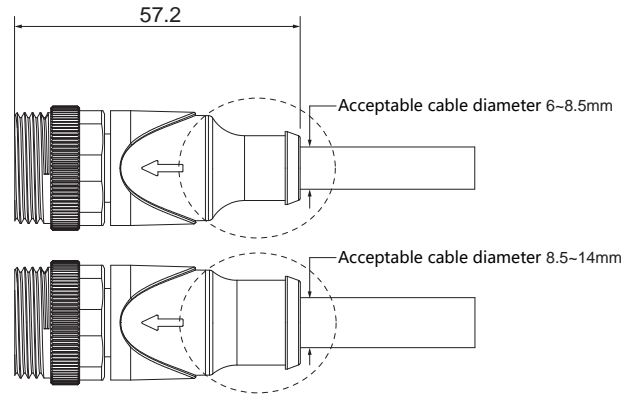
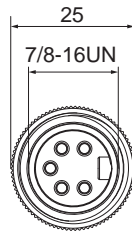
- Packing unit: 2M/10PCS/Bag, 5M/5PCS/Bag, 10M/1PCS/Bag
- Small package (200×150×100), Medium (330×250×150), Large (400×300×230) mm

Type No.	ID No.	Length	Angle	Current	Voltage	Wire gauge	Pinout	Wire colors
MWF4-2/CC31	10250119	2M	Right angle	4A	300V	3×0.5 (3×20AWG) Brown PVC, Shielded OD=7.7 No.: 1981065		1 = BU (DA) 2 = YE (DG) 3 = Shield 4 = WH (DB)
MWF4-5/CC31	10250120	5M						
MWF4-10/CC31	10250121	10M						
MWF4-2/CC35	10250122	2M	Right angle	4A	300V	3×0.5 (3×20AWG) Brown PVC, Shielded Drag chain, OD=8.0 No.: 1981066		1 = BU (DA) 2 = YE (DG) 3 = Shield 4 = WH (DB)
MWF4-5/CC35	10250123	5M						
MWF4-10/CC35	10250124	10M						
MWF6-2/CC51	10250125	2M	Right angle	4A	300V	3×0.5+2×0.65 (3×20+2×19AWG) Brown PVC, Shielded OD=12.0 No.: 1981067		1 = BU(DA) 2 = WH (DB) 3 = YE (DG) 4 = RD (V+) 5 = BK (V-) 6 = Drain(Shield)
MWF6-5/CC51	10250126	5M						
MWF6-10/CC51	10250127	10M						

* 7/8"-16UN pre-moulding connector, CC-Link communication protocol, Standard cable lengths are 2/5/10M, Consult factory for other lengths *

M8 M12 7/8" M16 M23 DeviceNet Profibus-DP E-Net & P-Net 分支器&分线盒 阀式连接器 CC-LINK

7/8" Male, Pre-moulding connector, CC-Link cable



Technical data

- Plug body: TPU/Yellow
- Coupling nut: Zinc/Nickel-plated
- Contact carrier: TPU/Black
- Pin: Brass/Gold-plated
- O-ring: FPM/FKM
- Insulation resistance: $\geq 100M\Omega$
- Forward resistance: $\leq 5m\Omega$
- Degree of pollution: 3
- Ambient temperature: $-25\sim +85^{\circ}C$
- Degree of protection: IP67
- Plug: 7/8"-16UN
- Insertion/withdrawal cycles: ≥ 100
- Torque: 1.5 Nm (7/8 Plug connector)
- Cable: Refer to cable specification for detailed data

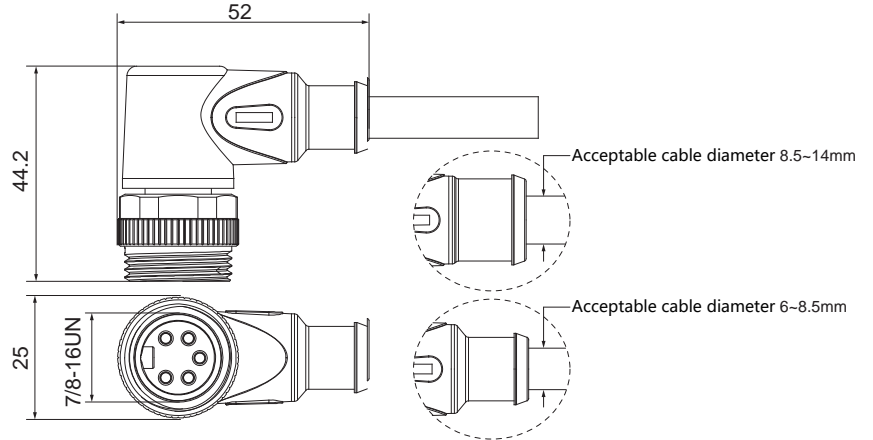
Key Commercial Data

- Packing unit: 2M/10PCS/Bag, 5M/5PCS/Bag, 10M/1PCS/Bag
- Small package (200×150×100), Medium (330×250×150), Large (400×300×230) mm

Type No.	ID No.	Length	Angle	Current	Voltage	Wire gauge	Pinout	Wire colors
MM4-2/CC31	10250128	2M	Straight	4A	300V	3×0.5 (3×20AWG) Brown PVC, Shielded OD=7.7 No.: 1981065		1 = BU (DA) 2 = YE (DG) 3 = Shield 4 = WH (DB)
MM4-5/CC31	10250129	5M						
MM4-10/CC31	10250130	10M						
MM4-2/CC35	10250131	2M	Straight	4A	300V	3×0.5 (3×20AWG) Brown PVC, Shielded Drag chain, OD=8.0 No.: 1981066		1 = BU (DA) 2 = YE (DG) 3 = Shield 4 = WH (DB)
MM4-5/CC35	10250132	5M						
MM4-10/CC35	10250133	10M						
MM6-2/CC51	10250134	2M	Straight	4A	300V	3×0.5+2×0.65 (3×20+2×19AWG) Brown PVC, Shielded OD=12.0 No.: 1981067		1 = BU(DA) 2 = WH (DB) 3 = YE (DG) 4 = RD (V+) 5 = BK (V-) 6 = Drain(Shield)
MM6-5/CC51	10250135	5M						
MM6-10/CC51	10250136	10M						

* 7/8"-16UN pre-moulding connector, CC-Link communication protocol, Standard cable lengths are 2/5/10M, Consult factory for other lengths. *

7/8" Right angle Male, Pre-moulding connector, CC-Link cable



Technical data

- Plug body: TPU/Yellow
- Coupling nut: Zinc/Nickel-plated
- Contact carrier: TPU/Black
- Pin: Brass/Gold-plated
- O-ring: FPM/FKM
- Insulation resistance: $\geq 100M\Omega$
- Forward resistance: $\leq 5m\Omega$
- Degree of pollution: 3
- Ambient temperature: $-25\sim +85^{\circ}C$
- Degree of protection: IP67
- Plug: 7/8"-16UN
- Insertion/withdrawal cycles: ≥ 100
- Torque: 1.5 Nm (7/8 Plug connector)
- Cable: Refer to cable specification for detailed data

Key Commercial Data

- Packing unit: 2M/10PCS/Bag, 5M/5PCS/Bag, 10M/1PCS/Bag
- Small package (200×150×100), Medium (330×250×150), Large (400×300×230) mm

Type No.	ID No.	Length	Angle	Current	Voltage	Wire gauge	Pinout	Wire colors
MWM4-2/CC31	10250137	2M	Right angle	4A	300V	3×0.5 (3×20AWG) Brown PVC, Shielded OD=7.7 No.: 1981065		1 = BU (DA) 2 = YE (DG) 3 = Shield 4 = WH (DB)
MWM4-5/CC31	10250138	5M						
MWM4-10/CC31	10250139	10M						
MWM4-2/CC35	10250140	2M	Right angle	4A	300V	3×0.5 (3×20AWG) Brown PVC, Shielded Drag chain, OD=8.0 No.: 1981066		1 = BU (DA) 2 = YE (DG) 3 = Shield 4 = WH (DB)
MWM4-5/CC35	10250141	5M						
MWM4-10/CC35	10250142	10M						
MWM6-2/CC51	10250143	2M	Right angle	4A	300V	3×0.5+2×0.65 (3×20+2×19AWG) Brown PVC, Shielded OD=12.0 No.: 1981067		1 = BU(DA) 2 = WH (DB) 3 = YE (DG) 4 = RD (V+) 5 = BK (V-) 6 = Drain(Shield)
MWM6-5/CC51	10250144	5M						
MWM6-10/CC51	10250145	10M						

* 7/8"-16UN pre-moulding connector, CC-Link communication protocol, Standard cable lengths are 2/5/10M, Consult factory for other lengths *

M8

M12

7/8"

M16

M23

分支器&分线盒

阀式连接器

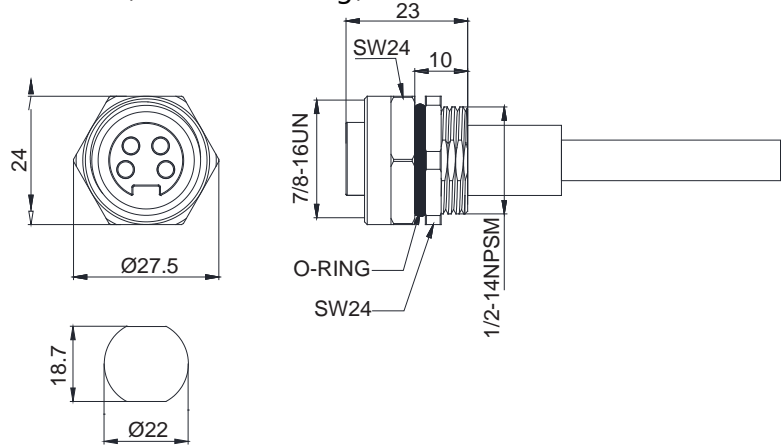
E-Net & P-Net

Profibus-DP

DeviceNet

CC-LINK

7/8" Female, Pre-moulding receptacle connector, Front mounting, CC-Link cable



Technical data

- Housing material: Zinc/Nickel-plated
- Insulation resistance: $\geq 100M\Omega$
- Plug: 7/8"-16UN
- Encapsulating material: TPU/Yellow
- Forward resistance: $\leq 5m\Omega$
- Insertion/withdrawal cycles: ≥ 100
- Contact carrier: TPU/Black
- Degree of pollution: 3
- Torque: 1.5 Nm (7/8 Plug connector)
- Pin: Brass/Gold-plated
- Ambient temperature: $-25\sim +85^{\circ}C$
- Cable: Refer to cable specification for detailed data
- O-ring: FPM/FKM
- Degree of protection: IP67

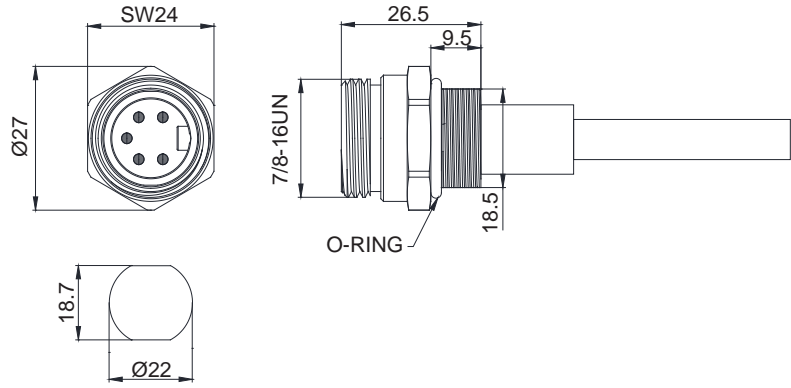
Key Commercial Data

- Packing unit: 2M/10PCS/Bag, 5M/5PCS/Bag, 10M/1PCS/Bag
- Small package (200×150×100), Medium (330×250×150), Large (400×300×230) mm

Type No.	ID No.	Length	Current	Voltage	Wire gauge	Pinout	Wire colors
FMF4F-2/14.5NPSM/CC31	12250076	2M	4A	300V	3×0.5 (3×20AWG) Brown PVC, Shielded OD=7.7 No.: 1981065		1 = BU (DA) 2 = YE (DG) 3 = Shield 4 = WH (DB)
FMF4F-5/14.5NPSM/CC31	12250077	5M					
FMF4F-10/14.5NPSM/CC31	12250078	10M					
FMF4F-2/14.5NPSM/CC35	12250079	2M	4A	300V	3×0.5 (3×20AWG) Brown PVC, Shielded Drag chain, OD=8.0 No.: 1981066		1 = BU (DA) 2 = YE (DG) 3 = Shield 4 = WH (DB)
FMF4F-5/14.5NPSM/CC35	12250080	5M					
FMF4F-10/14.5NPSM/CC35	12250081	10M					
FMF6F-2/14.5NPSM/CC51	12250082	2M	4A	300V	3×0.5+2×0.65 (3×20+2×19AWG) Brown PVC, Shielded OD=12.0 No.: 1981067		1 = BU(DA) 2 = WH (DB) 3 = YE (DG) 4 = RD (V+) 5 = BK (V-) 6 = Drain(Shield)
FMF6F-5/14.5NPSM/CC51	12250083	5M					
FMF6F-10/14.5NPSM/CC51	12250084	10M					

* 7/8"-16UN pre-moulding receptacle connector, CC-Link communication protocol, Standard cable lengths are 2/5/10M, Consult factory for other lengths *

7/8" Male, Pre-moulding receptacle connector, Front mounting, CC-Link cable



Technical data

- Housing material: Zinc/Nickel-plated
- Insulation resistance: $\geq 100M\Omega$
- Plug: 7/8"-16UN
- Encapsulating material: TPU/Yellow
- Forward resistance: $\leq 5m\Omega$
- Insertion/withdrawal cycles: ≥ 100
- Contact carrier: TPU/Black
- Degree of pollution: 3
- Torque: 1.5 Nm (7/8 Plug connector)
- Pin: Brass/Gold-plated
- Ambient temperature: $-25\sim +85^{\circ}C$
- Cable: Refer to cable specification for detailed data
- O-ring: FPM/FKM
- Degree of protection: IP67

Key Commercial Data

- Packing unit: 2M/10PCS/Bag, 5M/5PCS/Bag, 10M/1PCS/Bag
- Small package (200×150×100), Medium (330×250×150), Large (400×300×230) mm

Type No.	ID No.	Length	Current	Voltage	Wire gauge	Pinout	Wire colors
FMM4F-2/14.5NPSM/CC31	12250085	2M	4A	300V	3×0.5 (3×20AWG) Brown PVC, Shielded OD=7.7 No.: 1981065		1 = BU (DA) 2 = YE (DG) 3 = Shield 4 = WH (DB)
FMM4F-5/14.5NPSM/CC31	12250086	5M					
FMM4F-10/14.5NPSM/CC31	12250087	10M					
FMM4F-2/14.5NPSM/CC35	12250088	2M	4A	300V	3×0.5 (3×20AWG) Brown PVC, Shielded Drag chain, OD=8.0 No.: 1981066		1 = BU (DA) 2 = YE (DG) 3 = Shield 4 = WH (DB)
FMM4F-5/14.5NPSM/CC35	12250089	5M					
FMM4F-10/14.5NPSM/CC35	12250090	10M					
FMM6F-2/14.5NPSM/CC51	12250091	2M	4A	300V	3×0.5+2×0.65 (3×20+2×19AWG) Brown PVC, Shielded OD=12.0 No.: 1981067		1 = BU(DA) 2 = WH (DB) 3 = YE (DG) 4 = RD (V+) 5 = BK (V-) 6 = Drain(Shield)
FMM6F-5/14.5NPSM/CC51	12250092	5M					
FMM6F-10/14.5NPSM/CC51	12250093	10M					

* 7/8"-16UN pre-moulding receptacle connector, CC-Link communication protocol, Standard cable lengths are 2/5/10M, Consult factory for other lengths *

M8

M12

7/8"

M16

M23

分支器 & 分线盒

阀式连接器

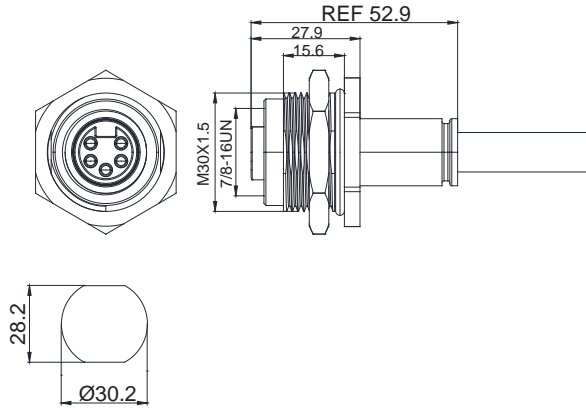
E-Net & P-Net

Profibus-DP

DeviceNet

CC-LINK

7/8" Female, Pre-moulding receptacle connector, Rear mounting, CC-Link cable



Technical data

- Housing material: Zinc/Nickel-plated
- Insulation resistance: $\geq 100M\Omega$
- Plug: 7/8"-16UN
- Encapsulating material: TPU/Yellow
- Forward resistance: $\leq 5m\Omega$
- Insertion/withdrawal cycles: ≥ 100
- Contact carrier: TPU/Black
- Degree of pollution: 3
- Torque: 1.5 Nm (7/8 Plug connector)
- Pin: Brass/Gold-plated
- Ambient temperature: $-25\sim +85^{\circ}C$
- Cable: Refer to cable specification for detailed data
- O-ring: FPM/FKM
- Degree of protection: IP67

Key Commercial Data

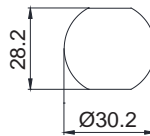
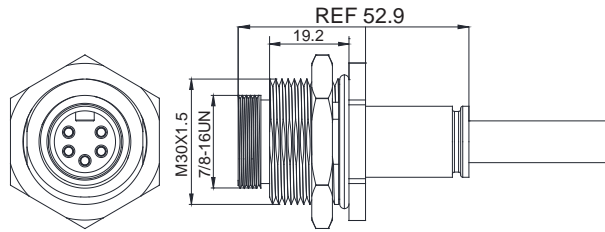
- Packing unit: 2M/10PCS/Bag, 5M/5PCS/Bag, 10M/1PCS/Bag
- Small package (200×150×100) , Medium (330×250×150) , Large (400×300×230) mm

Type No.	ID No.	Length	Current	Voltage	Wire gauge	Pinout	Wire colors
FMF4R-2/M30/CC31	12250094	2M	4A	300V	3×0.5 (3×20AWG) Brown PVC, Shielded OD=7.7 No.: 1981065		1 = BU (DA) 2 = YE (DG) 3 = Shield 4 = WH (DB)
FMF4R-5/M30/CC31	12250095	5M					
FMF4R-10/M30/CC31	12250096	10M					
FMF4R-2/M30/CC35	12250097	2M	4A	300V	3×0.5 (3×20AWG) Brown PVC, Shielded Drag chain, OD=8.0 No.: 1981066		1 = BU (DA) 2 = YE (DG) 3 = Shield 4 = WH (DB)
FMF4R-5/M30/CC35	12250098	5M					
FMF4R-10/M30/CC35	12250099	10M					
FMF6R-2/M30/CC51	12250100	2M	4A	300V	3×0.5+2×0.65 (3×20+2×19AWG) Brown PVC, Shielded OD=12.0 No.: 1981067		1 = BU(DA) 2 = WH (DB) 3 = YE (DG) 4 = RD (V+) 5 = BK (V-) 6 = Drain(Shield)
FMF6R-5/M30/CC51	12250101	5M					
FMF6R-10/M30/CC51	12250102	10M					

* 7/8"-16UN pre-moulding receptacle connector, CC-Link communication protocol, Standard cable lengths are 2/5/10M, Consult factory for other lengths *

M8, M12, 7/8", M16, M23, 分支器 & 分线盒, 阀式连接器, Profibus-DP, E-Net & P-Net, DeviceNet, CC-LINK

7/8" Male, Pre-moulding receptacle connector, Rear mounting, CC-Link cable



Technical data

- Housing material: Zinc/Nickel-plated
- Insulation resistance: $\geq 100M\Omega$
- Plug: 7/8"-16UN
- Encapsulating material: TPU/Yellow
- Forward resistance: $\leq 5m\Omega$
- Insertion/withdrawal cycles: ≥ 100
- Contact carrier: TPU/Black
- Degree of pollution: 3
- Torque: 1.5 Nm (7/8 Plug connector)
- Pin: Brass/Gold-plated
- Ambient temperature: -25~+85°C
- Cable: Refer to cable specification for detailed data
- O-ring: FPM/FKM
- Degree of protection: IP67

Key Commercial Data

- Packing unit: 2M/10PCS/Bag, 5M/5PCS/Bag, 10M/1PCS/Bag
- Small package (200×150×100), Medium (330×250×150), Large (400×300×230) mm

Type No.	ID No.	Length	Current	Voltage	Wire gauge	Pinout	Wire colors
FMM4R-2/M30/CC31	12250103	2M	4A	300V	3×0.5 (3×20AWG) Brown PVC, Shielded OD=7.7 No.: 1981065		1 = BU (DA) 2 = YE (DG) 3 = Shield 4 = WH (DB)
FMM4R-5/M30/CC31	12250104	5M					
FMM4R-10/M30/CC31	12250105	10M					
FMM4R-2/M30/CC35	12250106	2M	4A	300V	3×0.5 (3×20AWG) Brown PVC, Shielded Drag chain, OD=8.0 No.: 1981066		1 = BU (DA) 2 = YE (DG) 3 = Shield 4 = WH (DB)
FMM4R-5/M30/CC35	12250107	5M					
FMM4R-10/M30/CC35	12250108	10M					
FMM6R-2/M30/CC51	12250109	2M	4A	300V	3×0.5+2×0.65 (3×20+2×19AWG) Brown PVC, Shielded OD=12.0 No.: 1981067		1 = BU(DA) 2 = WH (DB) 3 = YE (DG) 4 = RD (V+) 5 = BK (V-) 6 = Drain(Shield)
FMM6R-5/M30/CC51	12250110	5M					
FMM6R-10/M30/CC51	12250111	10M					

* 7/8"-16UN pre-moulding receptacle connector, CC-Link communication protocol, Standard cable lengths are 2/5/10M, Consult factory for other lengths *

M8

M12

7/8"

M16

M23

分支器及分线盒

阀式连接器

E-Net & P-Net

Profibus-DP

DeviceNet

CC-LINK

MARVITECH

AWG	MM ²
1	42
2	35
3	25
5	16
8	10
10	6
12	4
14	2.5
16	1.5
18	0.75
20	0.5
22	0.34
24	0.25
26	0.14
28	0.08
30	0.05